

[54] HIGH BACK OPEN ARM CHAIR

[75] Inventor: **Randall P. Buhk**, Wyoming, Mich.

[73] Assignee: **Steelcase Inc.**, Grand Rapids, Mich.

[*] Notice: The portion of the term of this patent subsequent to Oct. 23, 1993, has been disclaimed.

[**] Term: **14 Years**

[21] Appl. No.: **908,144**

[22] Filed: **May 22, 1978**

[51] Int. Cl. **D6—01**

[52] U.S. Cl. **D6/31**

[58] Field of Search **D6/26, 30, 31, 65, 66; 297/445; 248/188.7**

[56] **References Cited**

U.S. PATENT DOCUMENTS

- D. 245,886 9/1977 Wilson D6/31
- D. 253,206 10/1979 Buhk D6/31

OTHER PUBLICATIONS

Interiors, 5-1973, p. 89, Chair by Chromcraft.

Primary Examiner—Bruce W. Dunkins

Attorney, Agent, or Firm—Price, Heneveld, Huizenga & Cooper

[57] **CLAIM**

The ornamental design for high back open arm chair, substantially as shown and described.

DESCRIPTION

FIG. 1 is a perspective view of a chair made in accordance with the design of my invention;
 FIG. 2 is a front elevational view of the chair;
 FIG. 3 is a side elevational view of the chair;
 FIG. 4 is a rear elevational view of the chair;
 FIG. 5 is a top plan view of the chair;
 FIG. 6 is a bottom plan view of the chair;
 FIG. 7 is a rear perspective view of the chair;
 FIG. 8 is a perspective view of an alternative embodiment of my design in which a four-legged base is employed instead of a five-legged base;
 FIG. 9 is a front elevational view of an alternative embodiment of my design in which button tufting is used in the cushioning;
 FIG. 10 is a top plan view of the alternative embodiment of FIG. 9;
 FIG. 11 is a perspective view of another alternative embodiment of my design in which a differently styled base is employed;
 FIG. 12 is a generally rear perspective view of yet another alternative embodiment of my design wherein there is a demarcation between the upper portion of the chair back and the lower portion thereof;
 FIG. 13 is a side elevational view of the alternative embodiment chair shown in FIG. 12;
 FIG. 14 is a rear elevational view of the alternative embodiment chair shown in FIG. 12; and
 FIG. 15 is a bottom plan view of the alternative embodiment chair shown in FIG. 12.



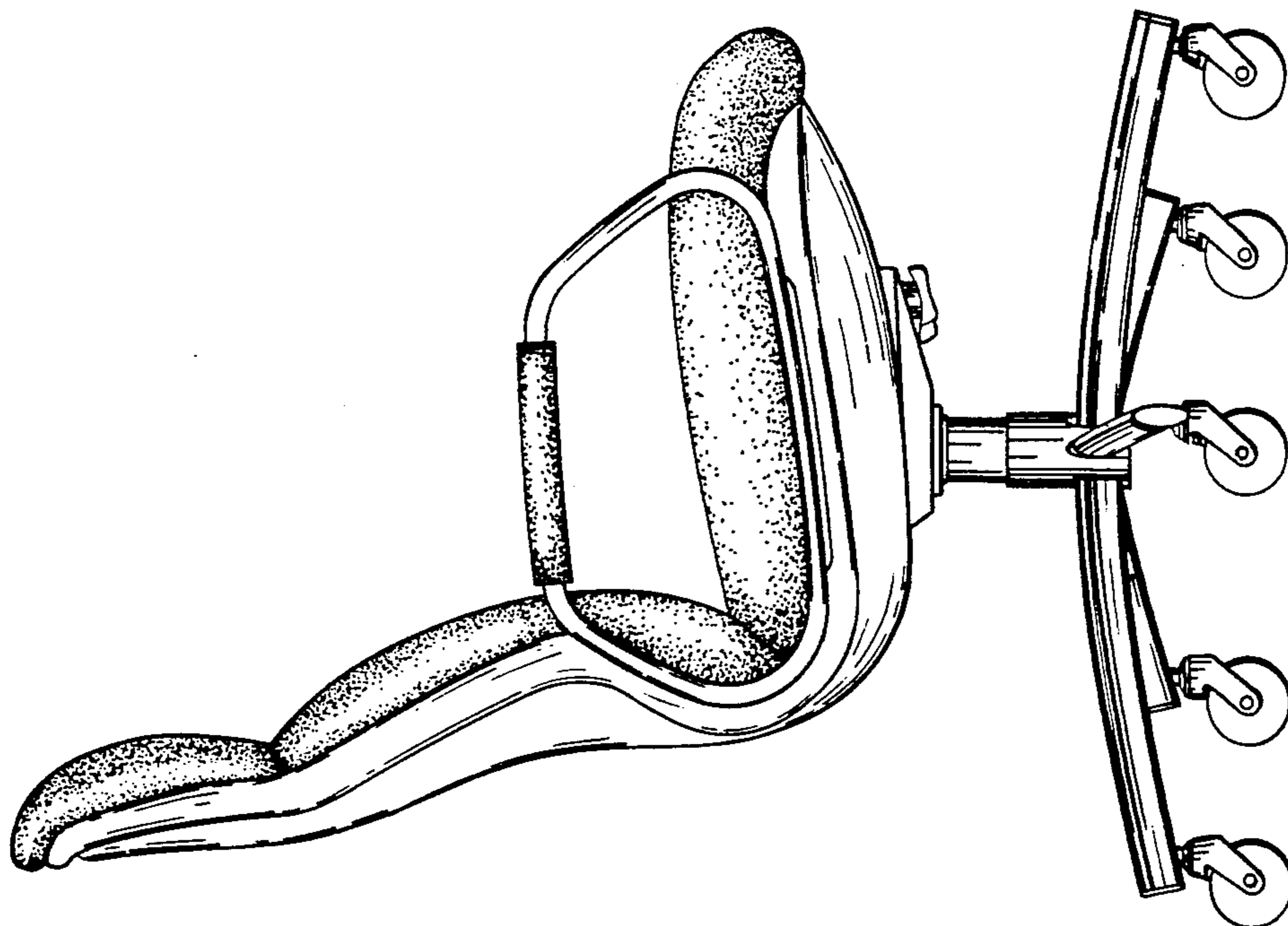


FIG. 3.

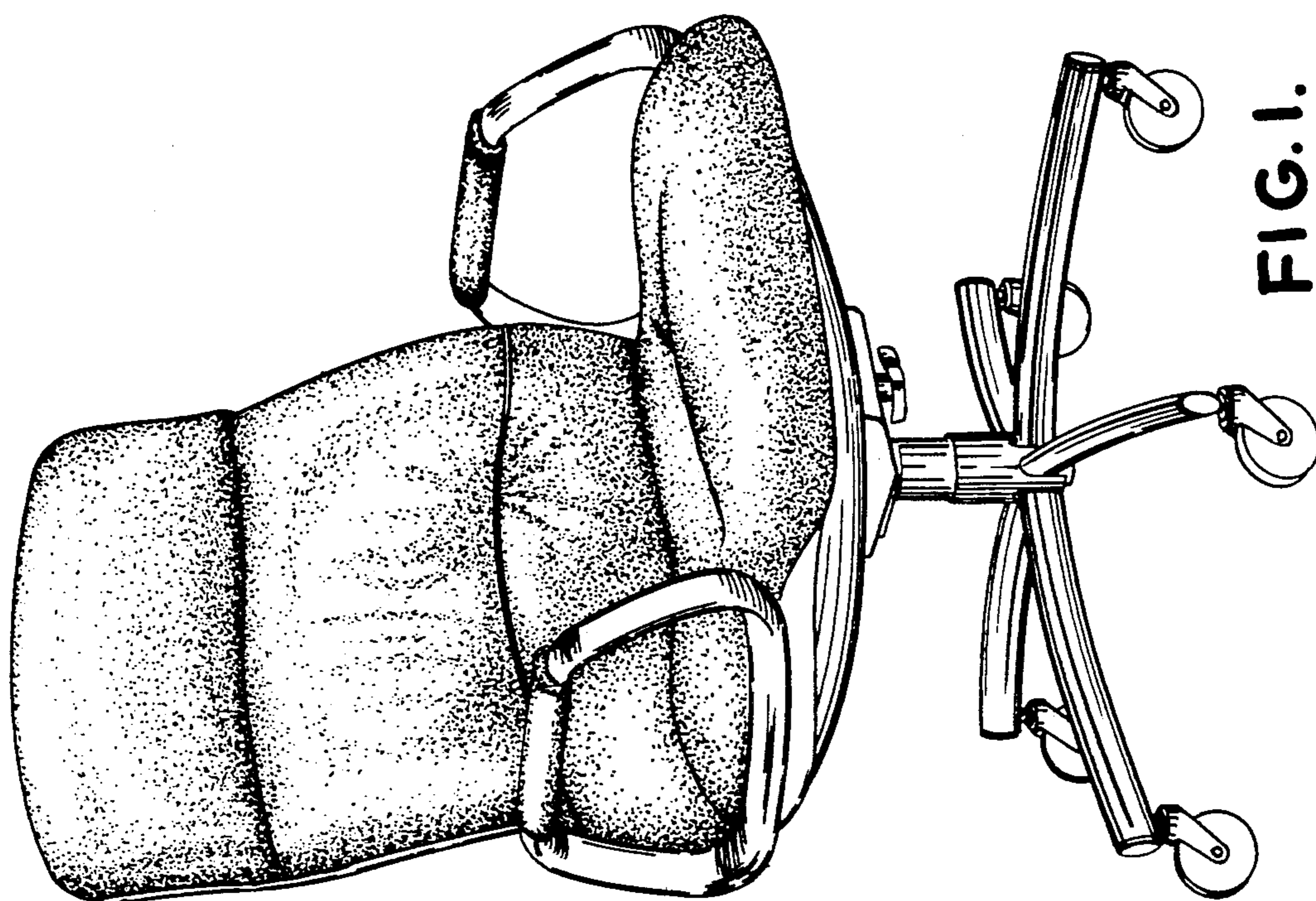


FIG. 1.

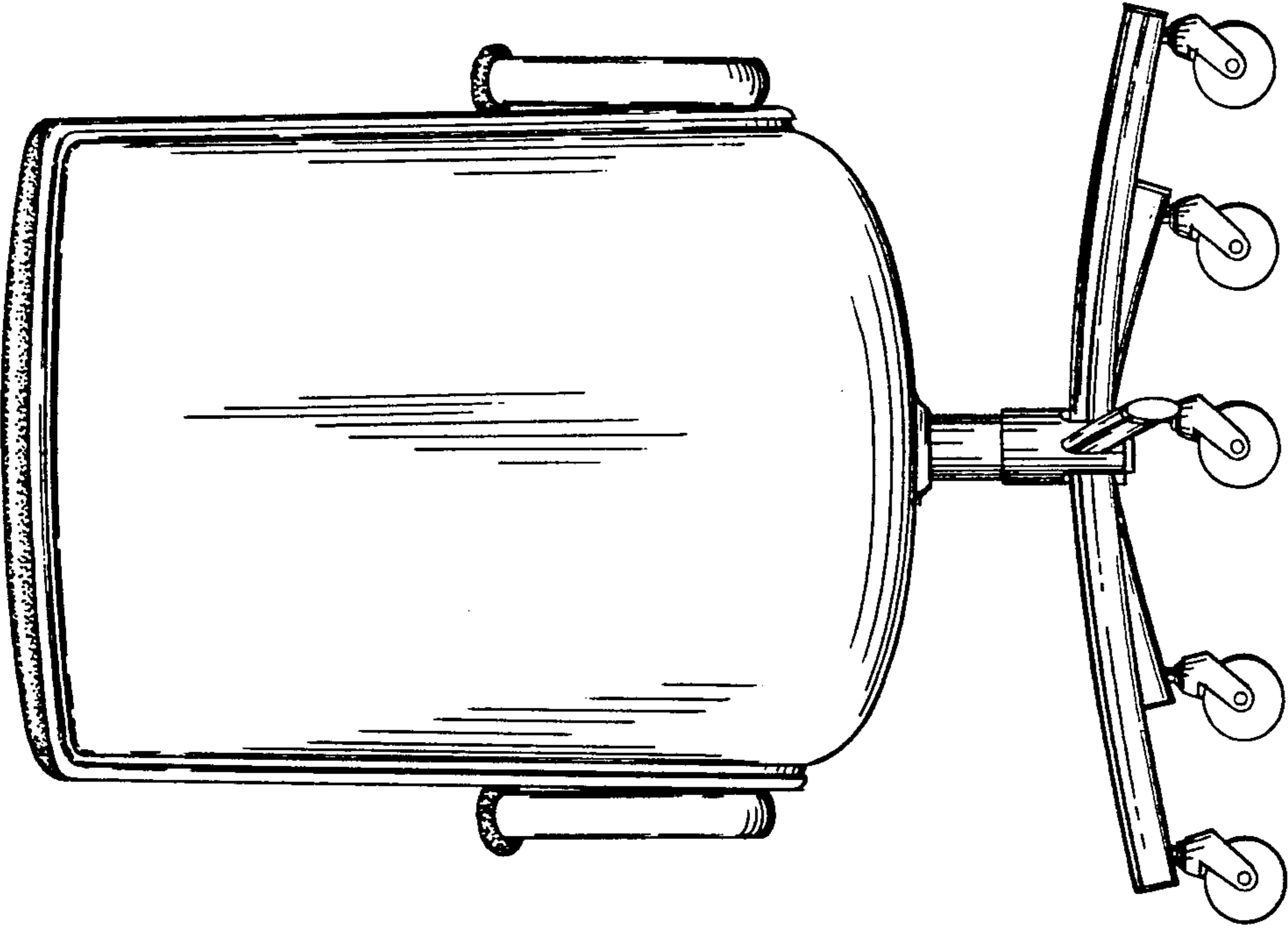


FIG. 4.

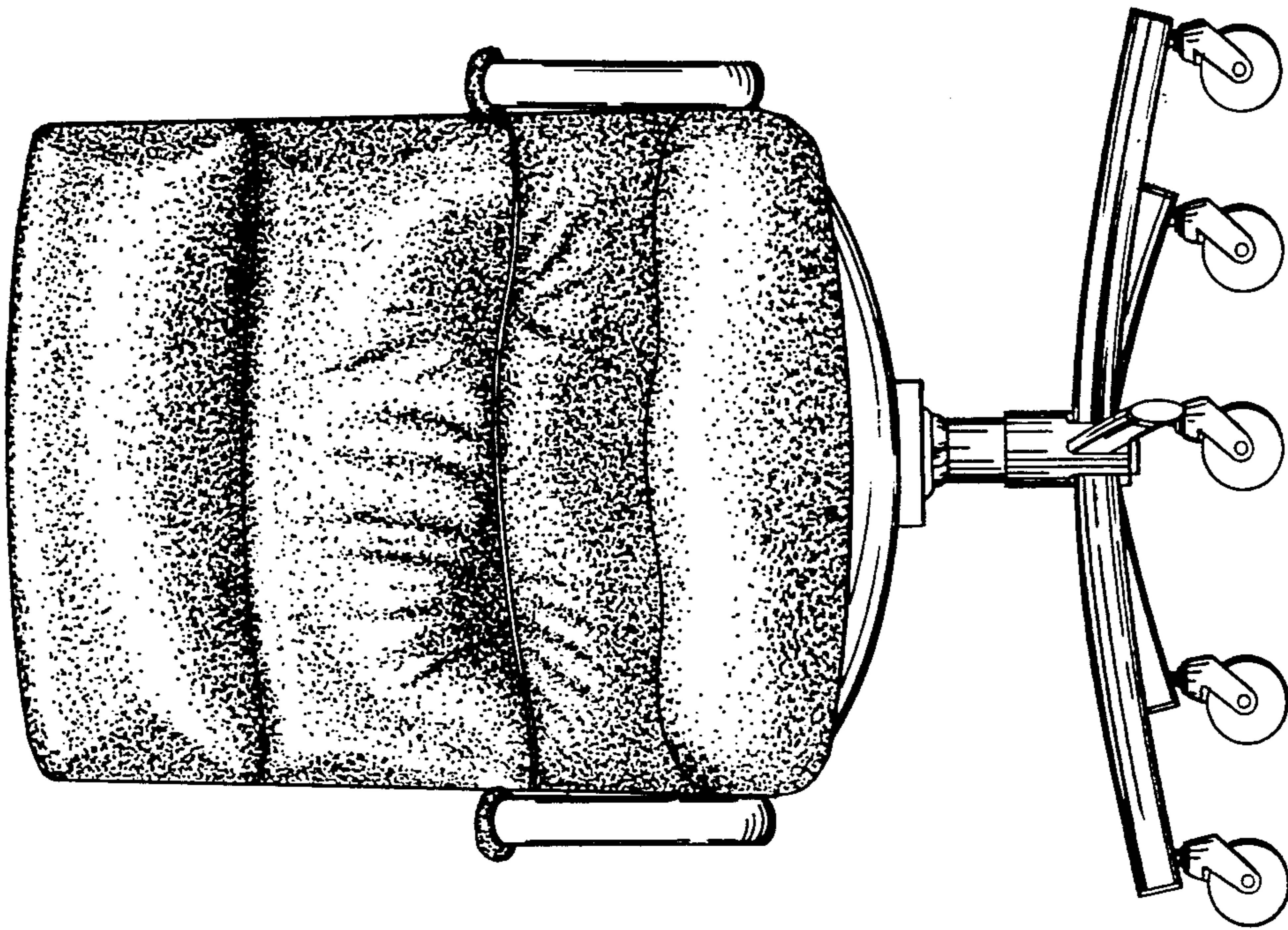


FIG. 2.

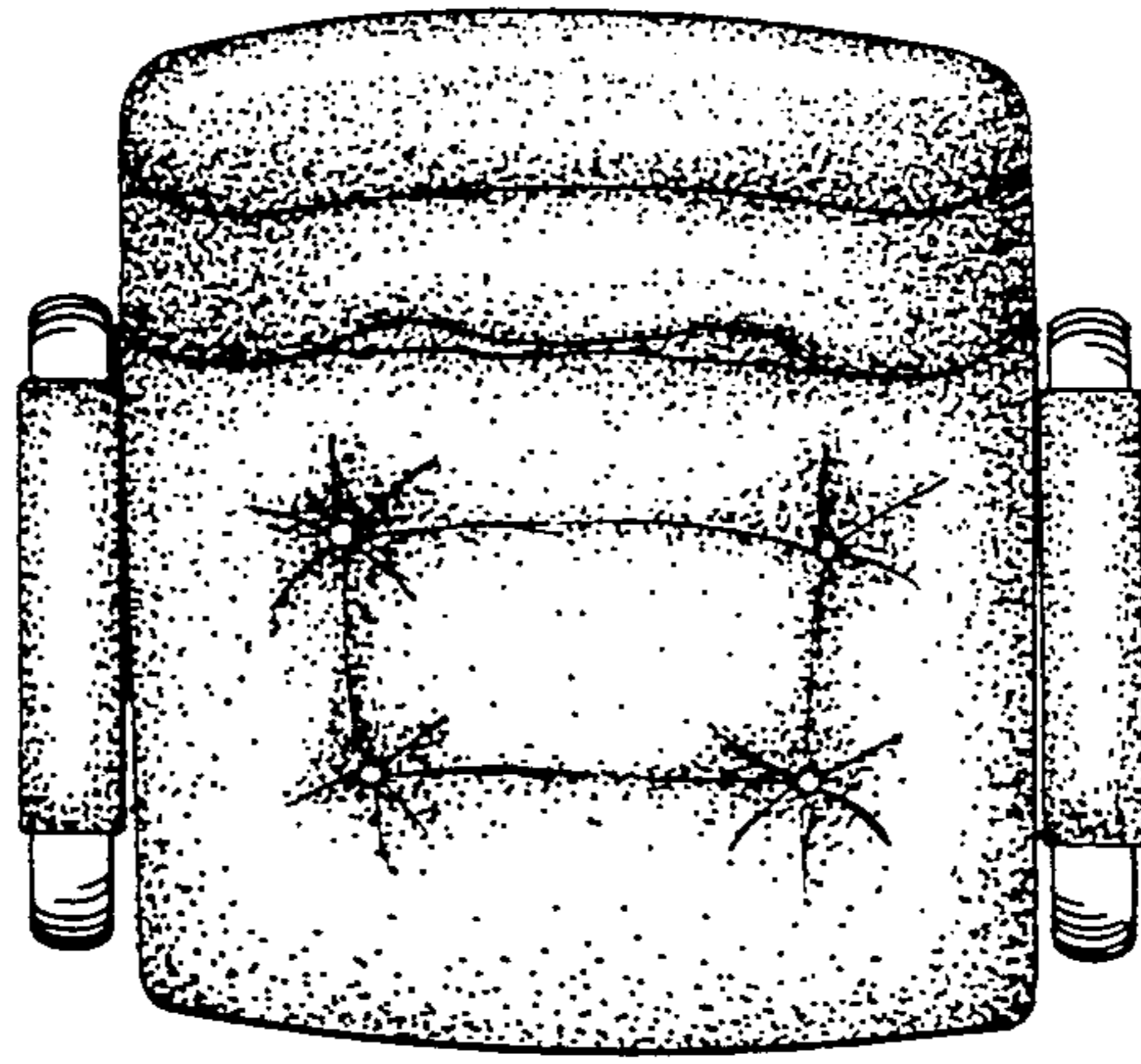


FIG. 10

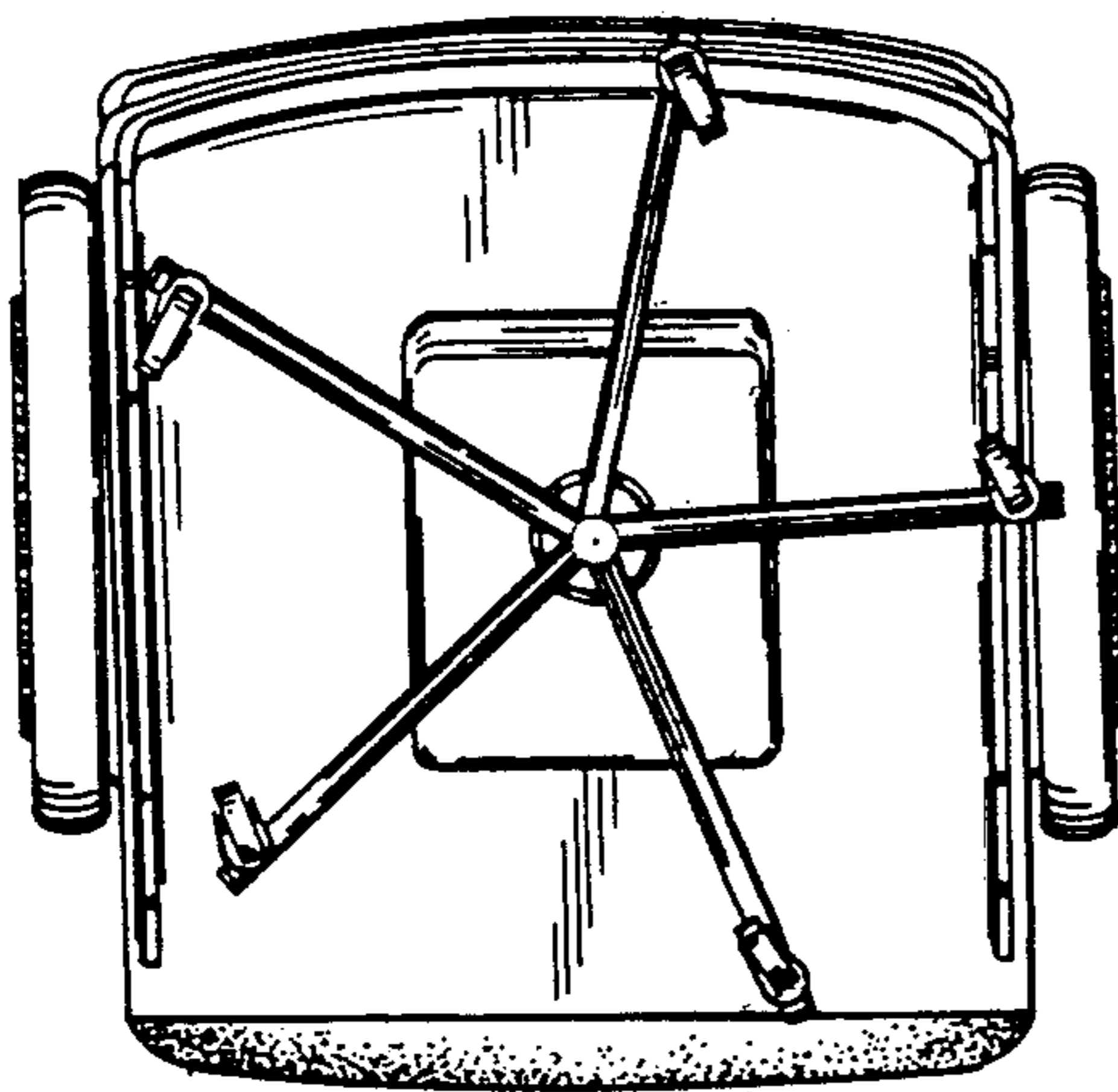


FIG. 15.

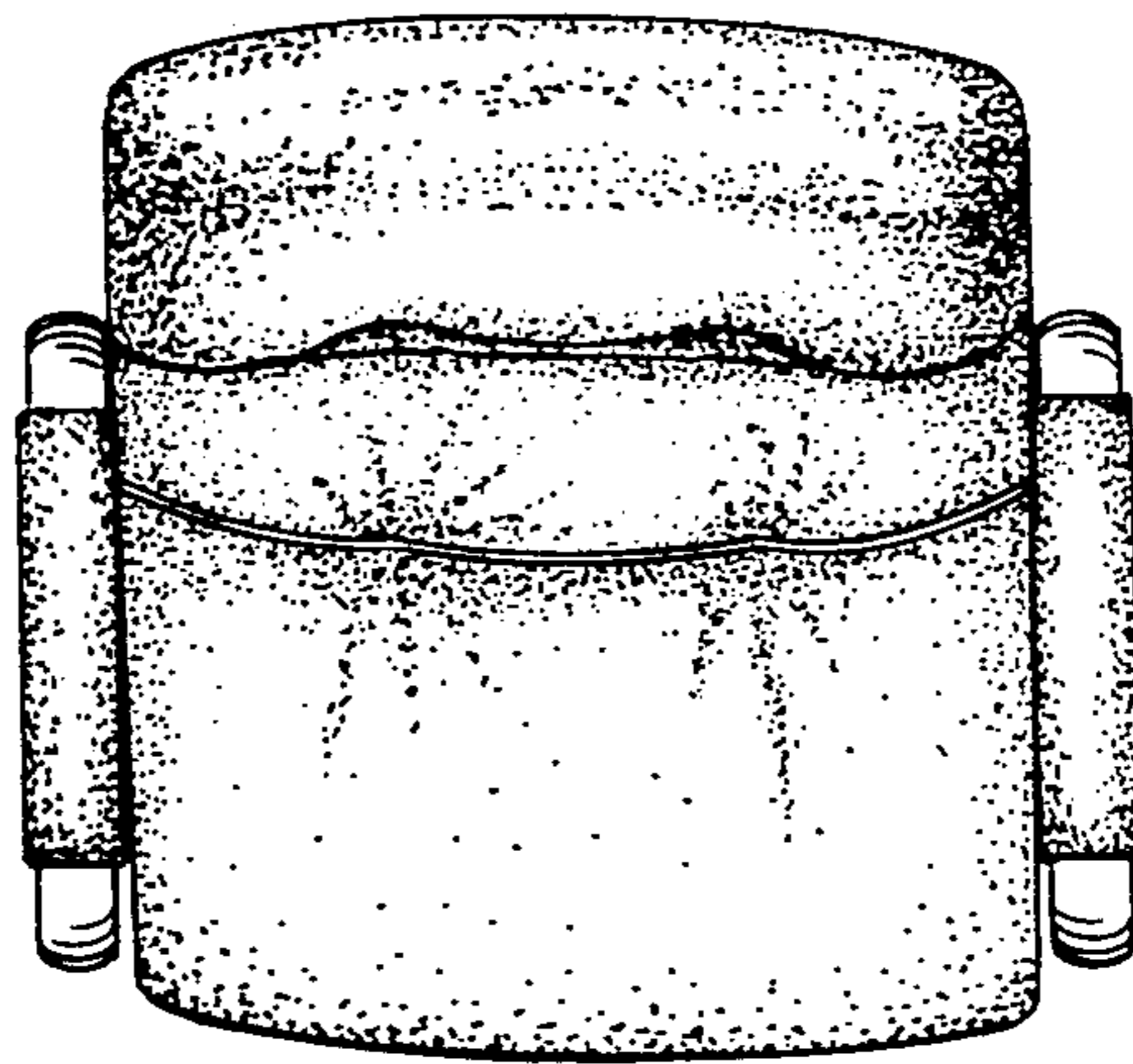


FIG. 5.

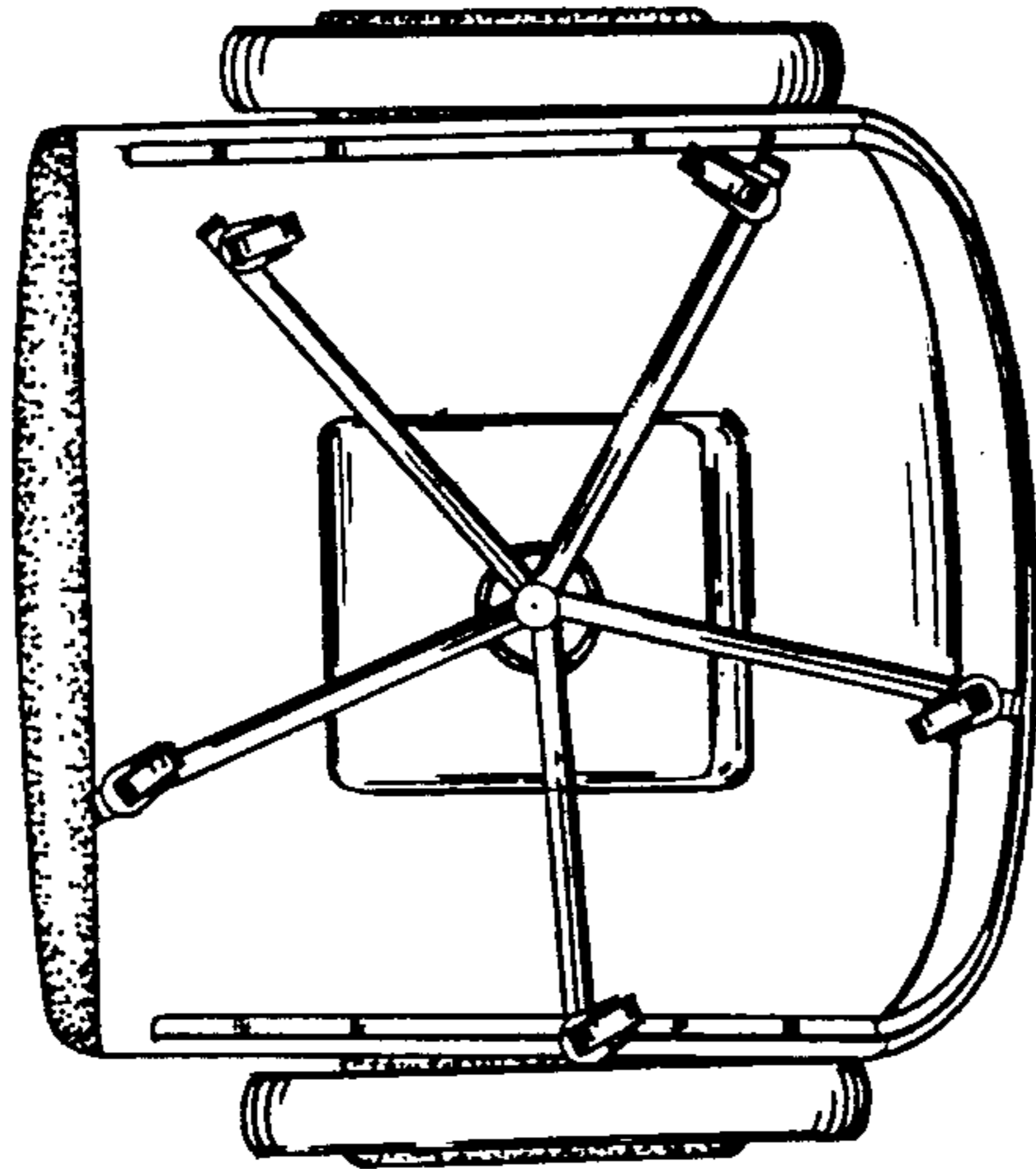


FIG. 6.

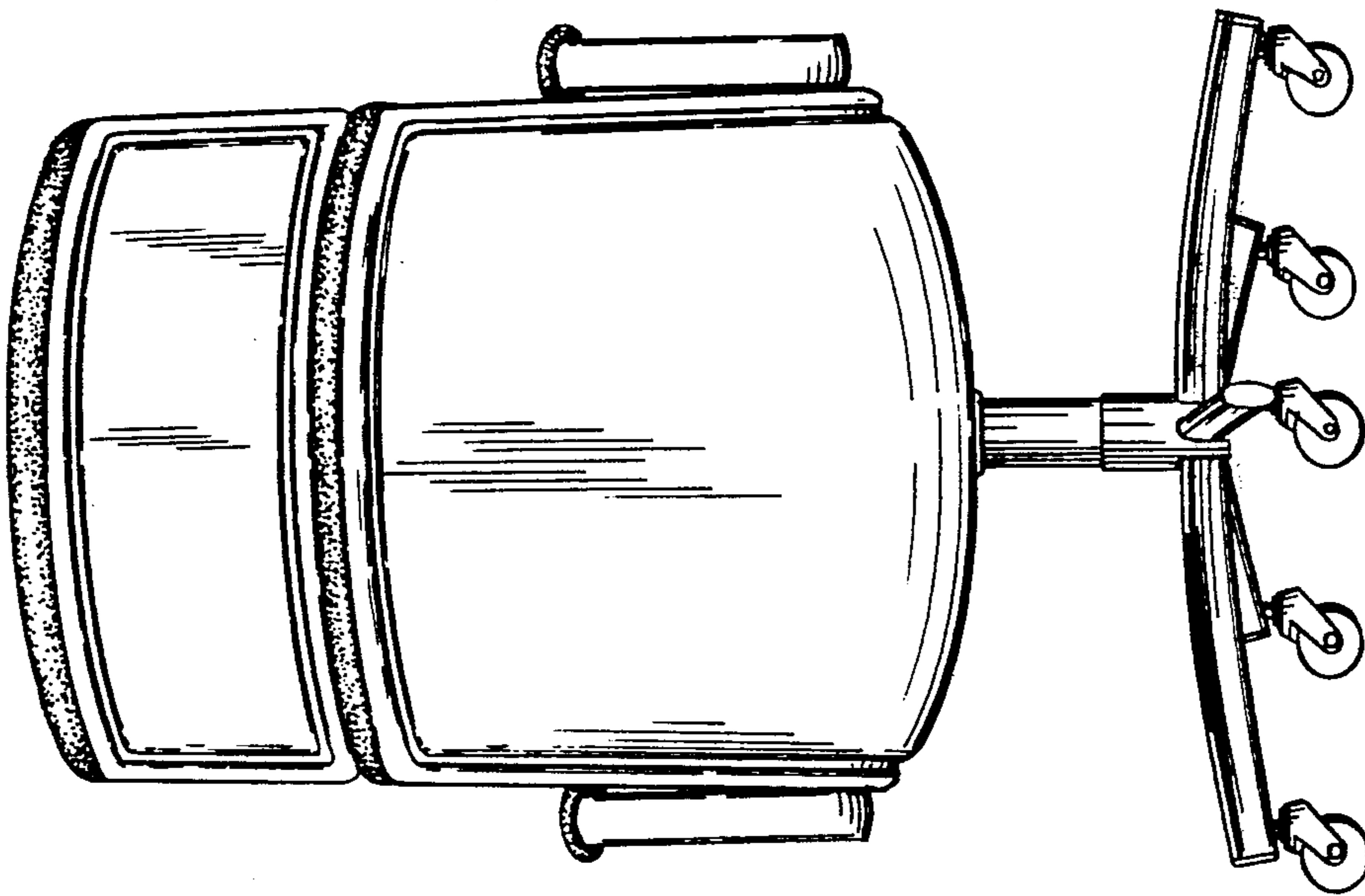


FIG. 14.

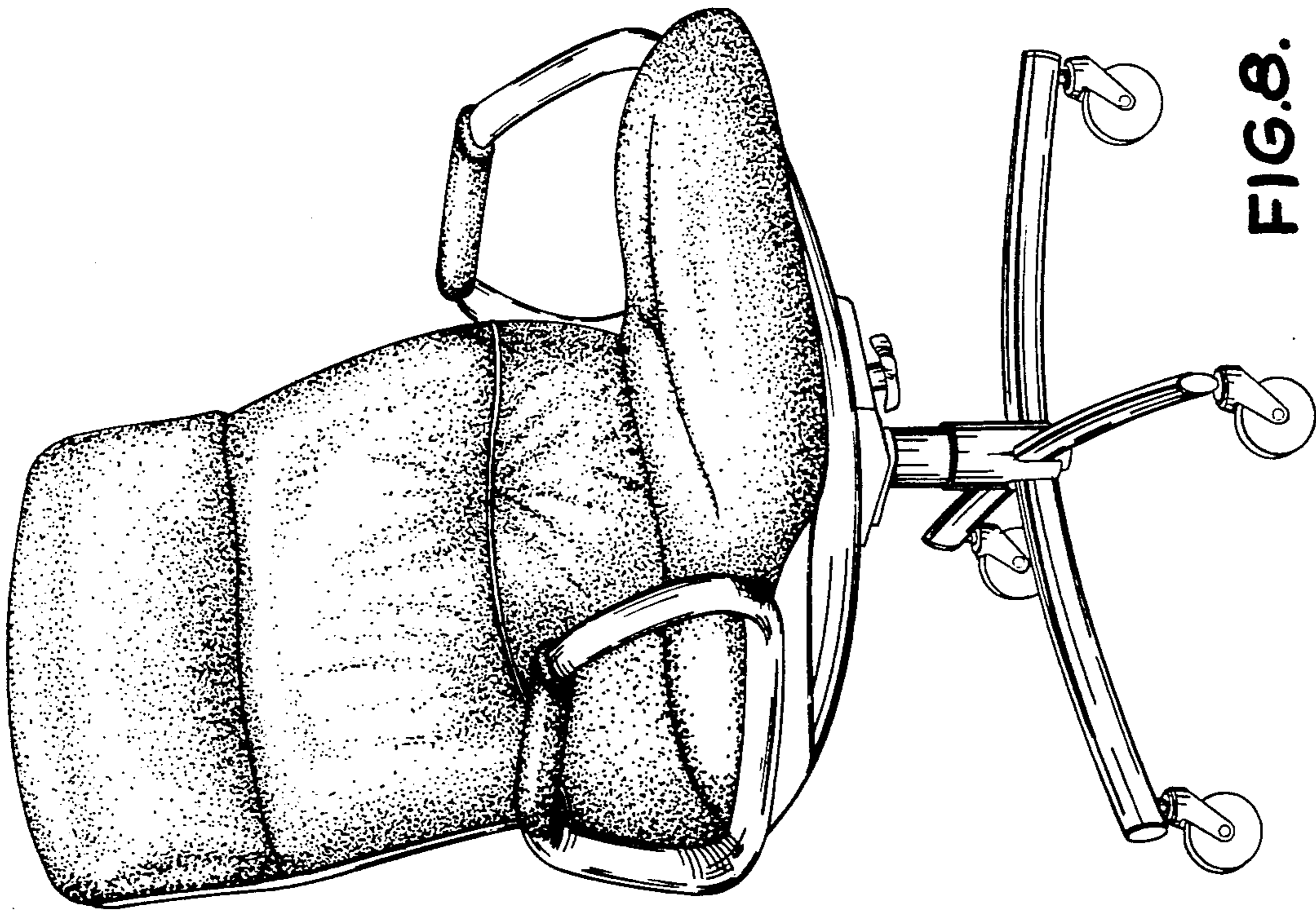


FIG. 8.

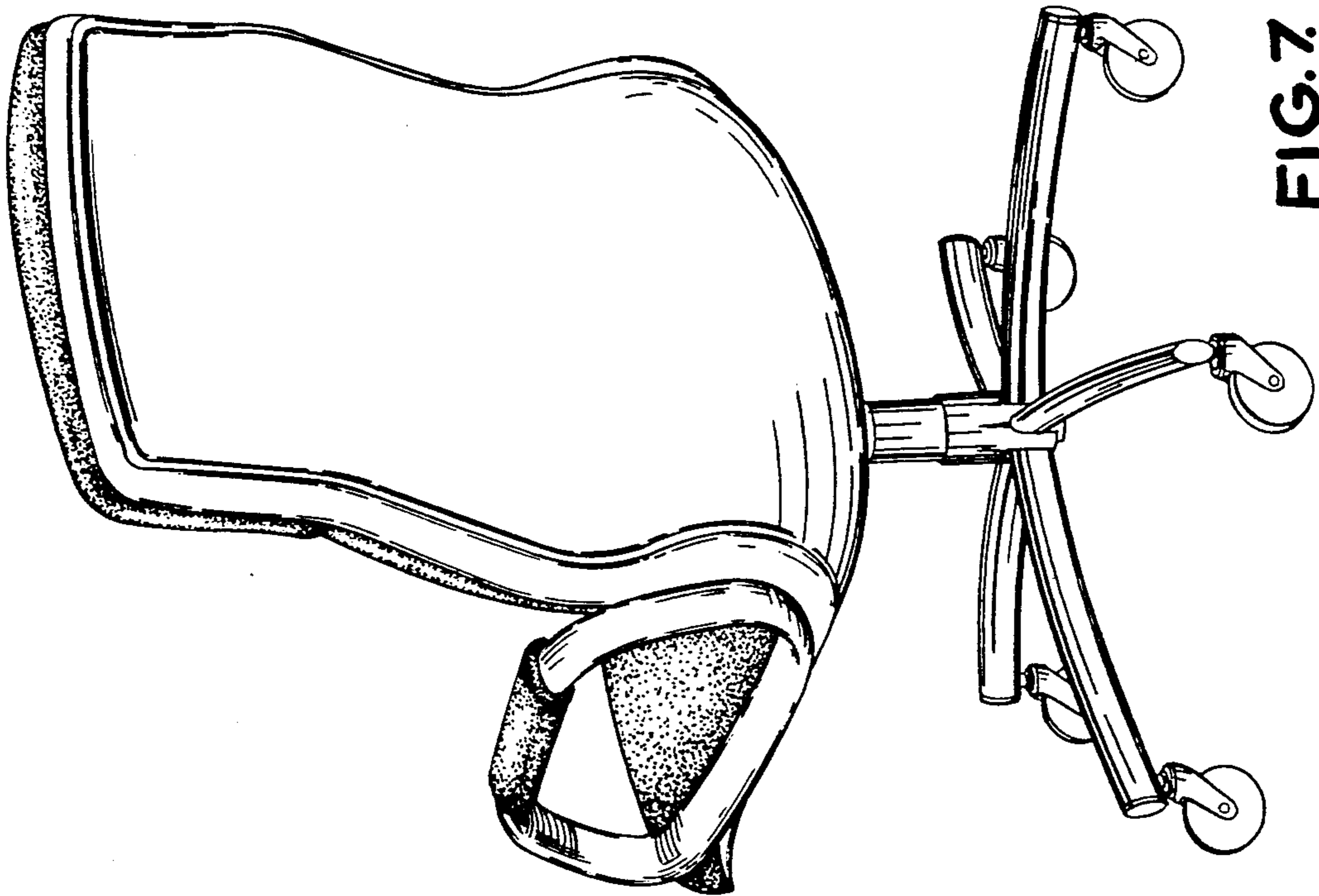


FIG. 7.

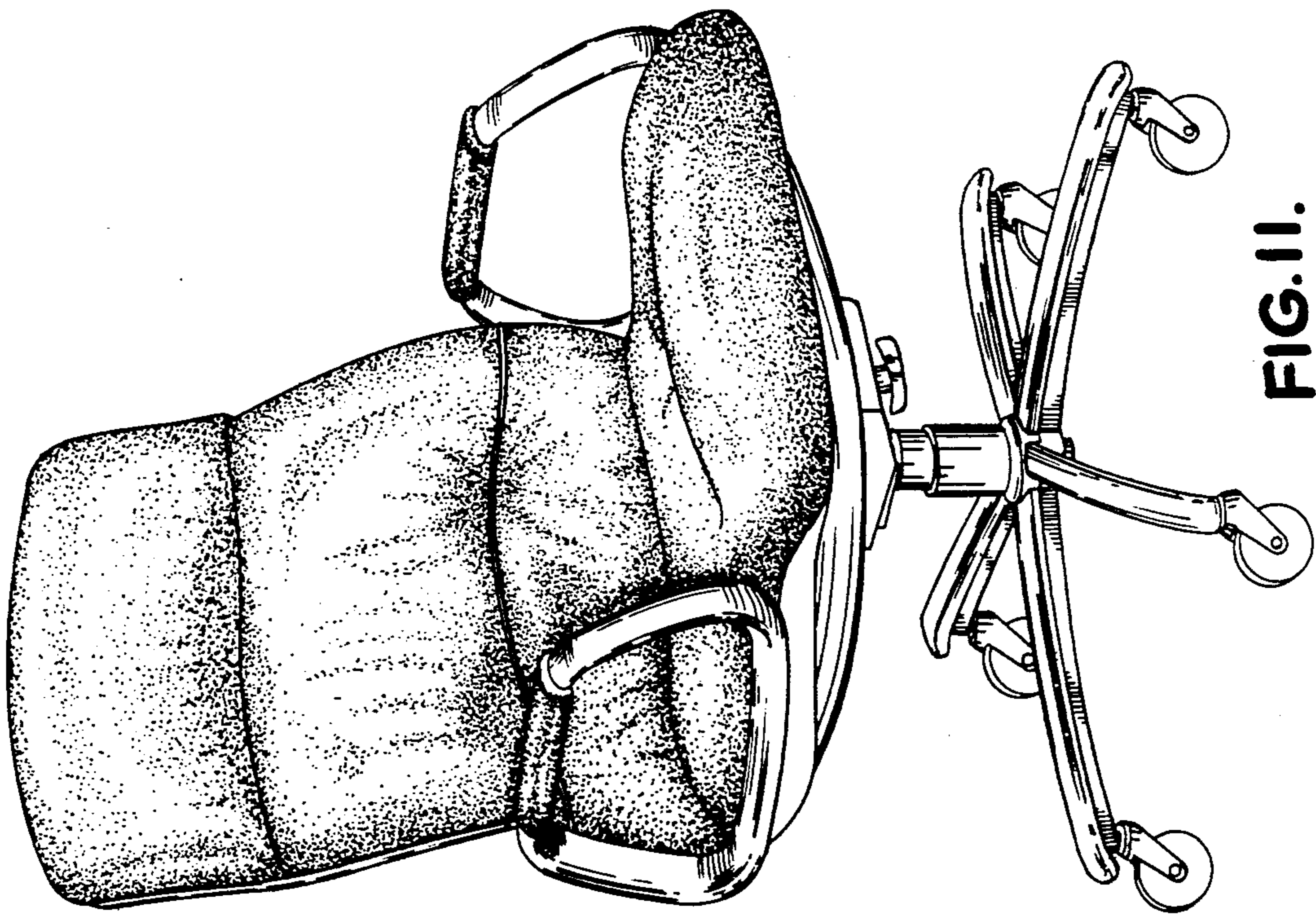


FIG. 11.

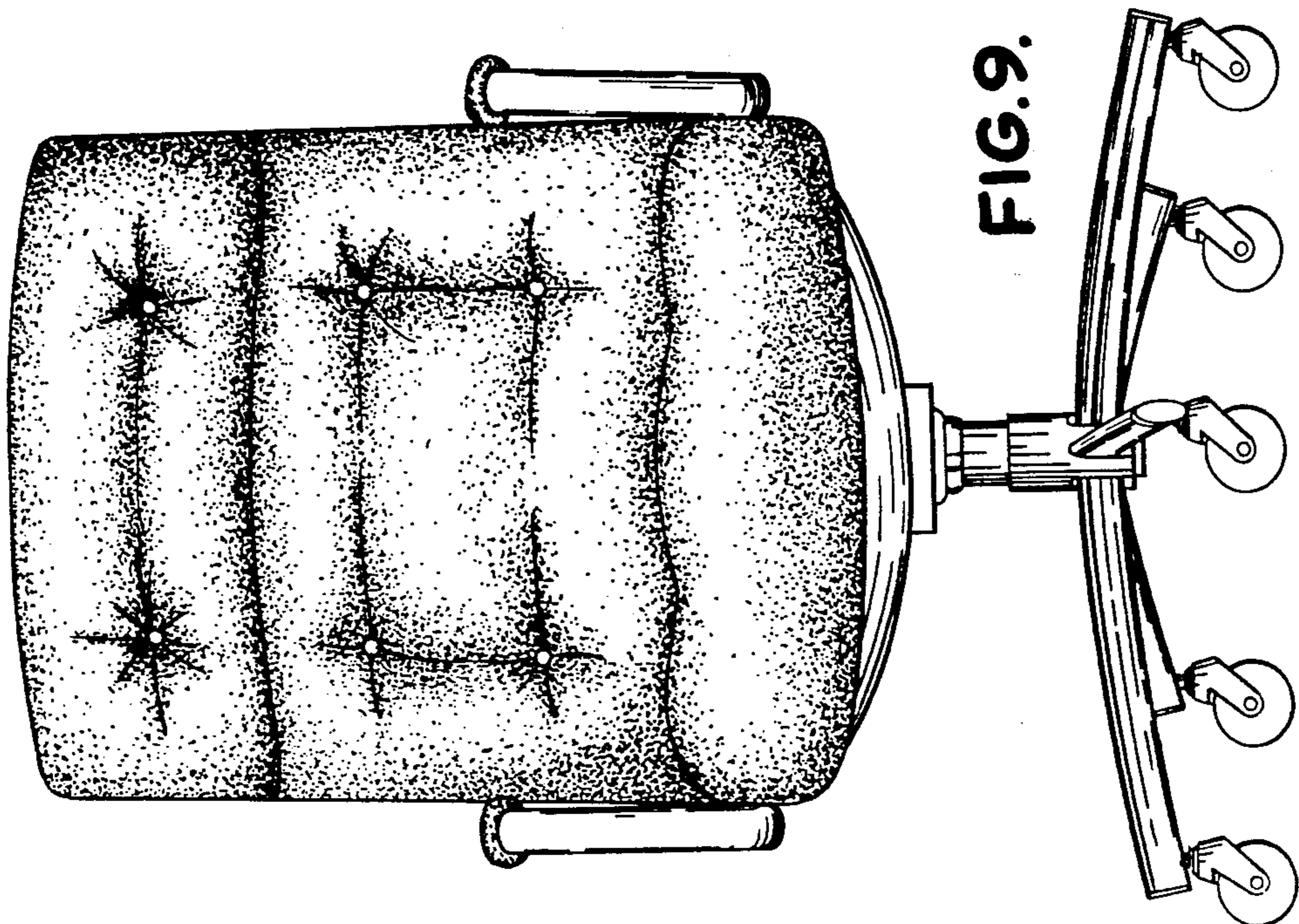


FIG. 9.

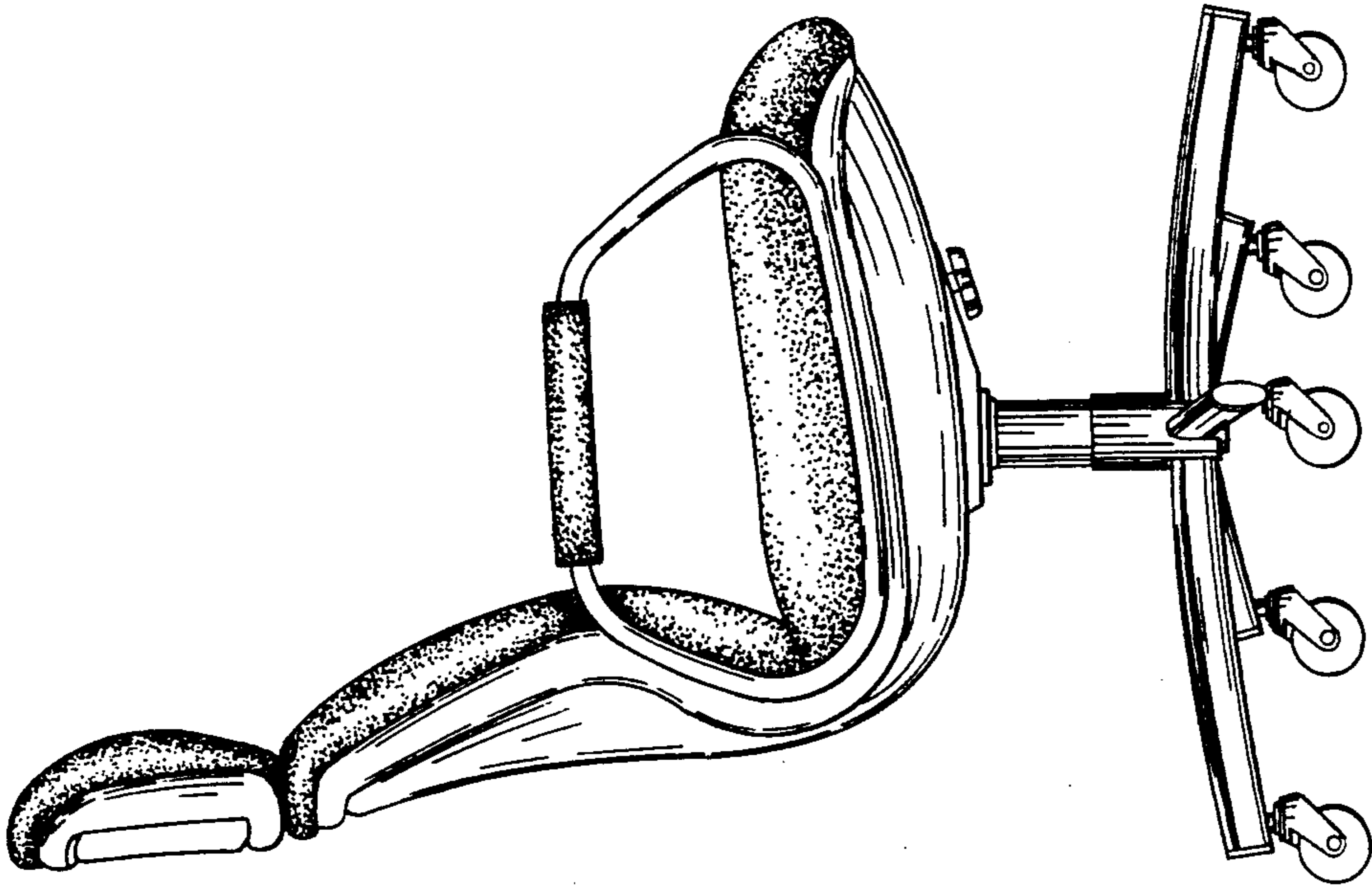


FIG. 13.

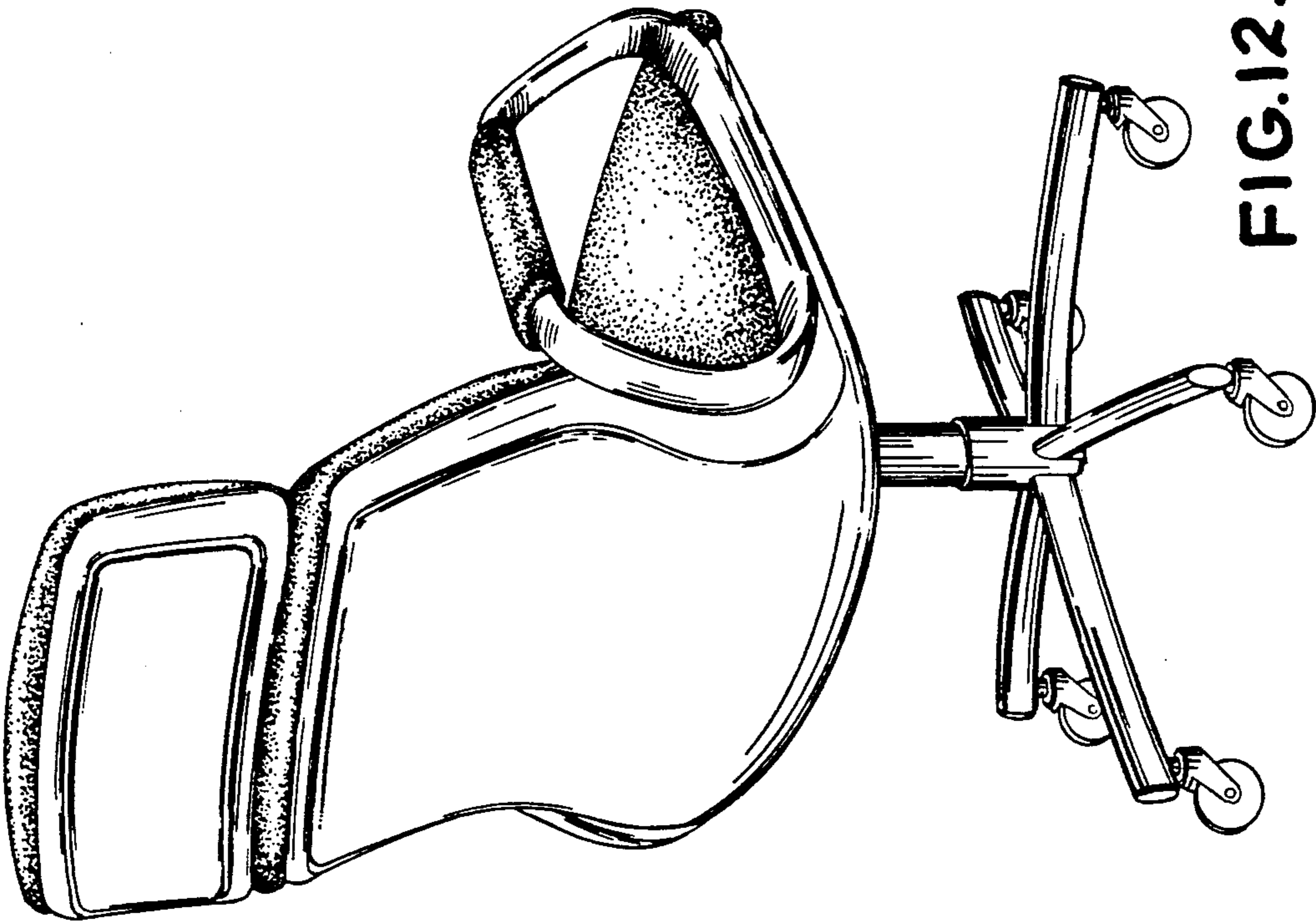


FIG. 12.