

[54] WALL MOUNTABLE COIN BANK

[76] Inventor: Tony Robert, 5701 Southwest Freeway, Houston, Tex. 77057

[**] Term: 14 Years

[21] Appl. No.: 284

[22] Filed: Jan. 2, 1979

[51] Int. Cl. D31-00

[52] U.S. Cl. D99/35

[58] Field of Search D99/35, 34; 232/1 E, 232/4 R, 5; D11/132, 140; D6/114, 141, 143, 145; 40/10 D, 152 R

[56] References Cited

U.S. PATENT DOCUMENTS

D. 240,446 7/1976 Robert D99/35
D. 244,553 5/1977 Robert D30/7

Primary Examiner—James M. Gandy

[57] CLAIM

The ornamental design for a wall mountable coin bank, as shown and described.

DESCRIPTION

FIG. 1 is a front elevational view of a wall mountable coin bank showing my new design; FIG. 2 is a left side elevational view; FIG. 3 is a rear elevational view; and FIG. 4 is a top plan view.

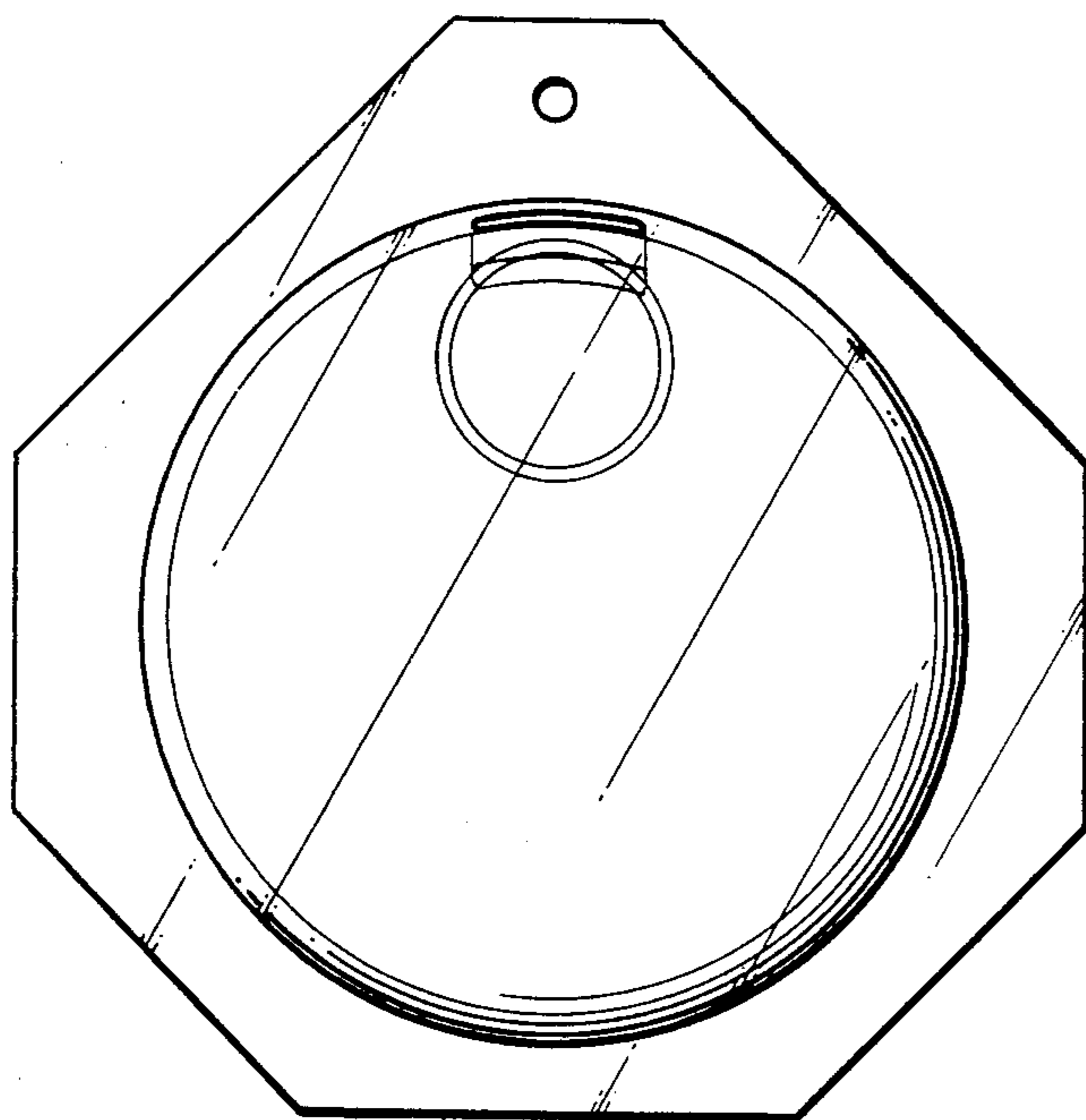


Fig. 1

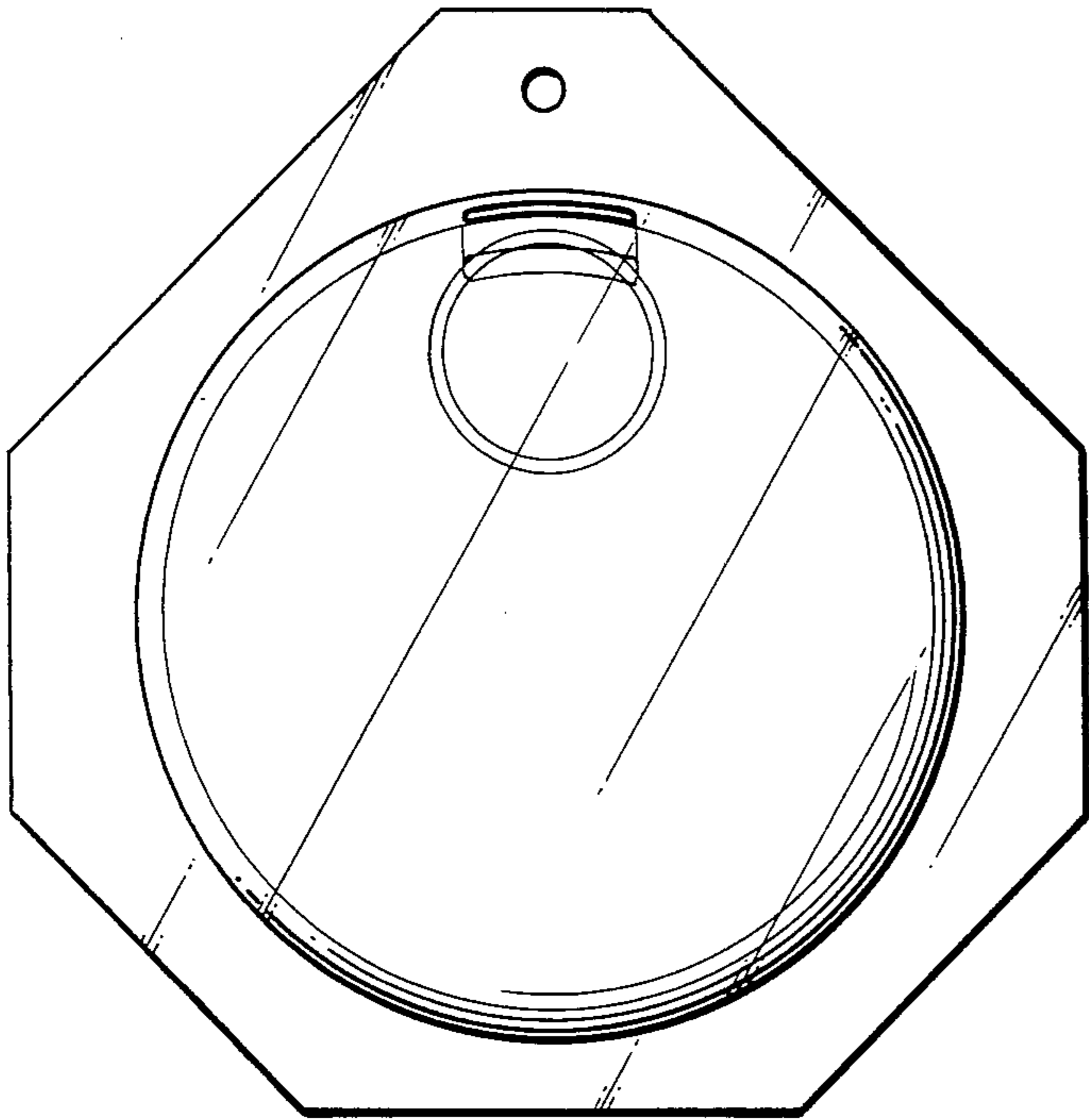


Fig. 2

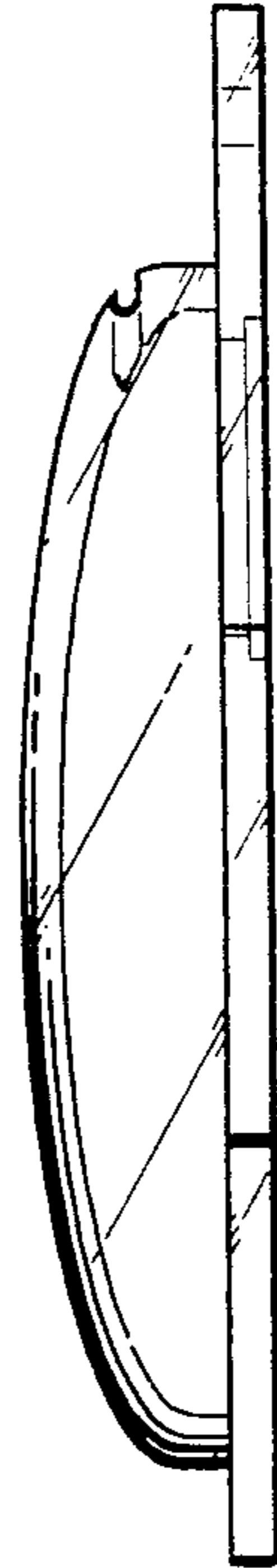


Fig. 3

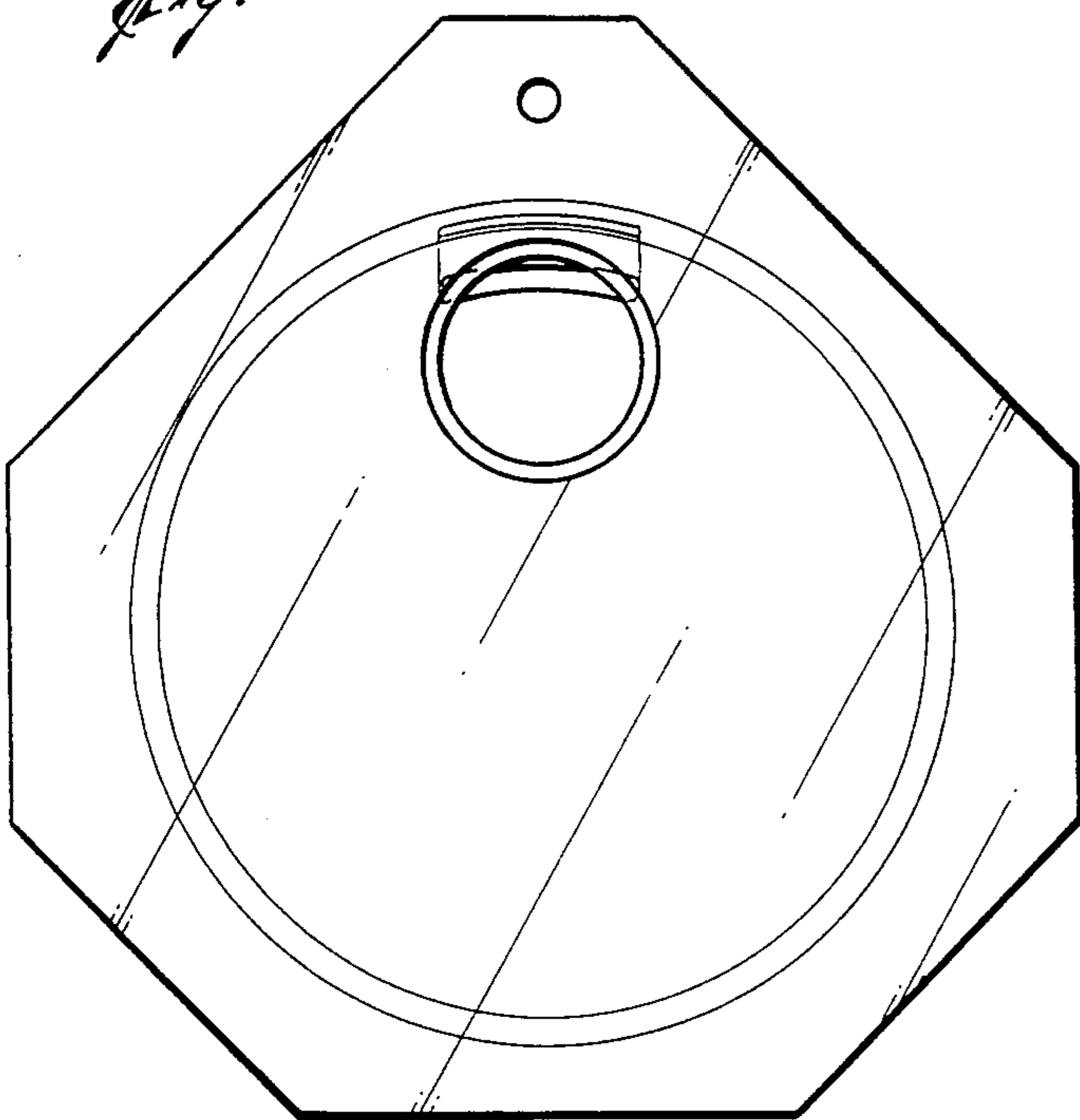


Fig. 4

