

[54] POOL SKIMMER

[75] Inventor: Lawrence E. Johnson, Dana Point, Calif.

[73] Assignee: South Pacific Industries, Santa Ana, Calif.

[**] Term: 14 Years

[21] Appl. No.: 50,449

[22] Filed: Jun. 20, 1979

[51] Int. Cl. D25-02

[52] U.S. Cl. D25/2

[58] Field of Search D25/2, 1; D15/7, 8; 4/488, 507, 490; D23/3, 4; 52/169.7; 210/242, 121; 249/1

[56]

References Cited

U.S. PATENT DOCUMENTS

3,831,897	8/1974	Stegmeier	4/507 X
4,126,925	11/1978	Jacuzzi	4/490 X
4,154,679	5/1979	Farage	4/507 X

Primary Examiner—A. Hugo Word
Attorney, Agent, or Firm—Gausewitz, Carr, Rothenberg & Edwards

[57]

CLAIM

The ornamental design for a pool skimmer, substantially as shown and described.

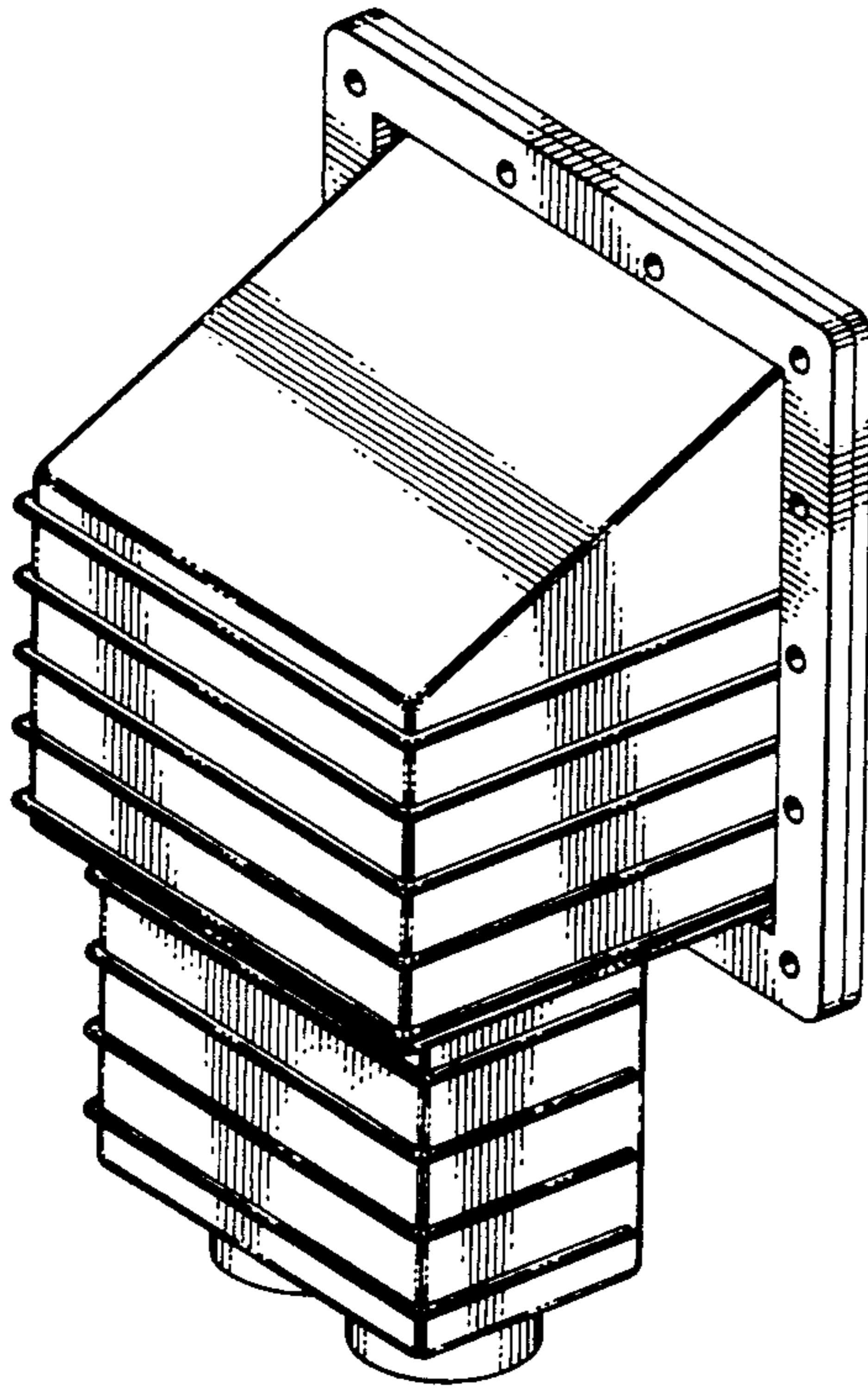
DESCRIPTION

FIG. 1 is a perspective view showing top, back and one side of the pool skimmer of this invention;

FIG. 2 is a view of the other side of the pool skimmer of this invention;

FIG. 3 is a front view; and

FIG. 4 is a bottom view.



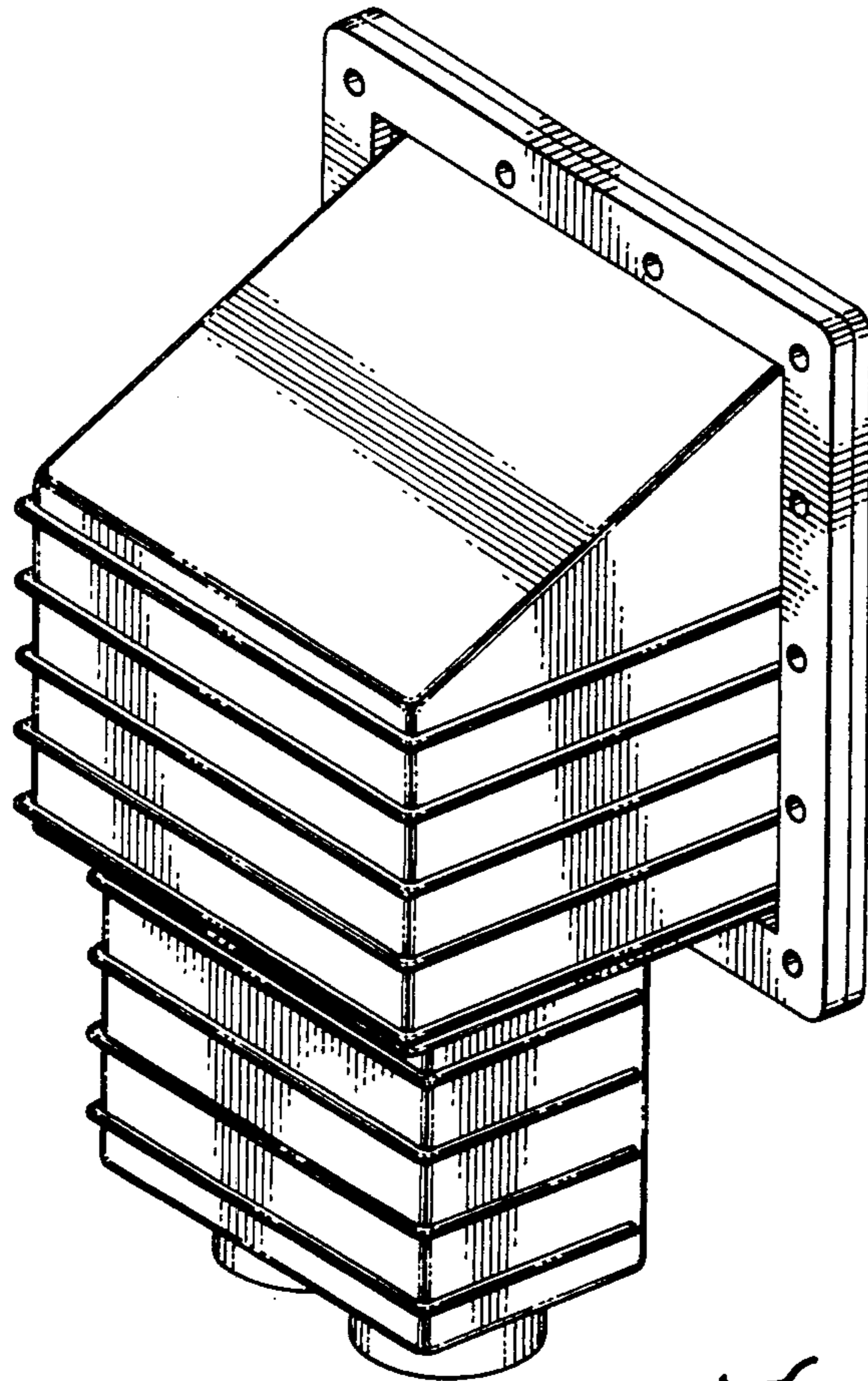


FIG. 1.

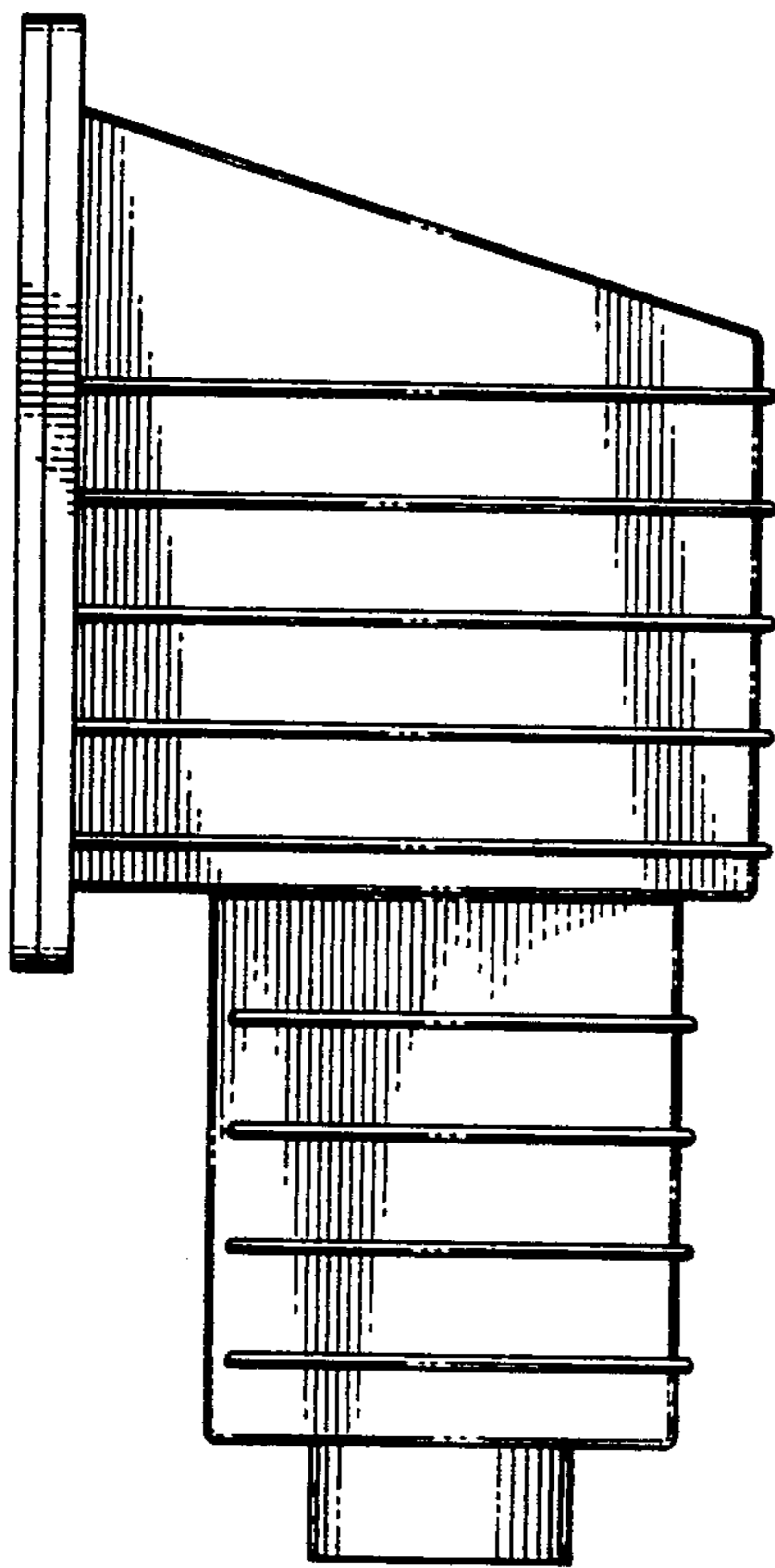


FIG. 2.

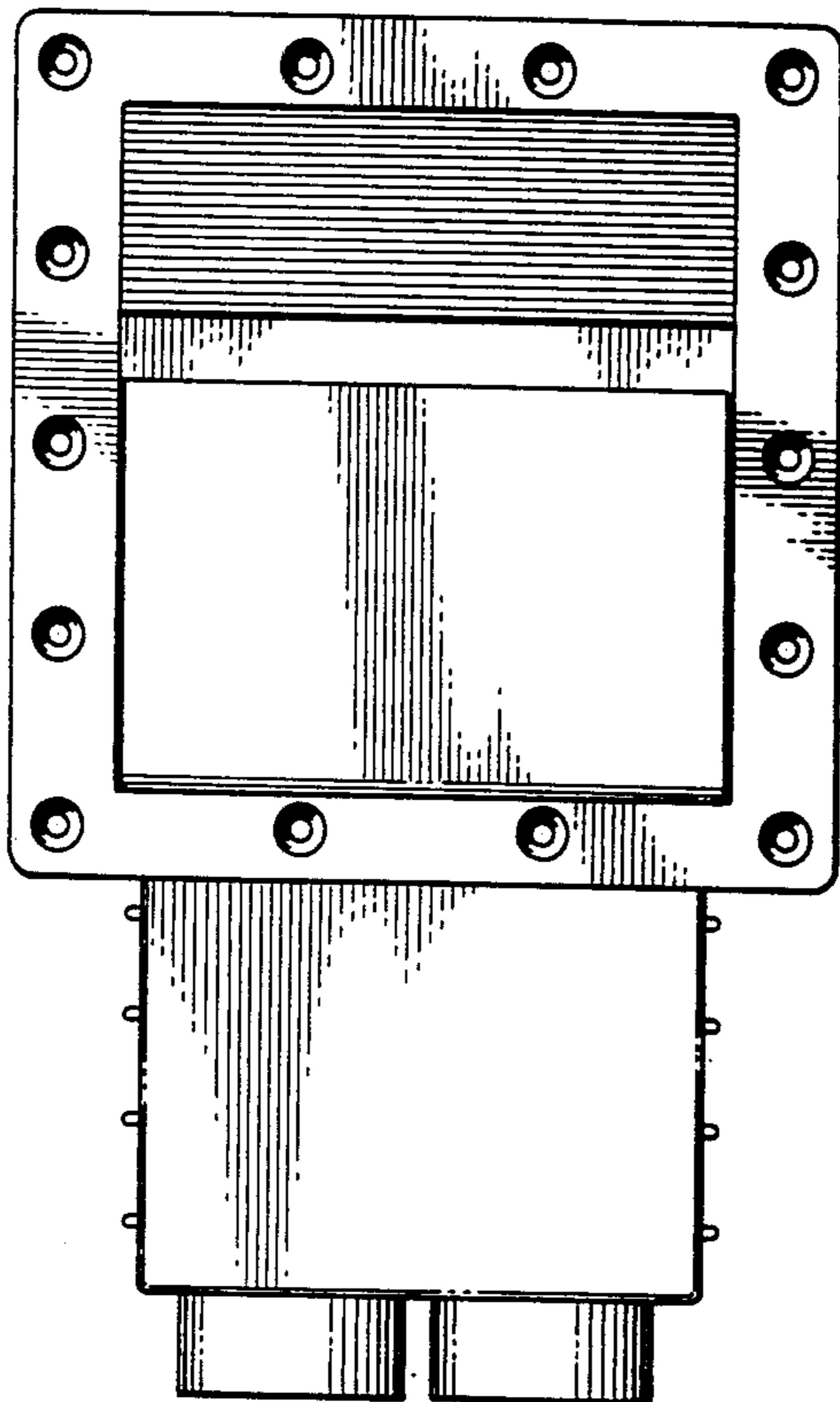


FIG. 3.

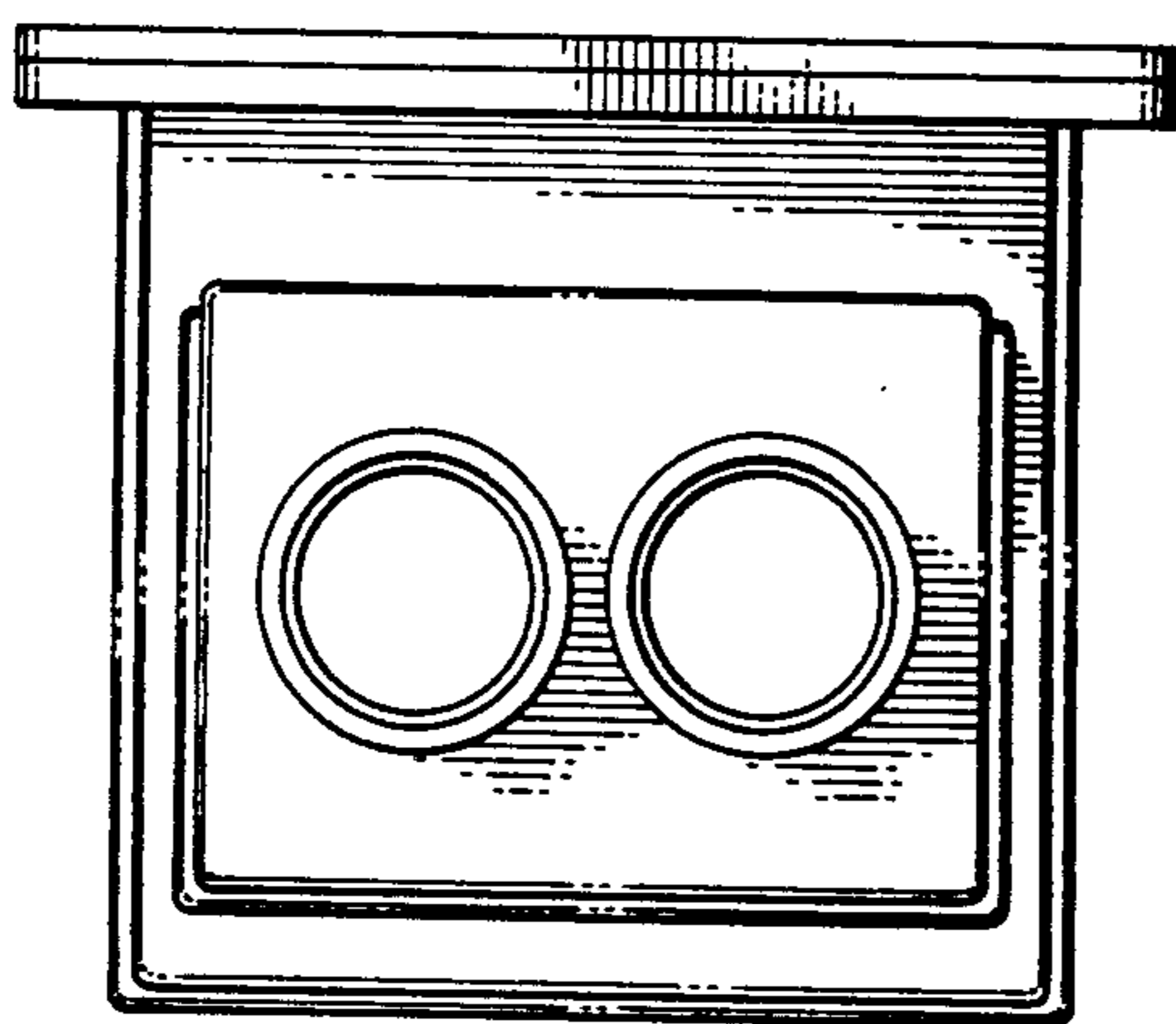


FIG. 4.