

[54] GAS PRESSURE REGULATOR

[75] Inventor: Vincent Cerrato, Pomona, N.Y.

[73] Assignee: Vending Components, Inc.,
Hackensack, N.J.

[**] Term: 14 Years

[21] Appl. No.: 863,537

[22] Filed: Dec. 22, 1977

[51] Int. Cl. D23-01; D10-04

[52] U.S. Cl. D23/21; D10/85

[58] Field of Search D10/85; D23/21; 48/191;
73/431, 756

[56]

References Cited

U.S. PATENT DOCUMENTS

D. 153,064	3/1949	Hammon	D23/21
2,356,970	8/1944	Brockett	D23/21
2,946,223	7/1960	Lauer	73/431

Primary Examiner—Sam Rosen

Attorney, Agent, or Firm—Roy C. Hopgood

[57]

CLAIM

The ornamental design for a gas pressure regulator, as shown and described.

DESCRIPTION

FIG. 1 is a perspective view of a front of the gas pressure regulator;

FIG. 2 is a perspective view of the rear thereof.

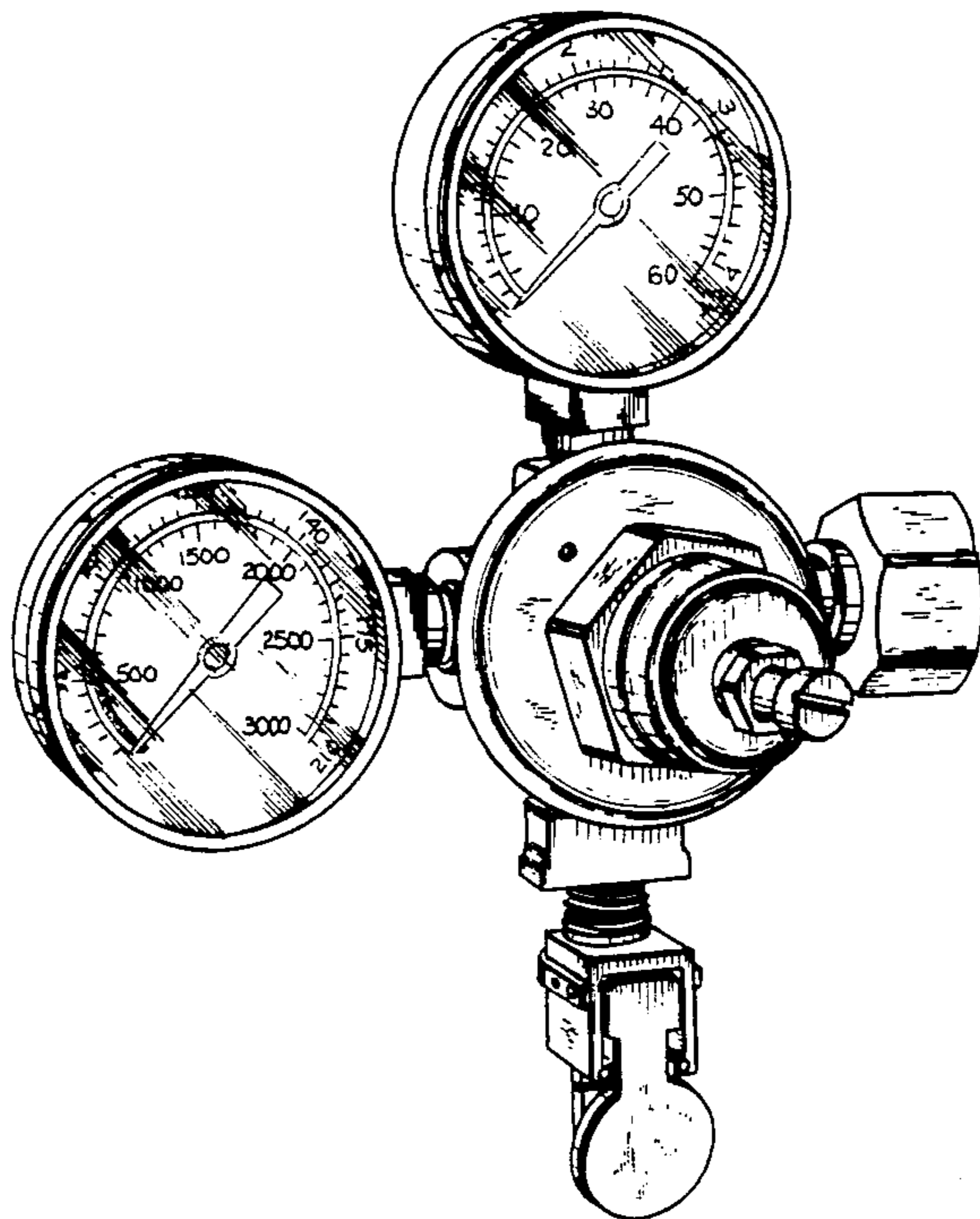


FIG. 2.

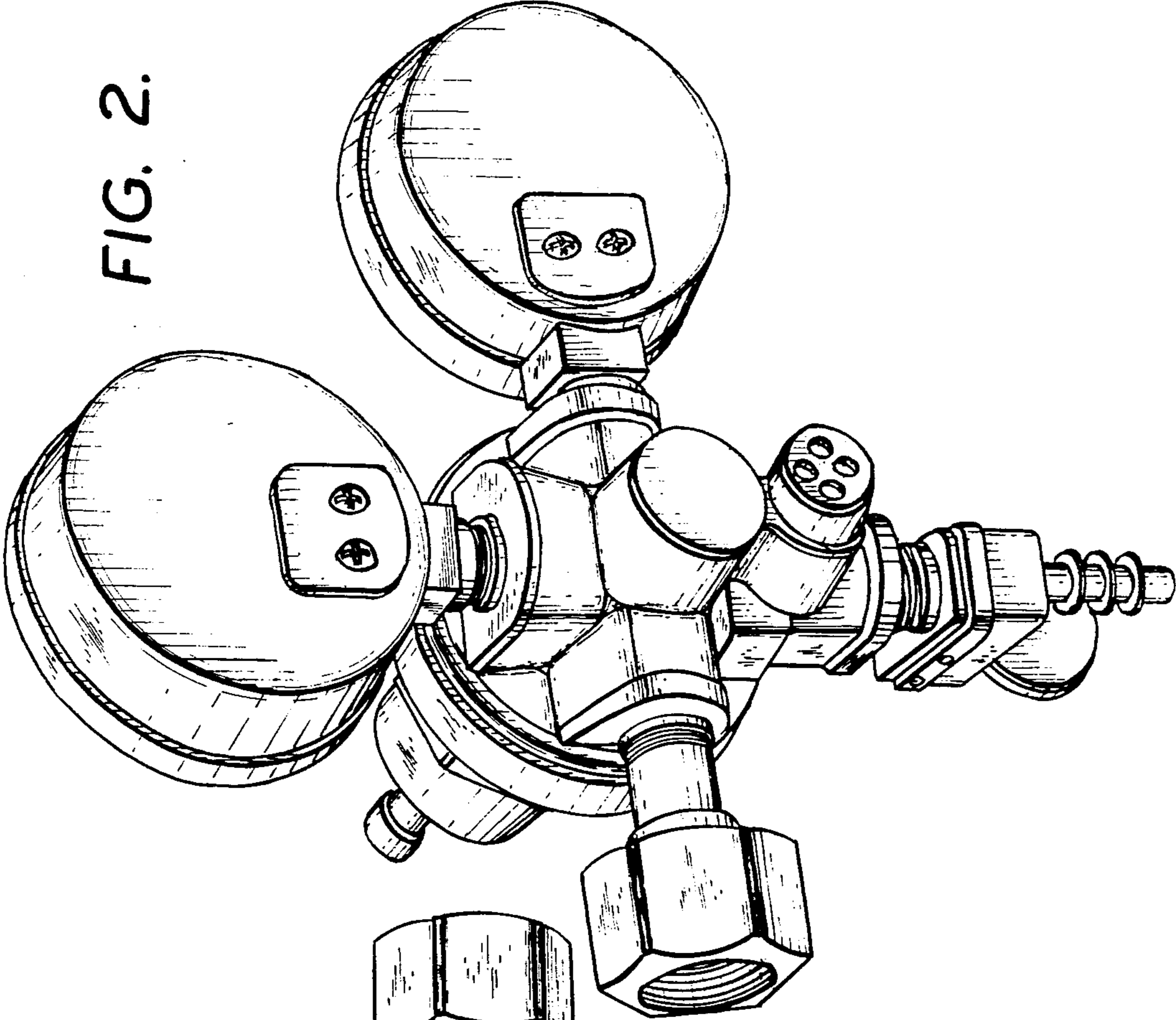


FIG. 1.

