

[54] HOSE NOZZLE

[75] Inventors: **Craig R. Tisserat**, Alta Loma; **Enric C. Mendoza**, Walnut, both of Calif.; **Marnie C. Averitt**; **Humbert Olivari**, both of Houston, Tex.

[73] Assignee: **Rain Bird Sprinkler Consumer Mfg. Corp.**, Glendora, Calif.

[**] Term: **14 Years**

[21] Appl. No.: **133,956**

[22] Filed: **Mar. 25, 1980**

[51] Int. Cl. **D23-01**

[52] U.S. Cl. **D23/18**

[58] Field of Search **D23/6-12, D23/17, 18, 34-38; 239/310, 311, 314, 318, 526**

[56] **References Cited**

U.S. PATENT DOCUMENTS

D. 148,892	3/1948	Swimmer	D23/37
D. 153,685	5/1949	Henkel	D23/34
D. 164,586	9/1951	Lindberg	D23/37
D. 179,285	11/1956	Francis	D23/37
D. 179,509	1/1957	Beinert	D23/37
D. 180,486	6/1957	Koepfel	D23/37
D. 185,186	5/1959	Beinert	D23/37
D. 185,187	5/1959	Beinert	D23/37
D. 185,187	5/1959	Beinert	D23/37
D. 185,945	8/1959	Rosenkranz	D23/34
D. 187,904	5/1960	Kellogg	D23/37
D. 187,970	5/1960	Beinert	D23/37

D. 194,014	11/1962	Gilmour	D23/37
D. 202,757	11/1965	Hitchcock	D23/37
D. 225,222	11/1972	Gilmour	D23/34
D. 225,736	1/1973	Mango	D23/37
D. 228,235	8/1973	Otto	D23/34
D. 251,680	4/1979	Morgan	D23/37
D. 251,850	5/1979	Morgan	D23/37
D. 251,917	5/1979	Morgan	D23/37
2,991,939	7/1961	Packard	239/310 X

Primary Examiner—James R. Largen
Attorney, Agent, or Firm—Fulwider, Patton, Rieber, Lee & Utecht

[57] **CLAIM**

The ornamental design for a hose nozzle, substantially as shown and described.

DESCRIPTION

FIG. 1 is a perspective view of a hose nozzle embodying our new design;

FIG. 2 is a rear elevational view thereof;

FIG. 3 is a side elevational view thereof;

FIG. 4 is a front elevational view thereof;

FIG. 5 is a top plan view thereof;

FIG. 6 is a bottom plan view thereof;

FIG. 7 is a perspective view of a modified form of the hose nozzle shown in FIG. 1;

FIG. 8 is a rear elevational view of FIG. 7;

FIG. 9 is a side elevational view of FIG. 7;

FIG. 10 is a front elevational view of FIG. 7;

FIG. 11 is a top plan view of FIG. 7; and

FIG. 12 is a bottom plan view of FIG. 7.

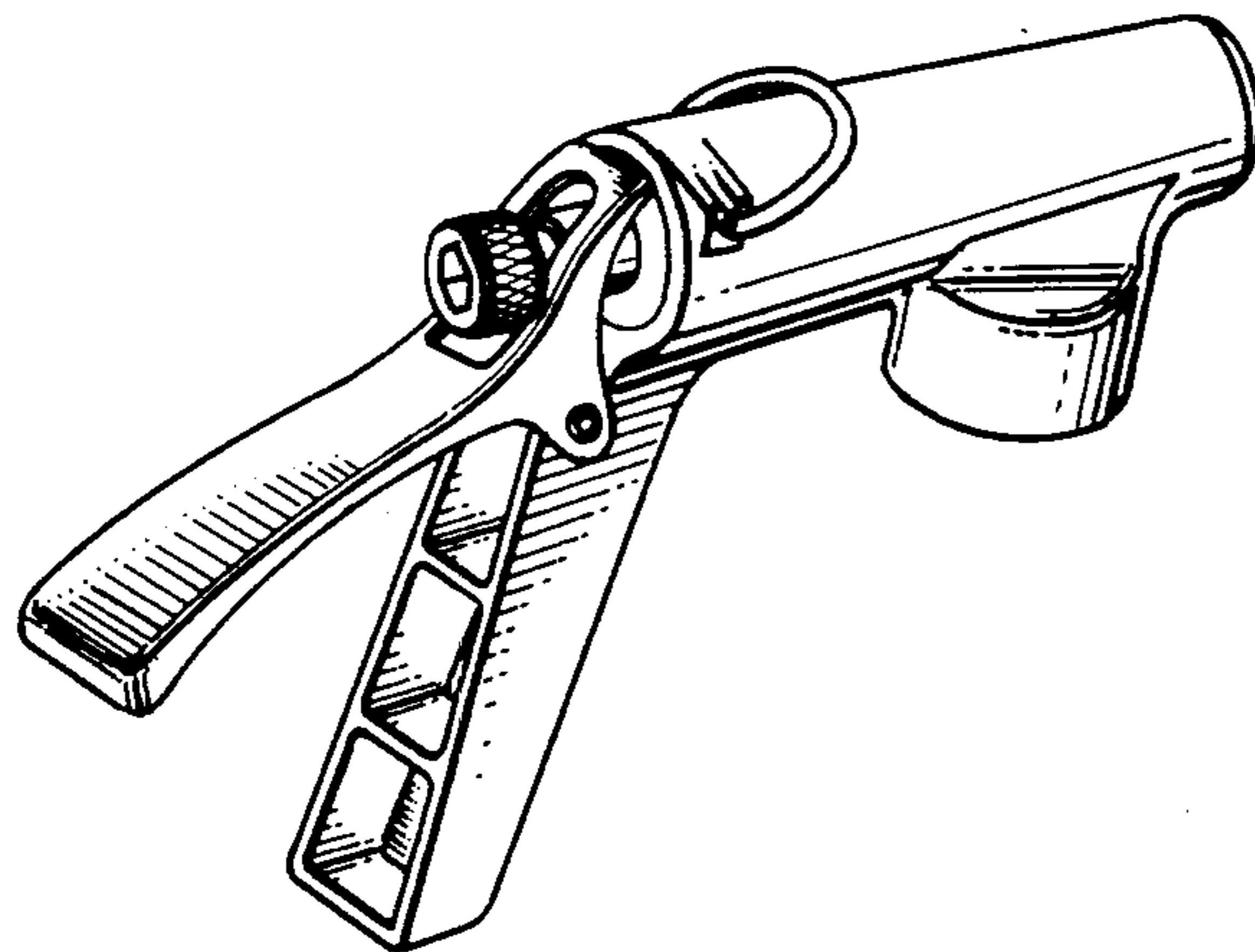


Fig. 1.

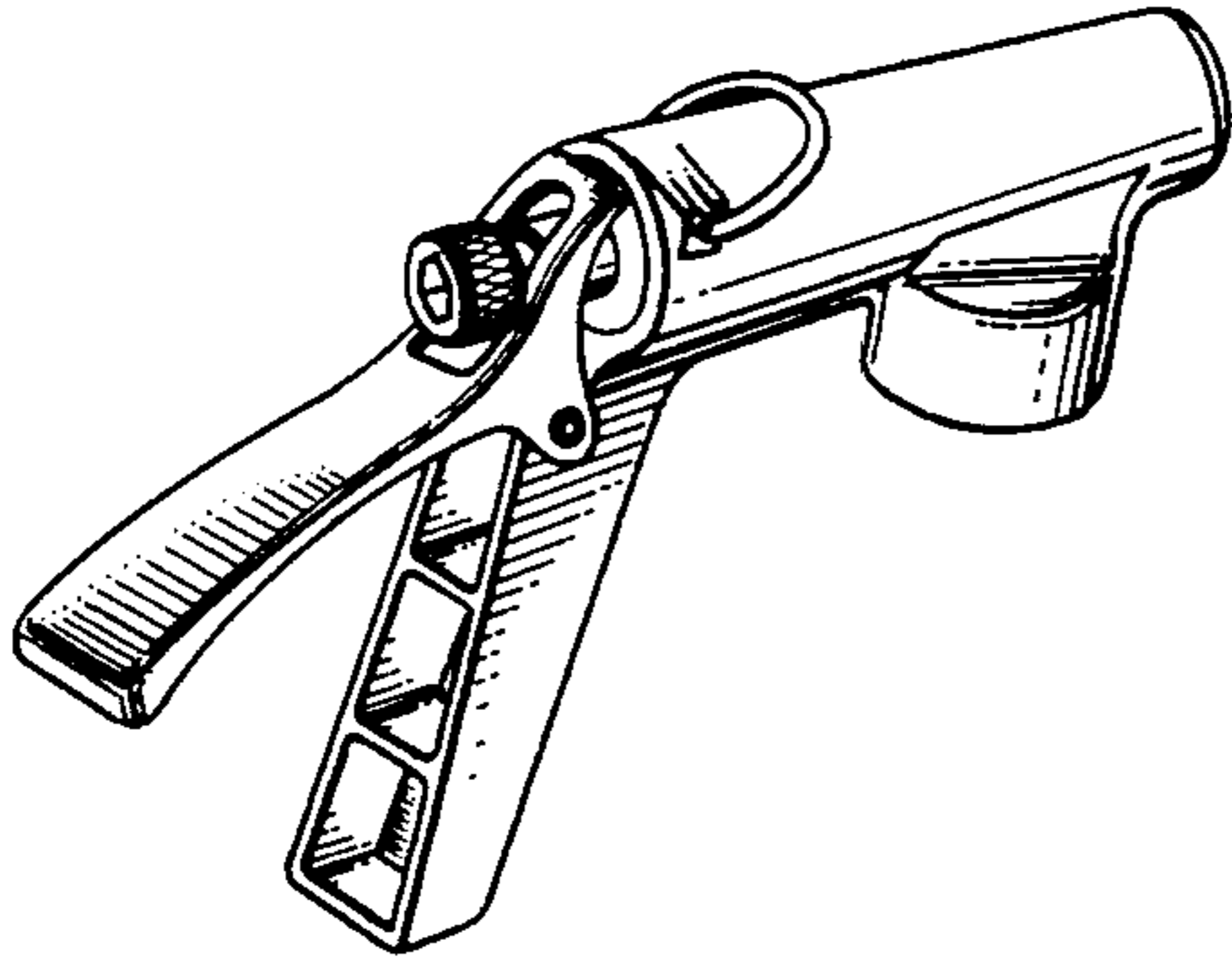


Fig. 2.

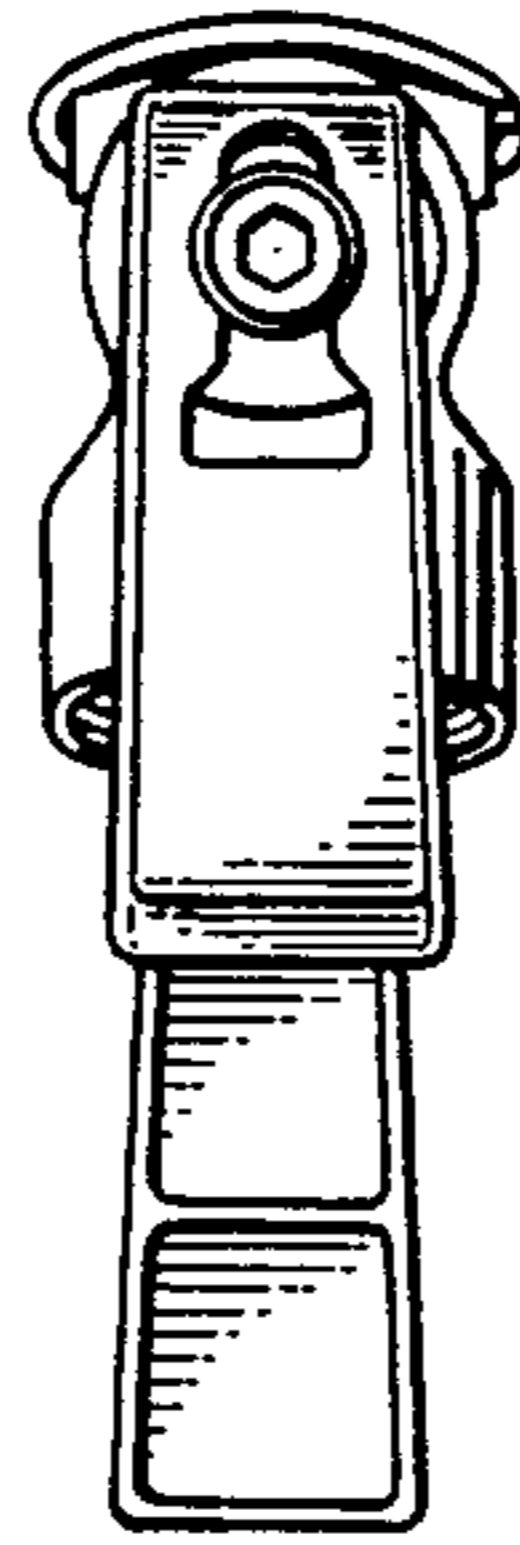


Fig. 3.

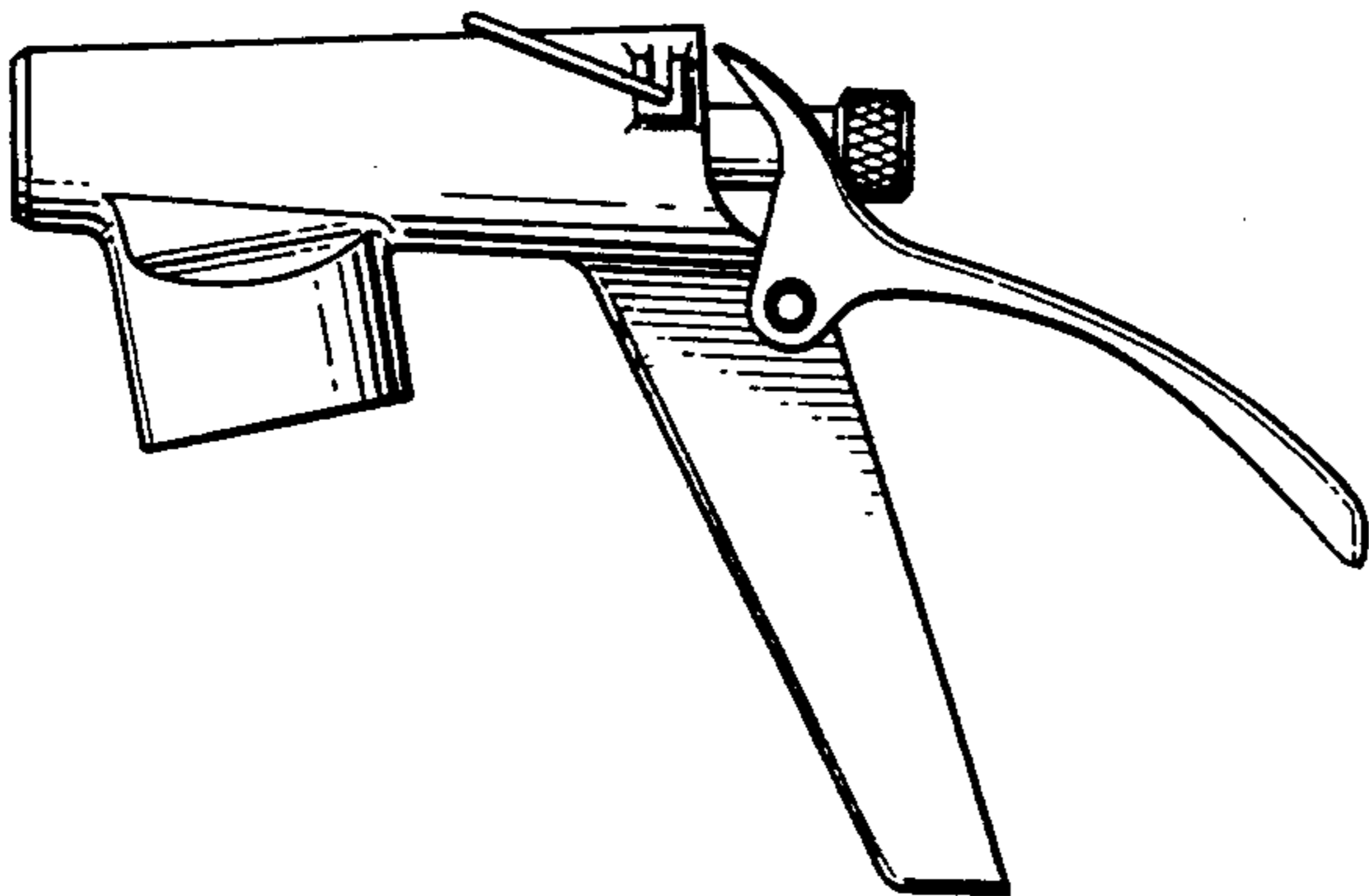


Fig. 4.

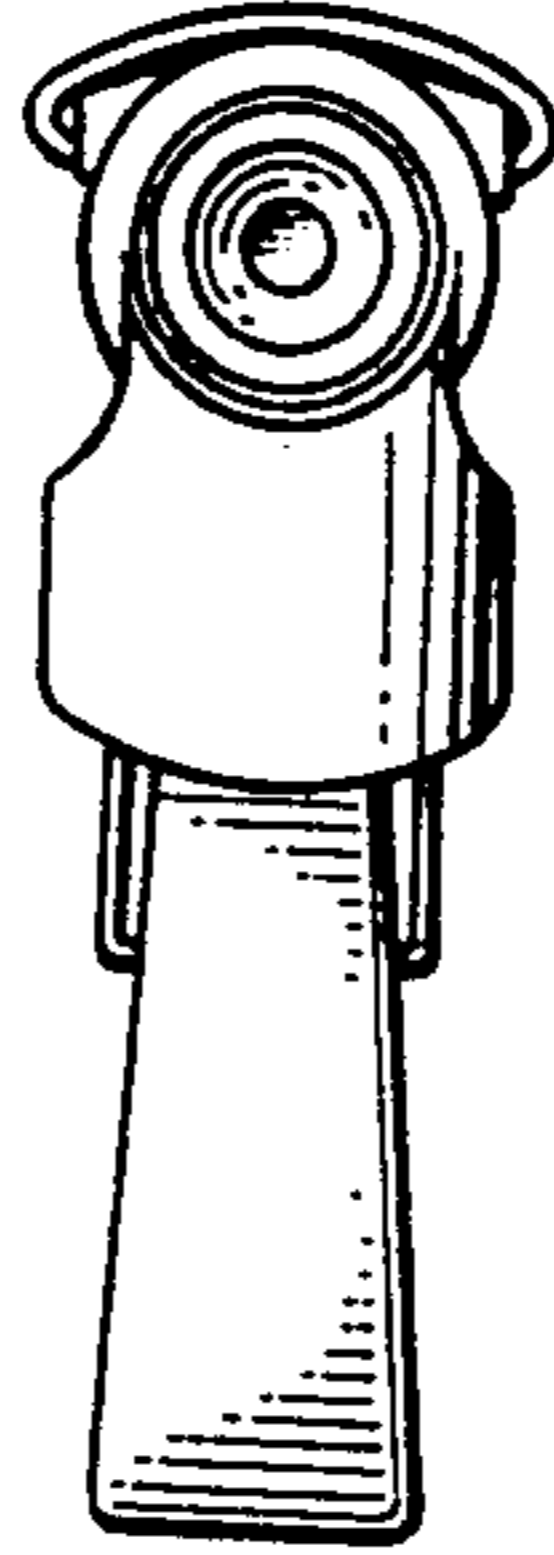


Fig. 5.

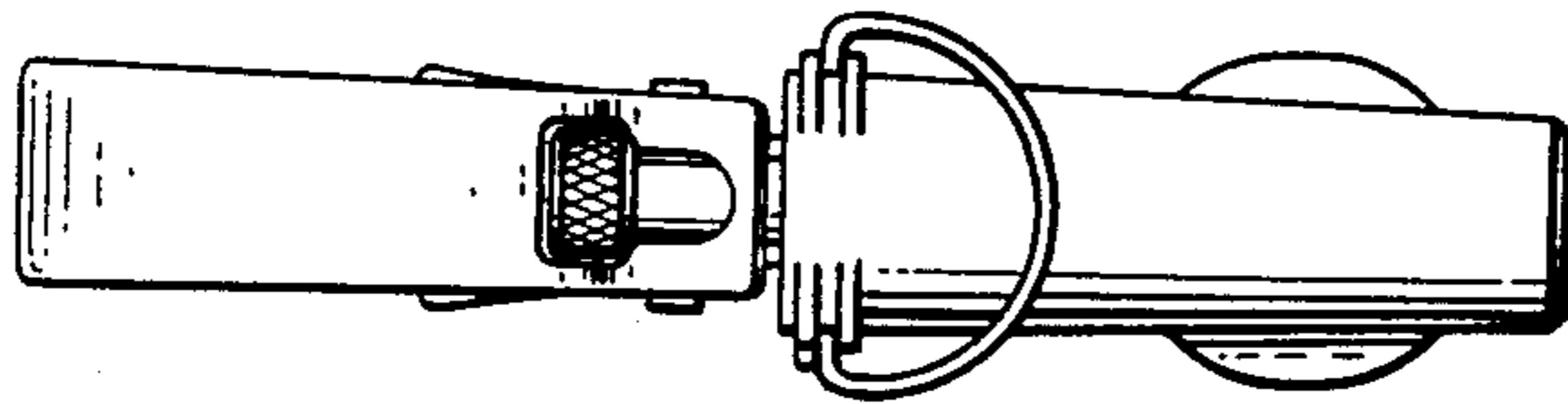


Fig. 6.

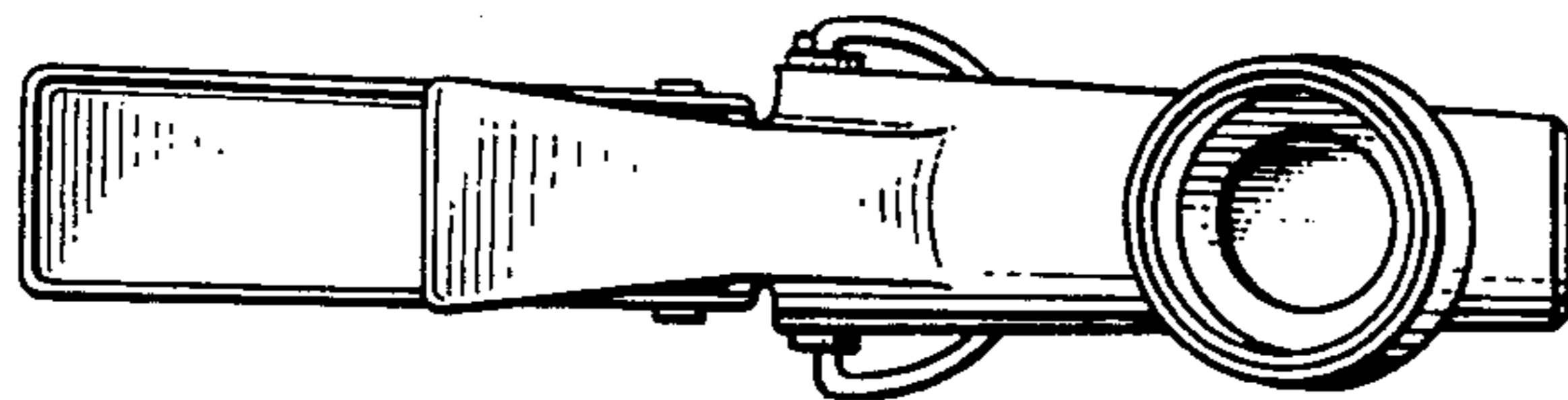


Fig. 7.

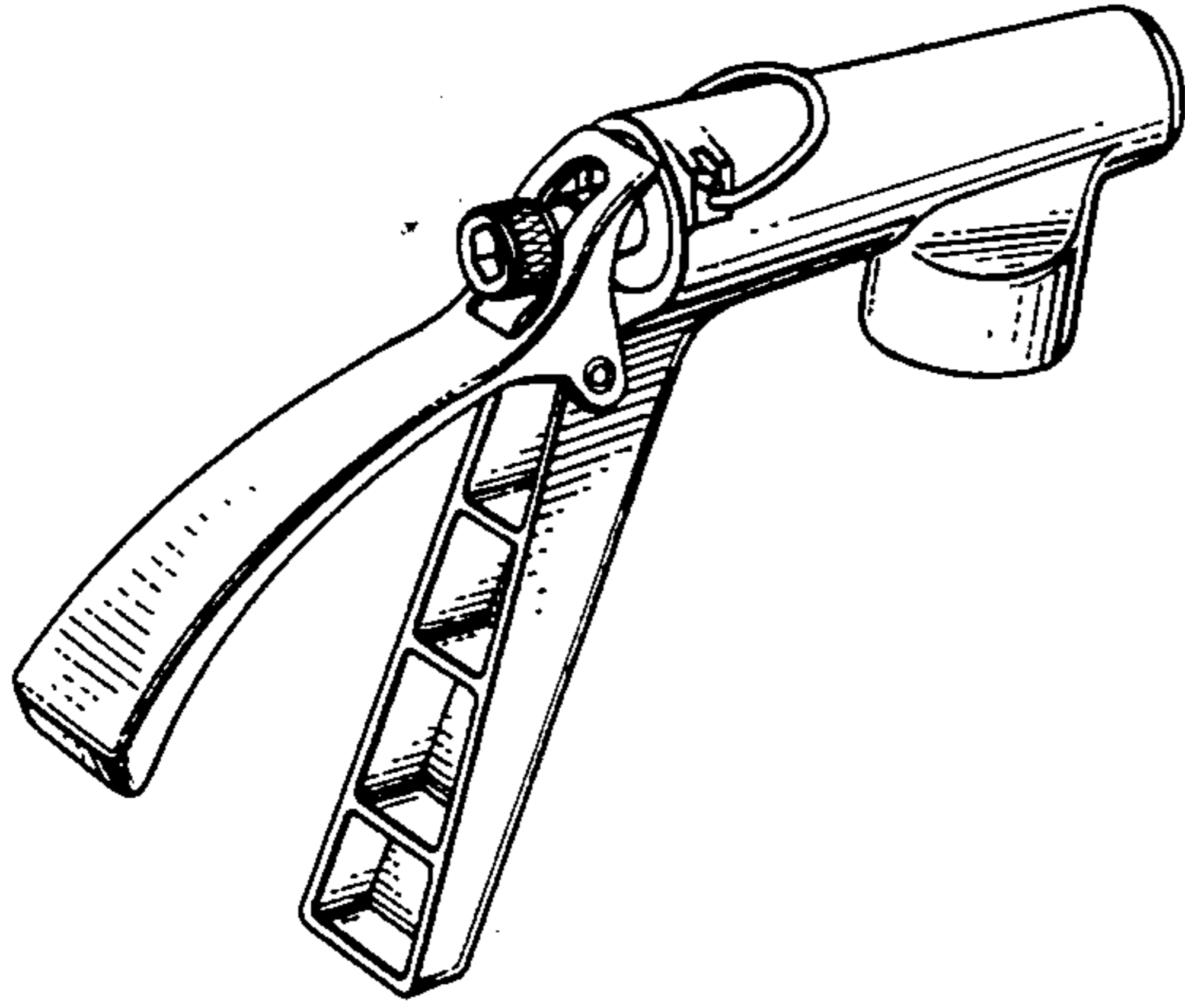


Fig. 8.

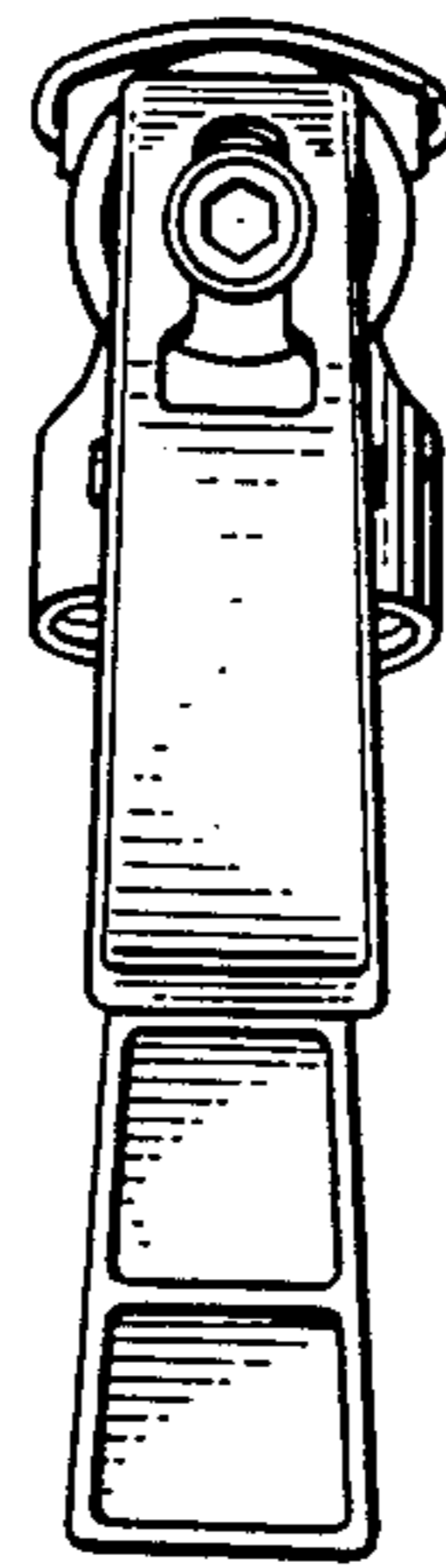


Fig. 9.

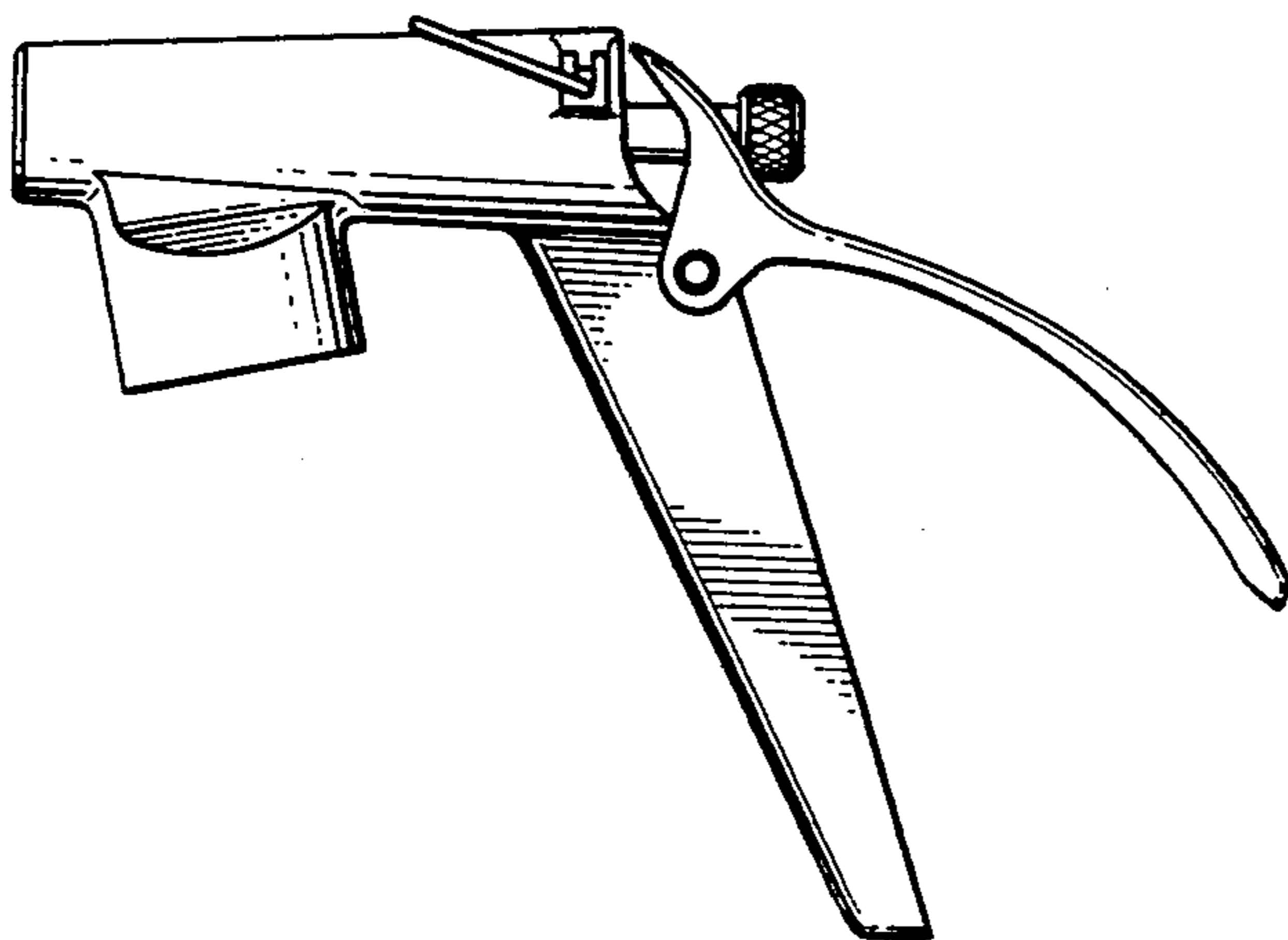


Fig. 10.

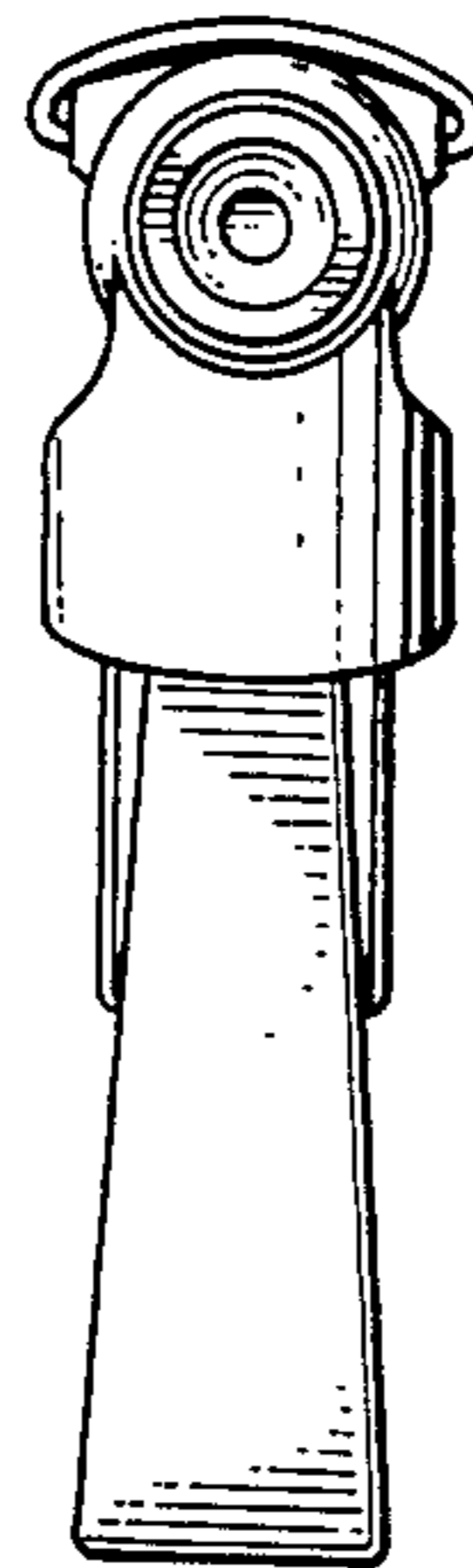


Fig. 11.

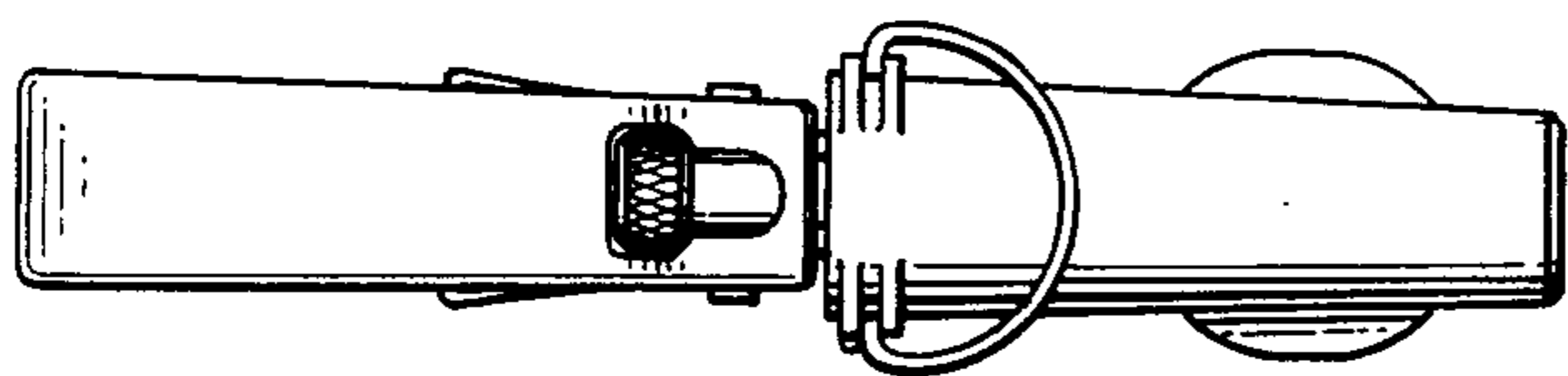


Fig. 12.

