

[54] TOY BUS

[75] Inventors: **Avi Arad, Westport; Edward B. Bretschger, Cos Cob, both of Conn.**

[73] Assignee: **Empire of Carolina, Inc., New York, N.Y.**

[**] Term: **14 Years**

[21] Appl. No.: **11,007**

[22] Filed: **Feb. 9, 1979**

[51] Int. Cl. **D21-01**

[52] U.S. Cl. **D21/78**

[58] Field of Search **D21/71, 76, 78, 79, D21/81, 134; 46/201, 202, 206, 210; 280/87.01, 87.02 R, 87.04 R; D12/14, 82, 93**

[56] **References Cited**

U.S. PATENT DOCUMENTS

D. 228,398	9/1973	Campenell	D21/78
D. 239,127	3/1976	Powers	D21/78
D. 250,851	1/1979	Nakao et al.	D21/78
D. 252,653	8/1979	Nakao et al.	D21/78

Primary Examiner—Charles A. Rademaker
Attorney, Agent, or Firm—Kirschstein, Kirschstein, Ottinger & Cobrin

[57] **CLAIM**

The ornamental design for a toy bus, as shown.

DESCRIPTION

FIG. 1 is a top plan view of the toy bus showing our new design:

FIG. 2 is a left side elevational view thereof;

FIG. 3 is a front elevational view thereof;

FIG. 4 is a rear elevational view thereof;

FIG. 5 is a right side elevational view thereof; and

FIG. 6 is a bottom plan view thereof.

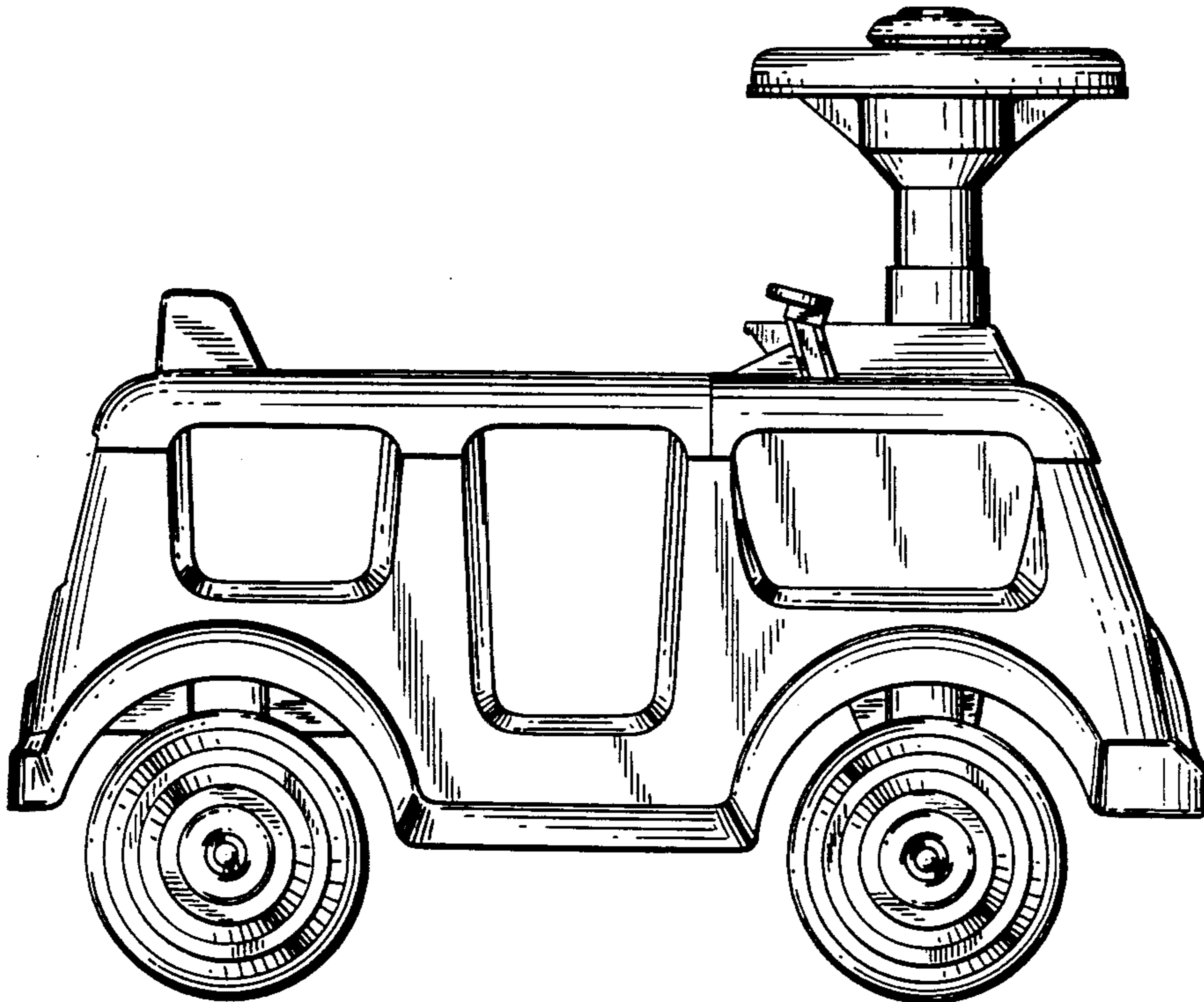


FIG. 1

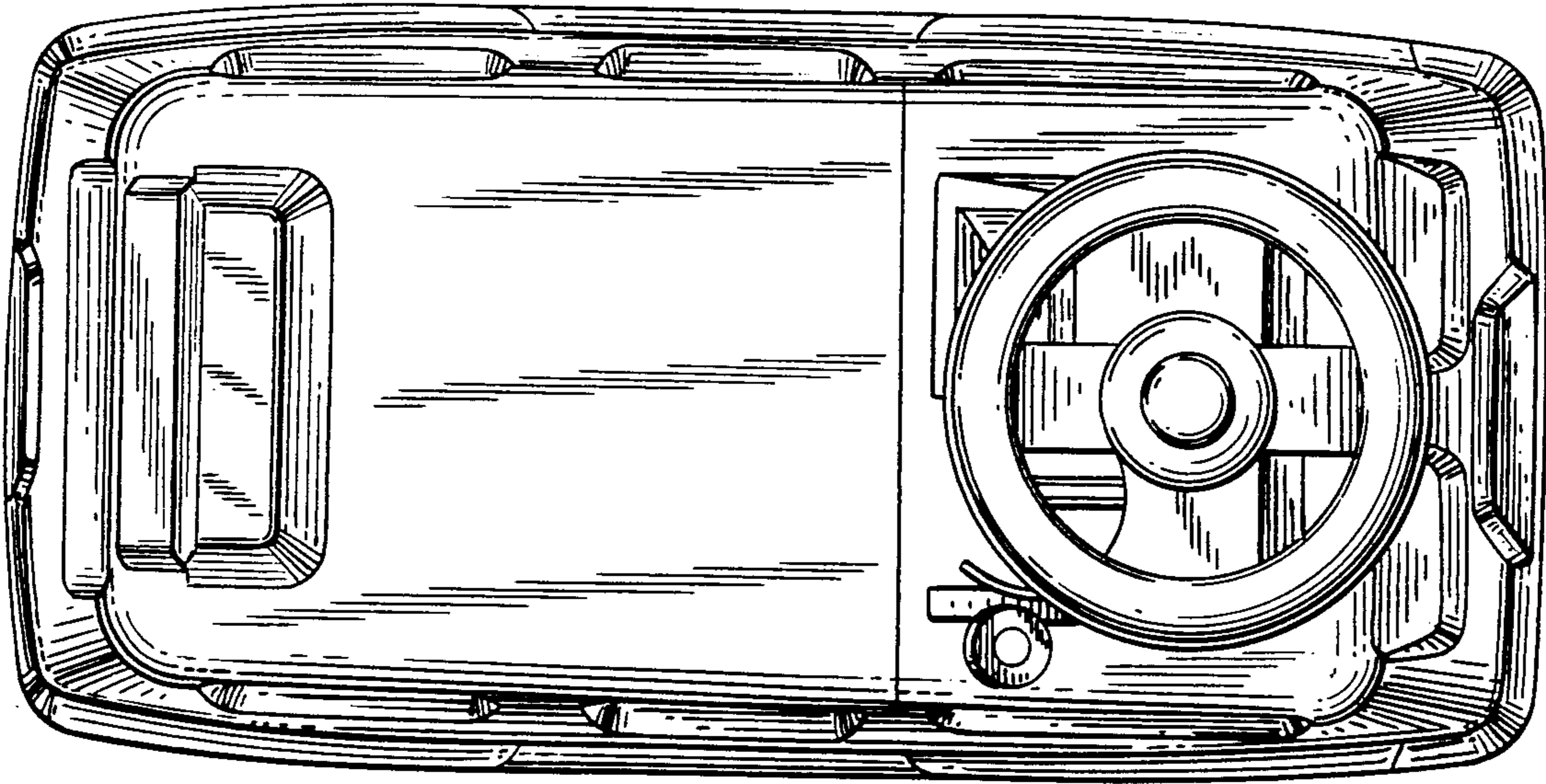


FIG. 2

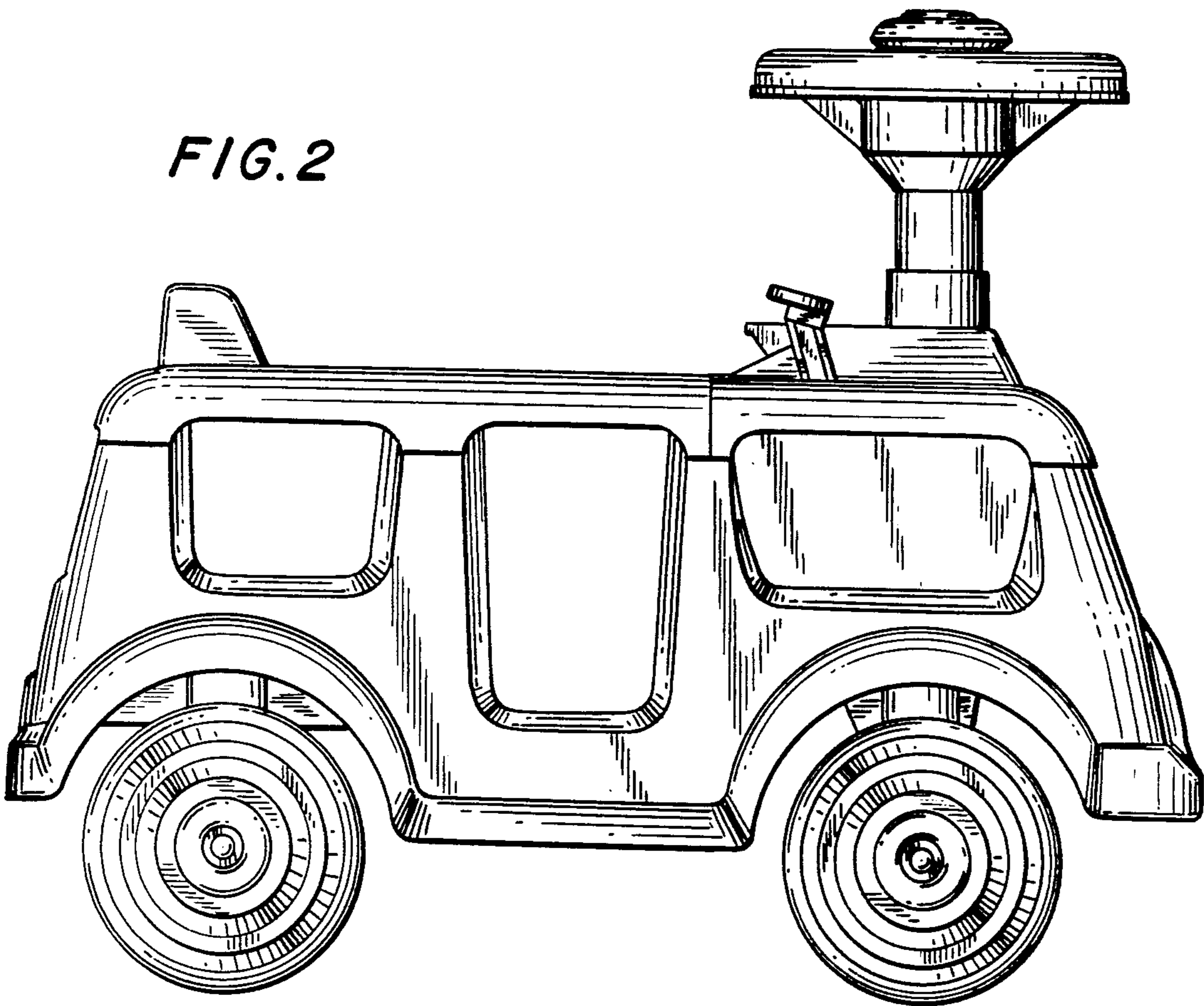


FIG. 4

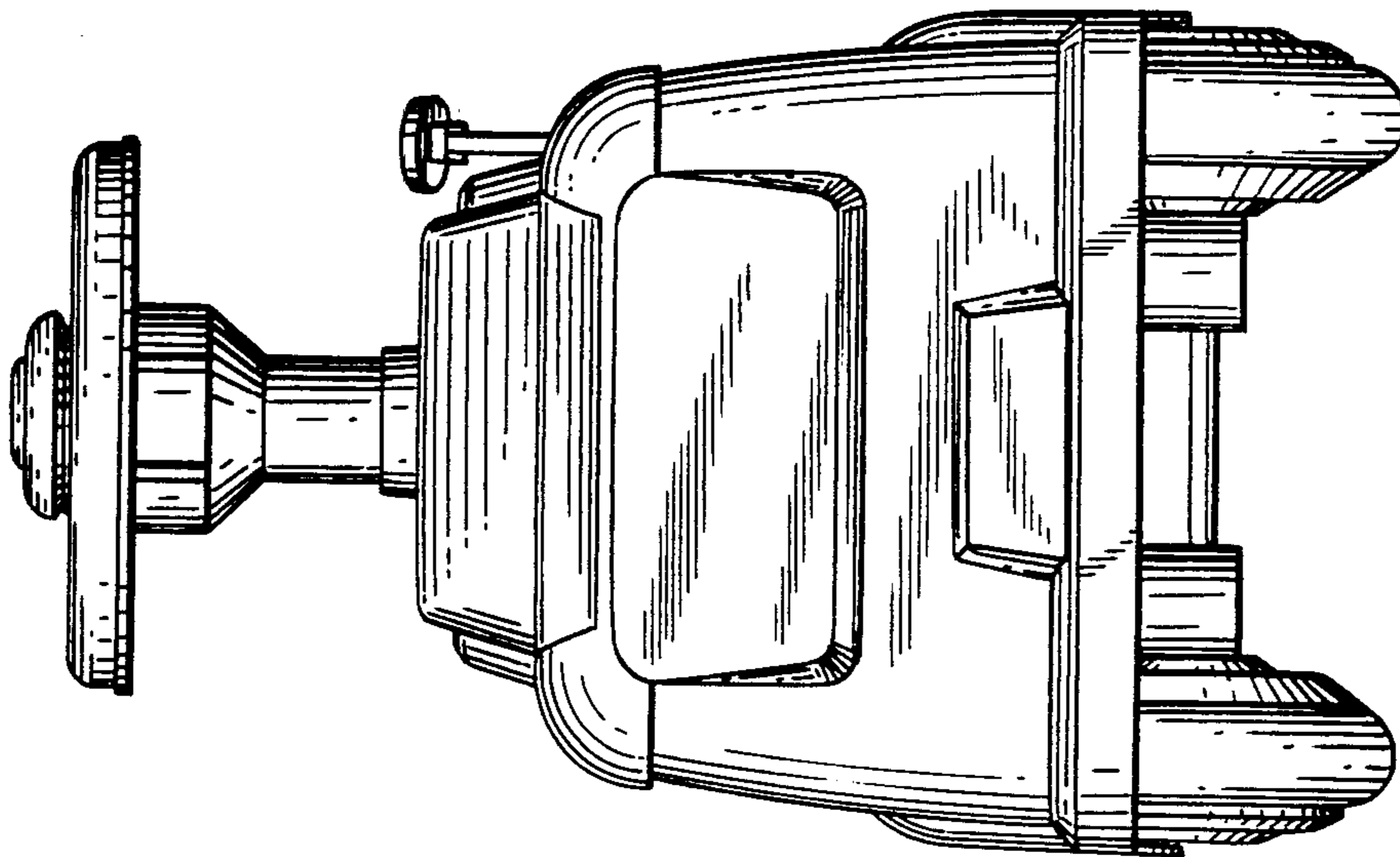
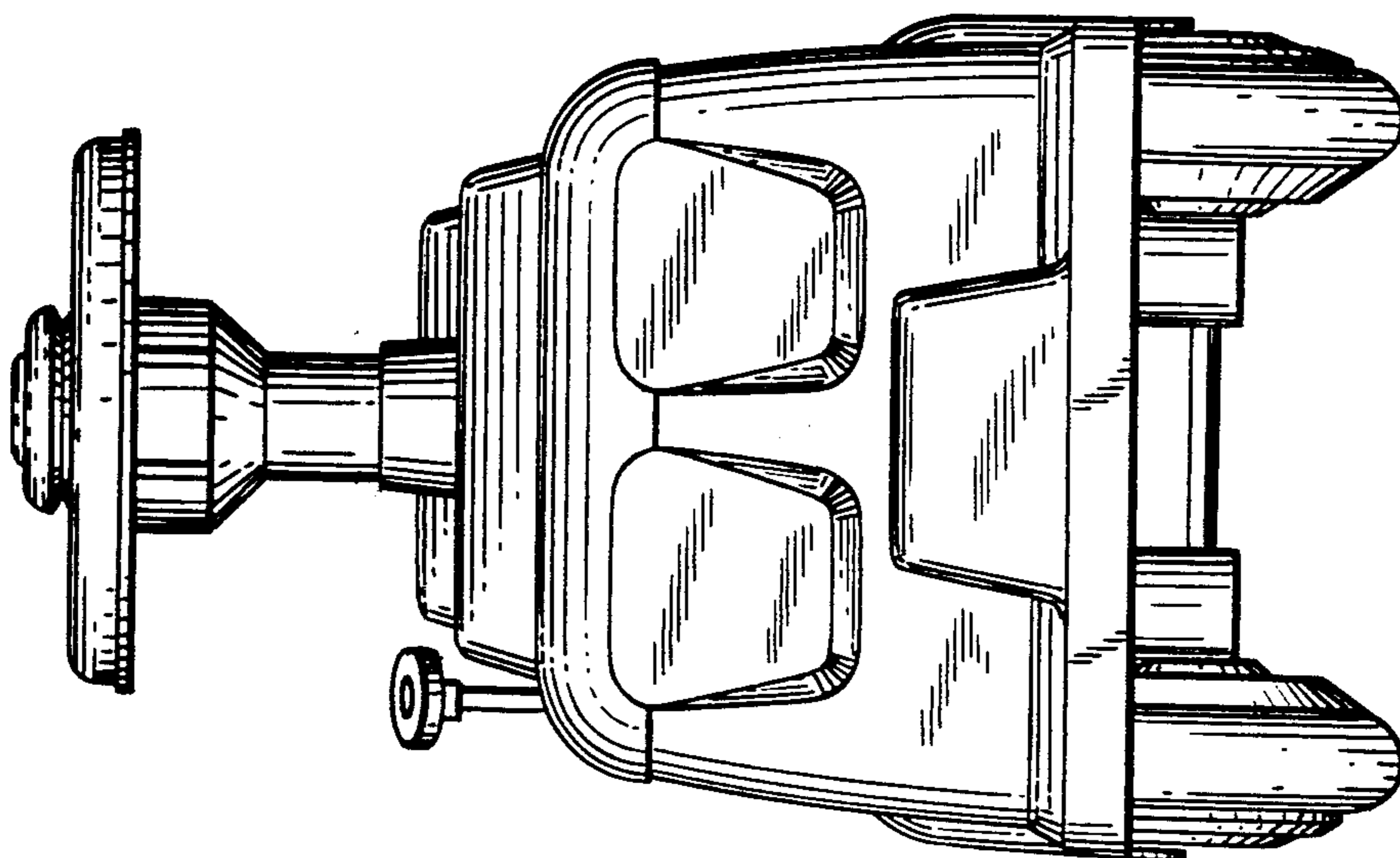


FIG. 3



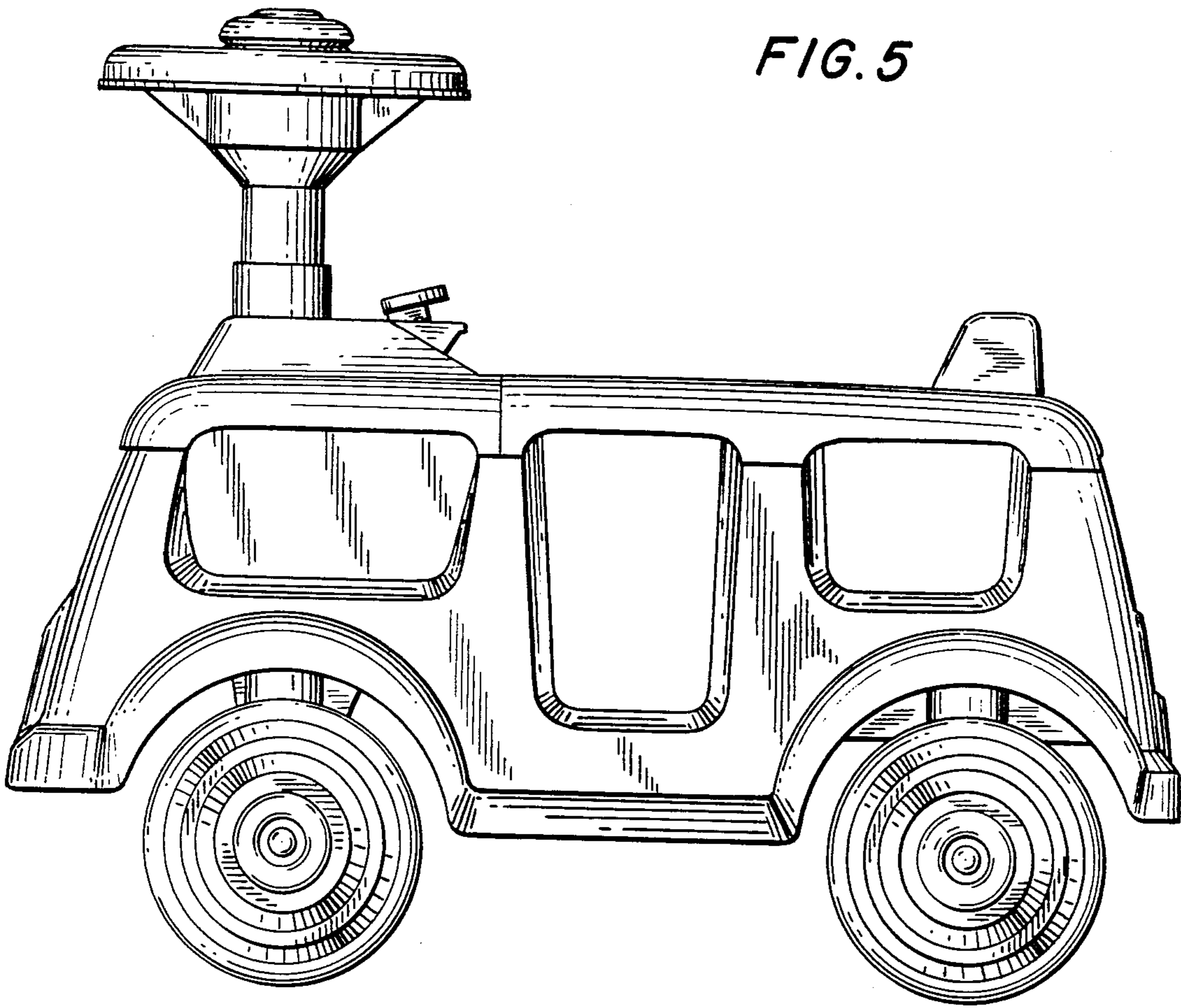


FIG. 5

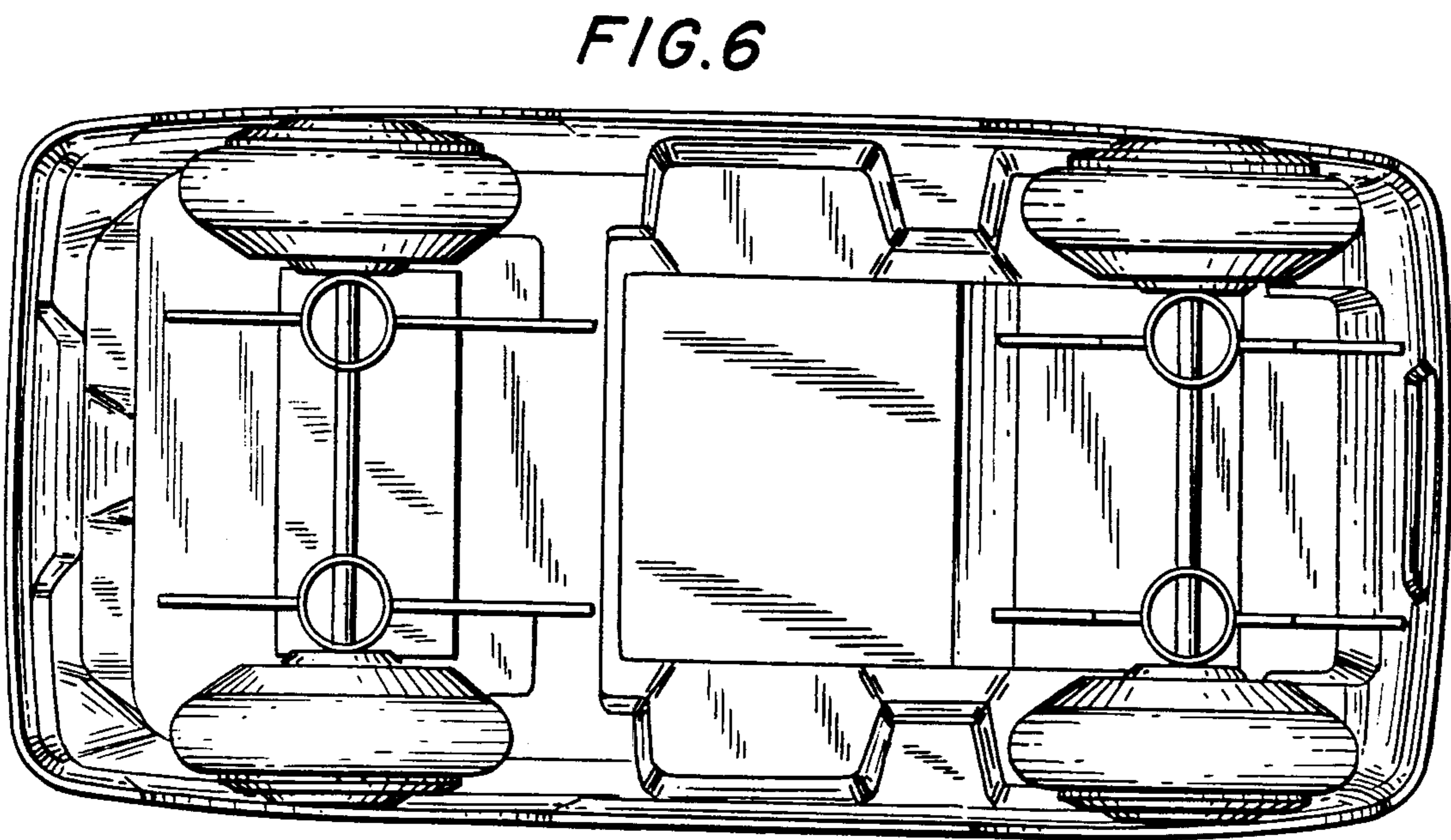


FIG. 6