

[54] CONTROL MODULE

[75] Inventor: Kenneth Pusl, Valencia, Calif.

[73] Assignee: Electrofilm, Inc., North Hollywood, Calif.

[**] Term: 14 Years

[21] Appl. No.: 905,804

[22] Filed: May 15, 1978

[51] Int. Cl. D13-03

[52] U.S. Cl. D13/32

[58] Field of Search D13/12, 32, 40, 41; 361/331, 332, 334, 335, 338, 346, 356, 357, 358, 379, 380, 381, 383, 384, 390-394, 399; 200/5 R, 5 A, 11 R, 14, 18, 16 R, 16 A, 17 R, 155 R, 293, 296, 297, 363

[56] References Cited

U.S. PATENT DOCUMENTS

3,246,086 4/1966 Jacobson 200/5 R
3,684,925 8/1972 Naff, Jr. 361/381

OTHER PUBLICATIONS

Electronic Technician, 1-1960, p. 5-Antenna Rotator Control.
House Beautiful, 3-1960, p. 63-Electric Blanket Control (#1).

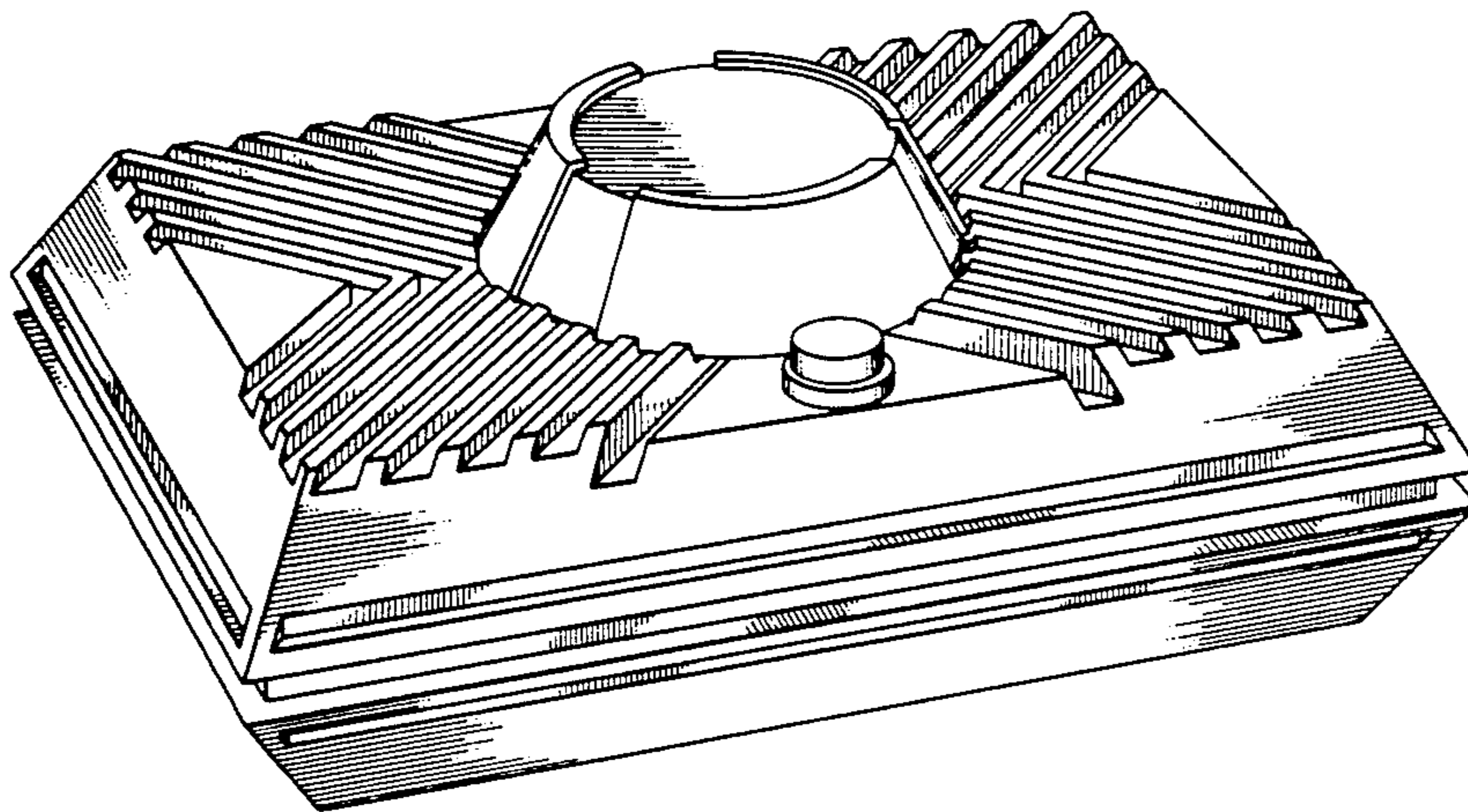
Primary Examiner—Susan J. Lucas
Attorney, Agent, or Firm—Lyon & Lyon

[57] CLAIM

The ornamental design for a control module, as shown.

DESCRIPTION

FIG. 1 is a top plan view of a control module showing the new design;
FIG. 2 is a right end elevational view thereof of the module;
FIG. 3 is a front elevational view; and
FIG. 4 is a rear elevational view thereof.
FIG. 5 is a perspective view thereof.



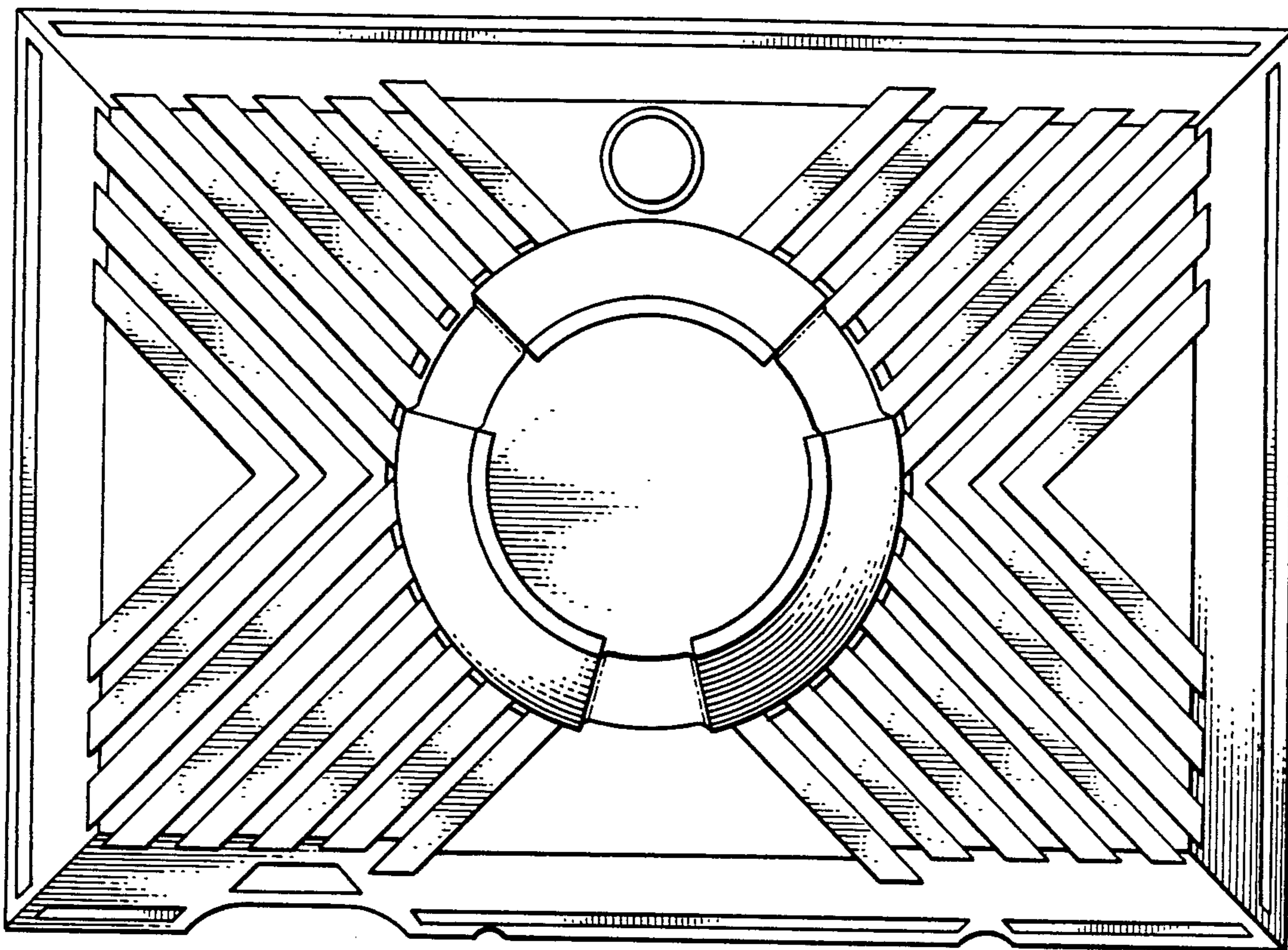


FIG. 1.

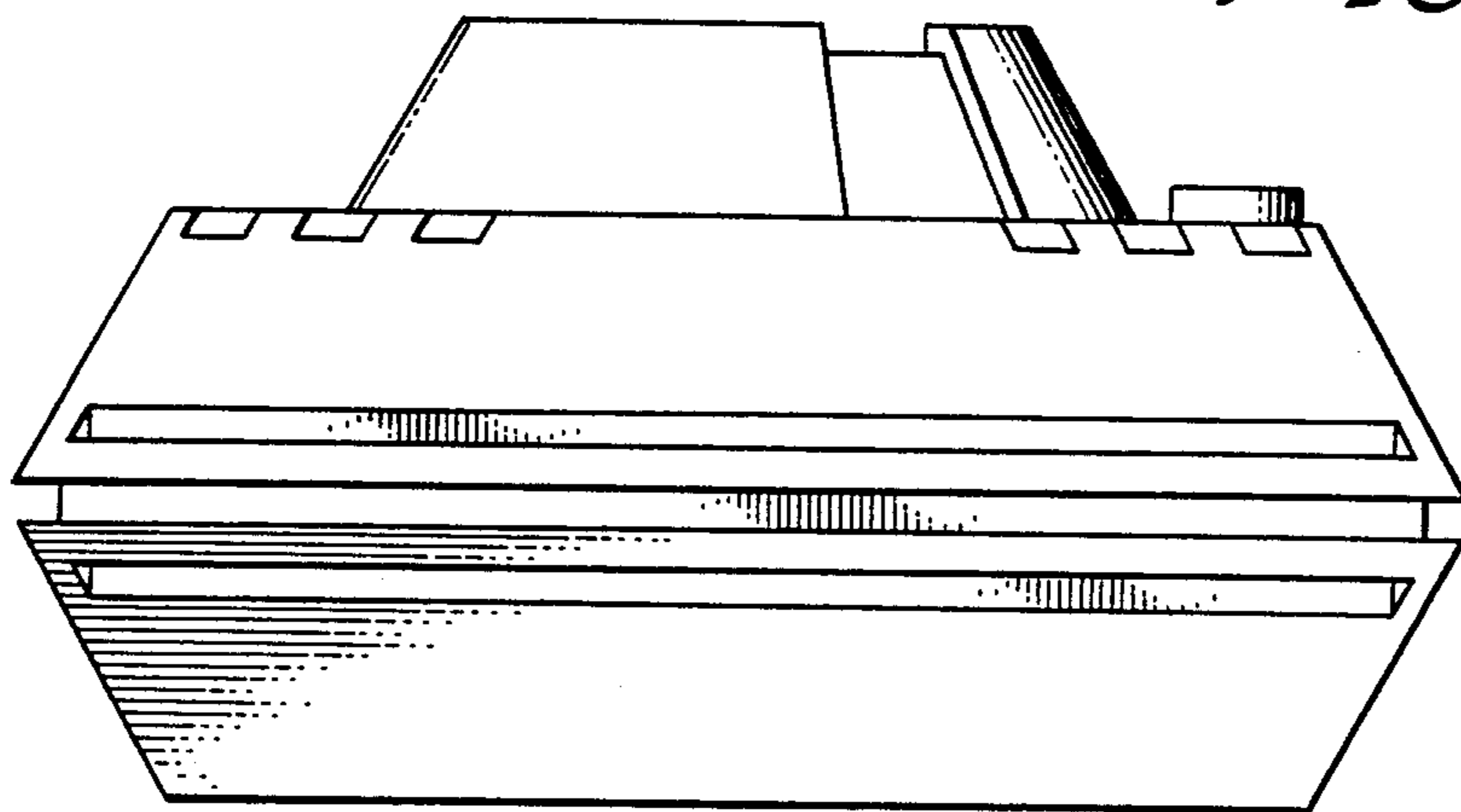


FIG. 2.

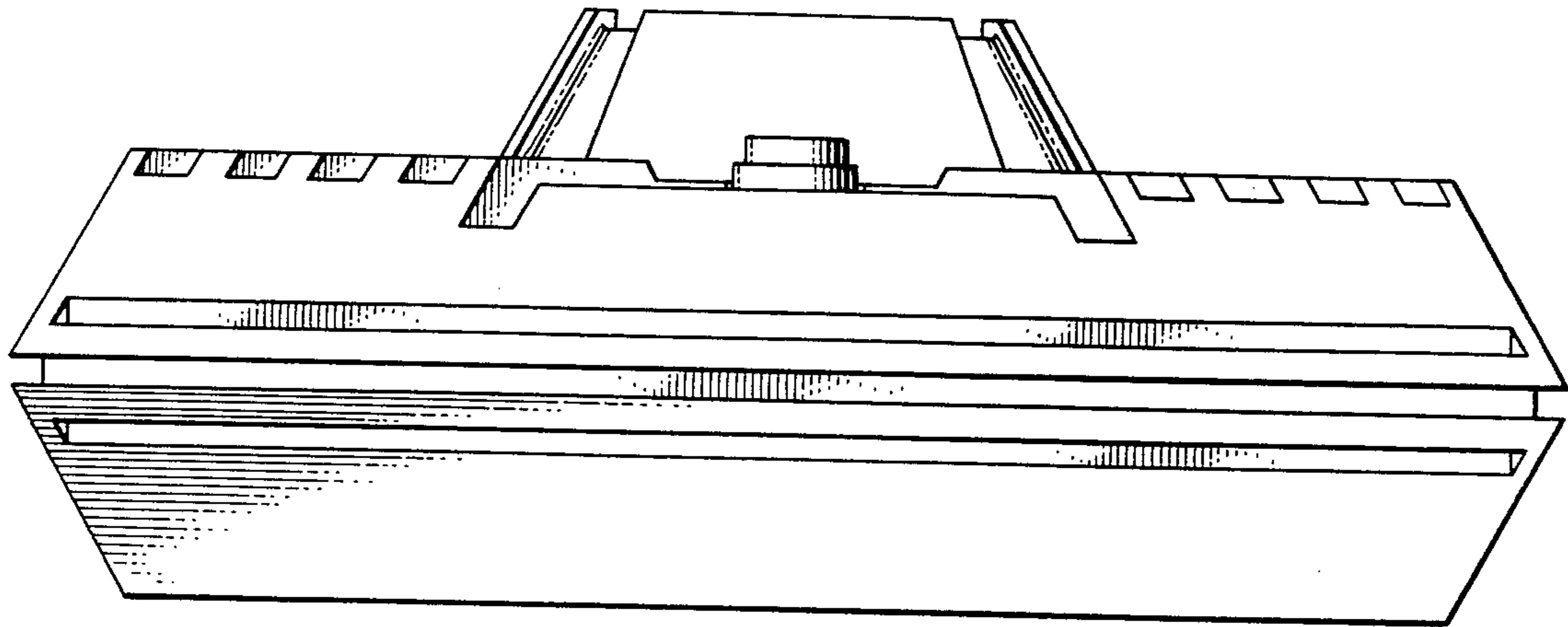
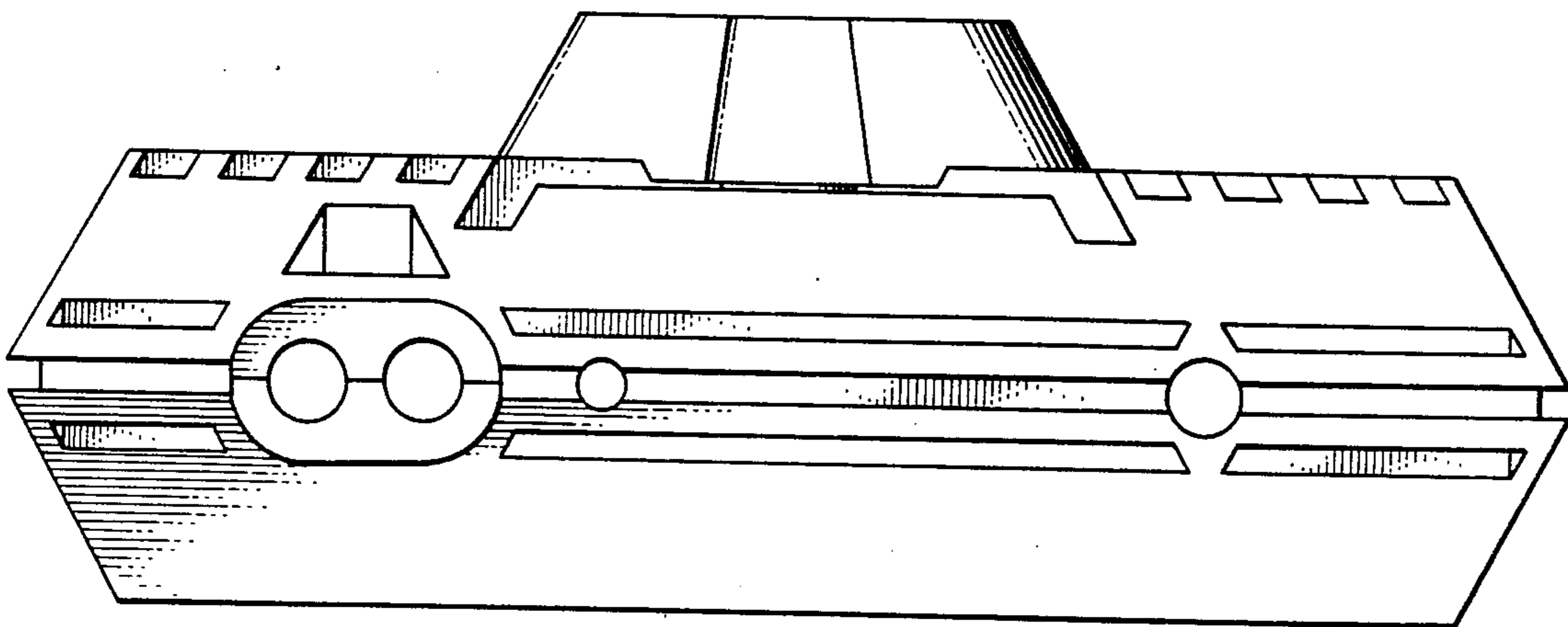


FIG. 3.

FIG. 4.



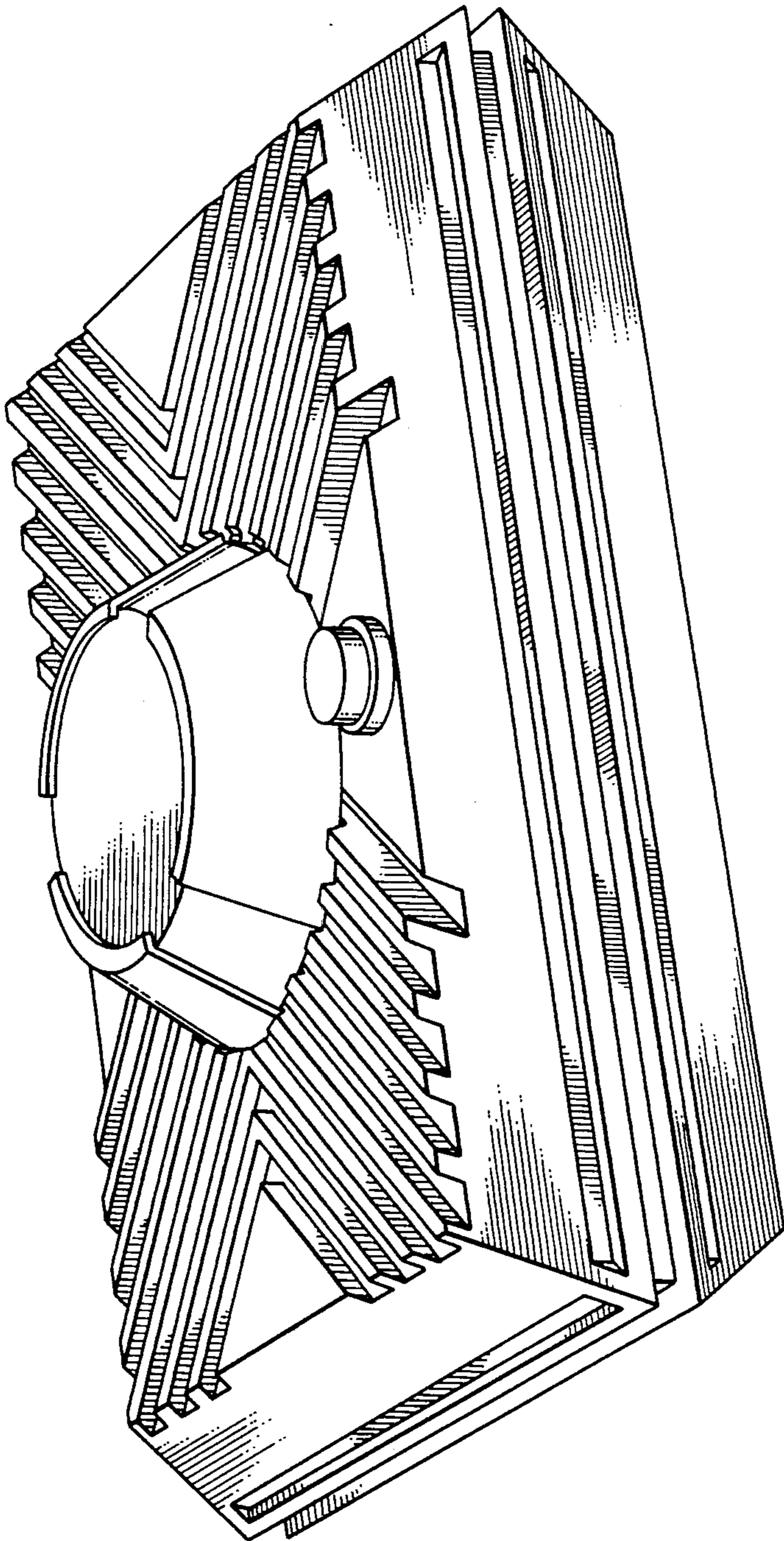


FIG. 5.