

[54] WHEEL CENTER

[76] Inventor: Merlyn R. Reppert, 28045 Palos Verdes Dr. East, Rancho Palos Verdes, Calif. 90274

[**] Term: 14 Years

[21] Appl. No.: 85,401

[22] Filed: Oct. 16, 1979

[51] Int. Cl. D12-16

[52] U.S. Cl. D12/209; D12/211

[58] Field of Search D12/205, 207, 209, 211; 301/37 R, 37 P, 63 R, 64 R, 64 SD, 65, 66, 104, 108 R

[56] References Cited

U.S. PATENT DOCUMENTS

D. 237,703 11/1975 Clement et al. D12/211

D. 248,390 7/1978 Lester D12/205
D. 248,749 8/1978 Siroonian D12/211
1,935,765 11/1933 Burger 301/65

Primary Examiner—James M. Gandy
Attorney, Agent, or Firm—Thomas A. Seeman

[57] CLAIM

The ornamental design for a wheel center, as shown and described.

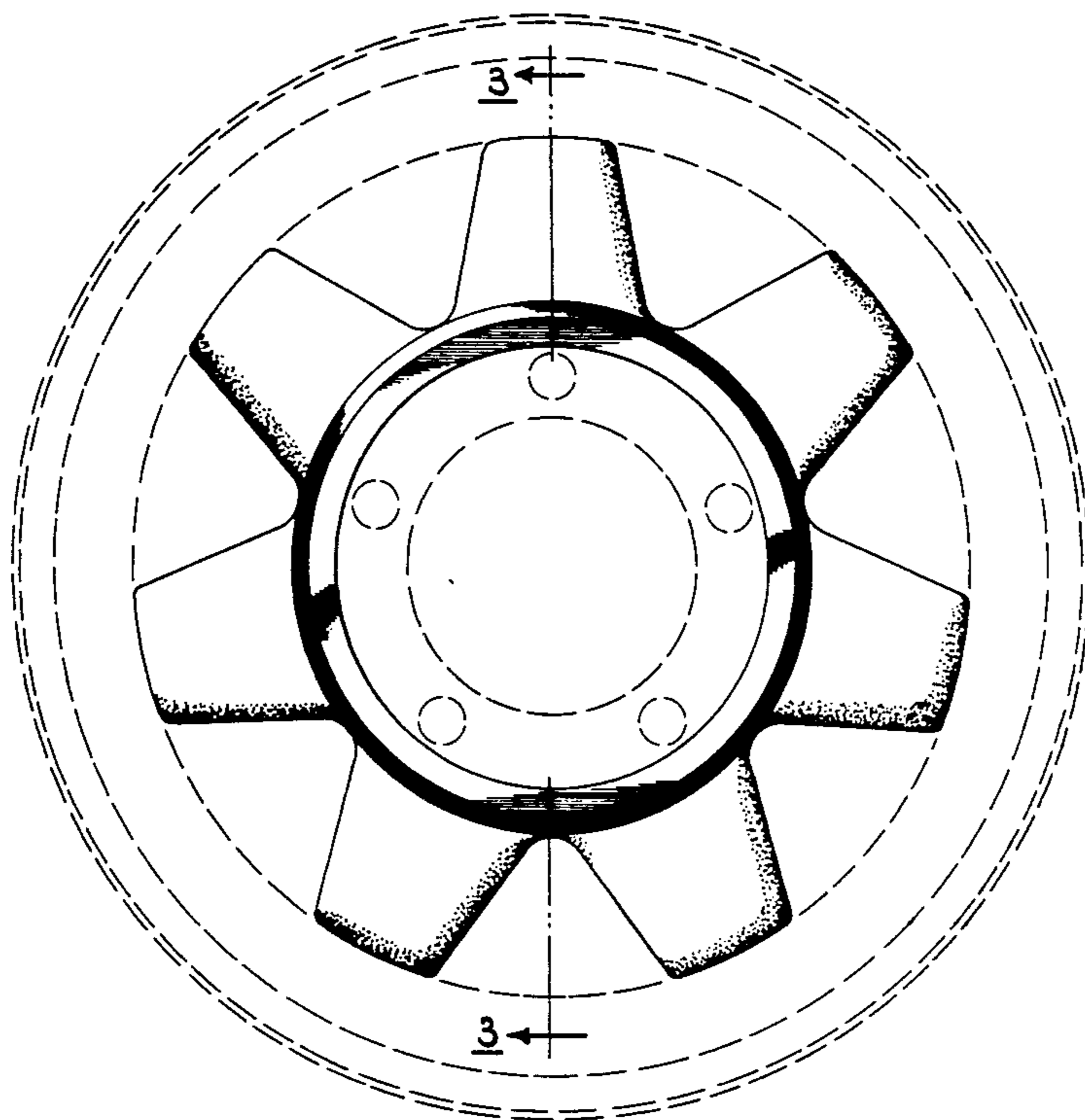
DESCRIPTION

FIG. 1 is a front elevational view of a wheel center showing my new design;

FIG. 2 is an end elevational view thereof with the front of the wheel center facing upwardly;

FIG. 3 is a cross-sectional view thereof taken along the line 3—3 in FIG. 1;

The broken lines in FIGS. 1, 2, and 3 of the drawings are for illustration purposes only.



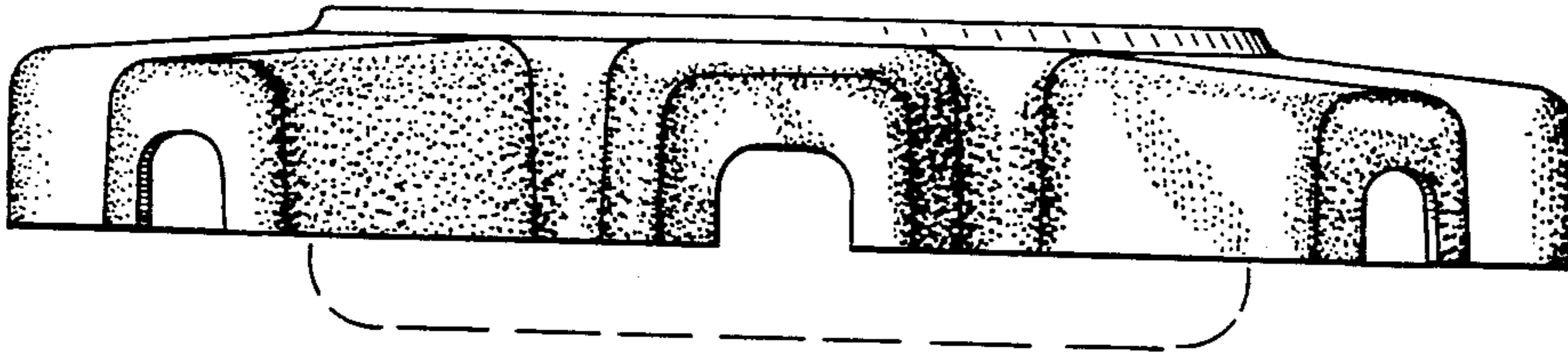


FIG. 2

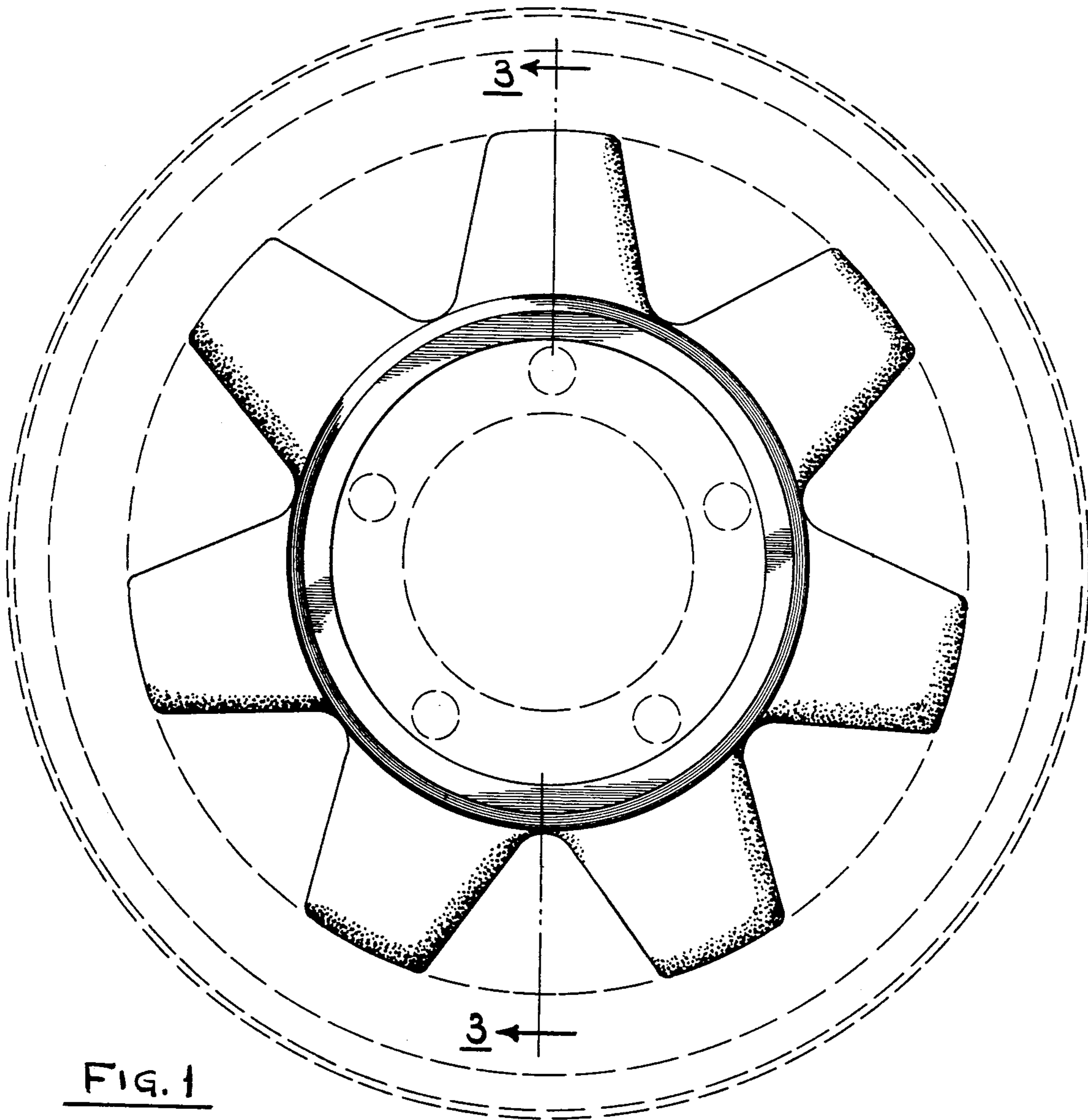


FIG. 1

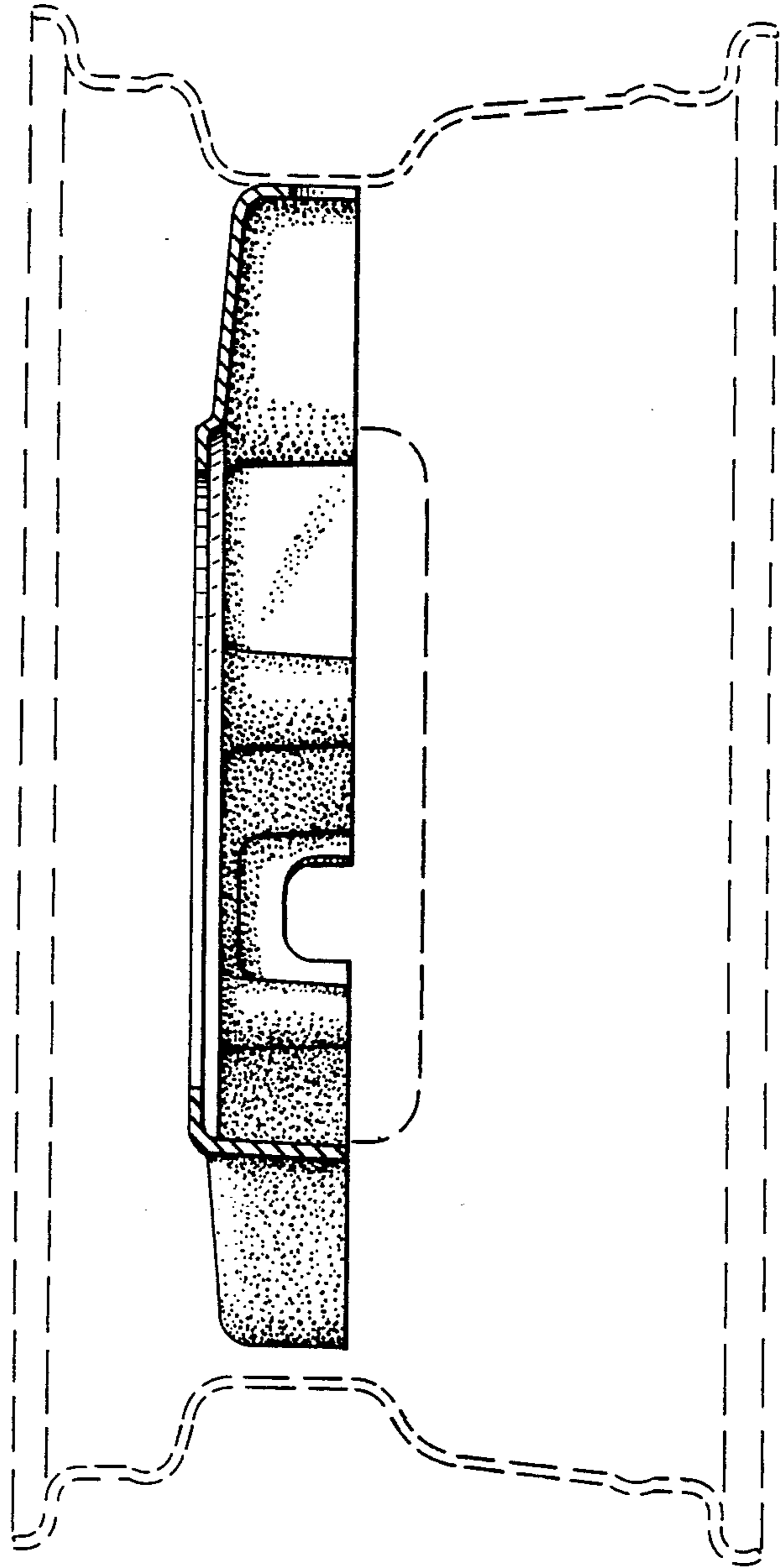


FIG. 3