

[54] WHEEL

[76] Inventor: Curtis Norris, 502 W. Aurora St., Santa Ana, Calif. 92707

[**] Term: 14 Years

[21] Appl. No.: 937,256

[22] Filed: Aug. 28, 1978

[51] Int. Cl. D12-16

[52] U.S. Cl. D12/205

[58] Field of Search D12/205, 209; 301/63 R, 301/64 R, 64 SD, 65, 66, 73, 54, 58

[56] References Cited

U.S. PATENT DOCUMENTS

D. 168,977	3/1953	Ryerson	D12/205
D. 226,376	2/1973	Main et al.	D12/209
D. 243,003	1/1977	Reppert	D12/205
D. 248,749	8/1978	Siroonian	D12/211
D. 252,748	8/1979	Reppert	D12/205

OTHER PUBLICATIONS

Modern Tire Dealer Annual Products Catalog Mid Apr. 1978, p. 44, California Wire Wheel, center of page.

Primary Examiner—James M. Gandy
Attorney, Agent, or Firm—Georges A. Maxwell

[57] CLAIM

The ornamental design for a wheel, as shown.

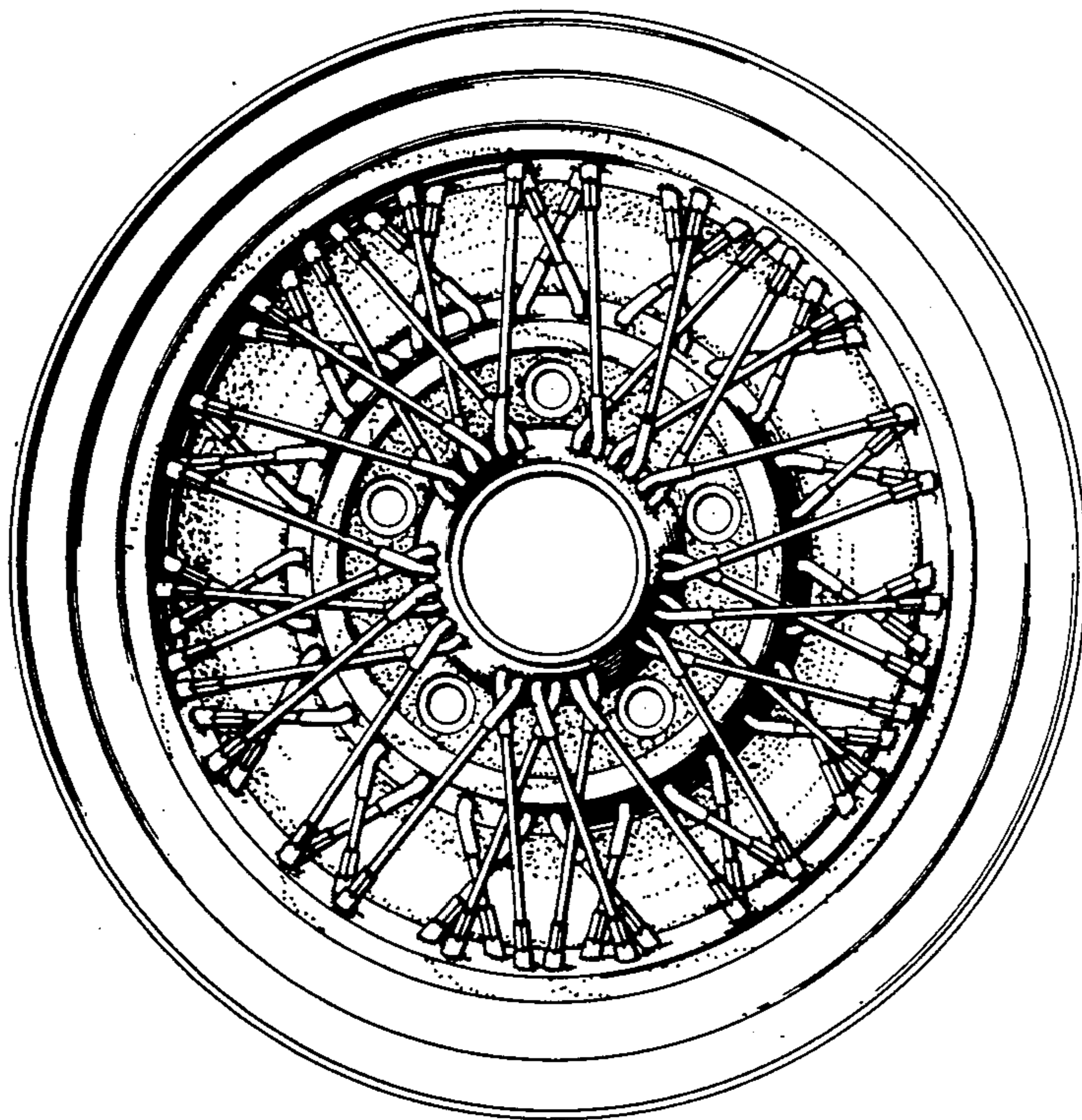
DESCRIPTION

FIG. 1 is a front elevational view of a wheel showing my new design;

FIG. 2 is a rear elevational view thereof on a reduced scale;

FIG. 3 is a side elevational view thereof on a reduced scale; and

FIG. 4 is a sectional view thereof on a reduced scale taken on the line 4—4 in FIG. 2 with the spokes broken away in the middle for convenience of illustration.



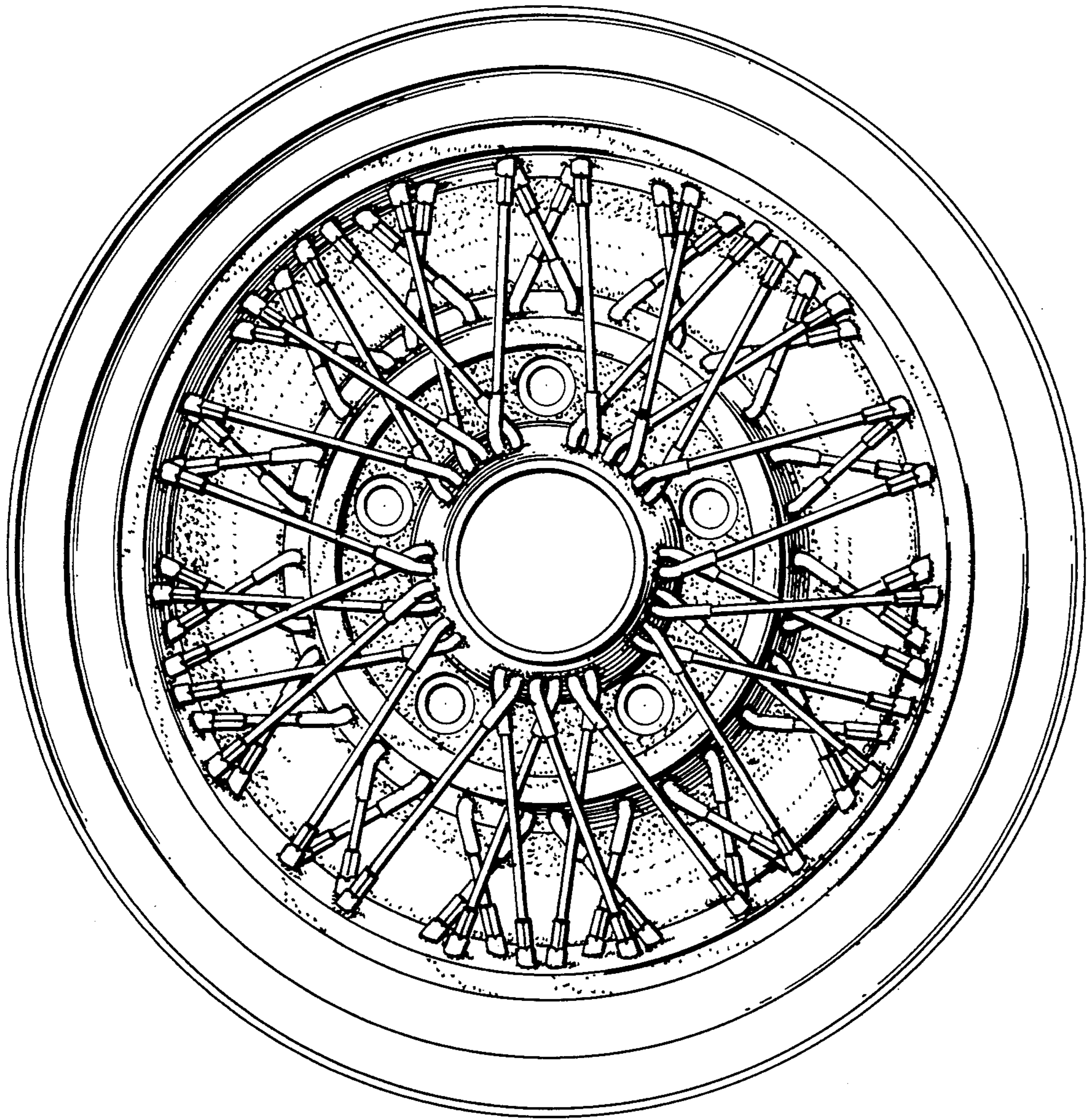


Fig. 1.

Fig. 2.

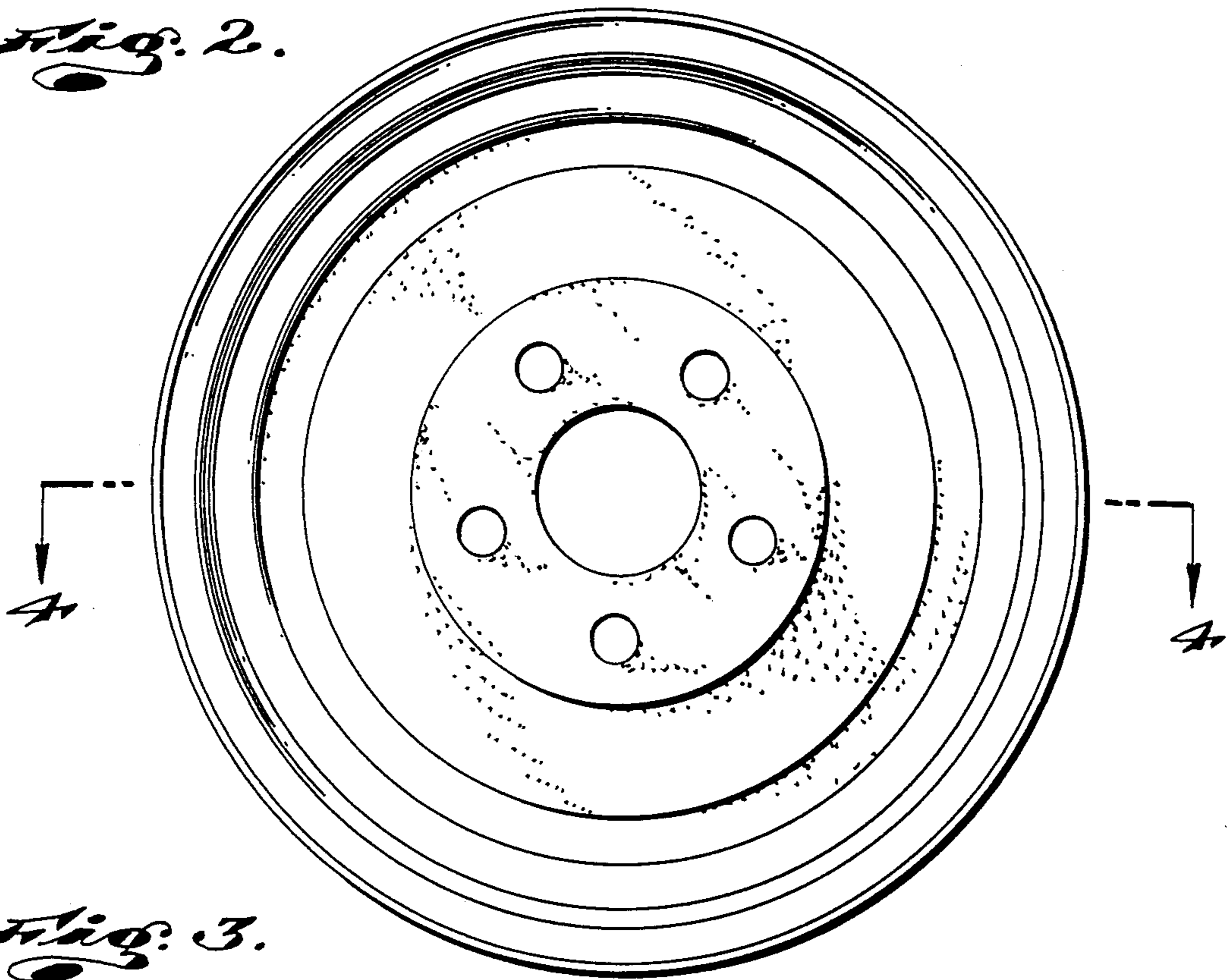


Fig. 3.

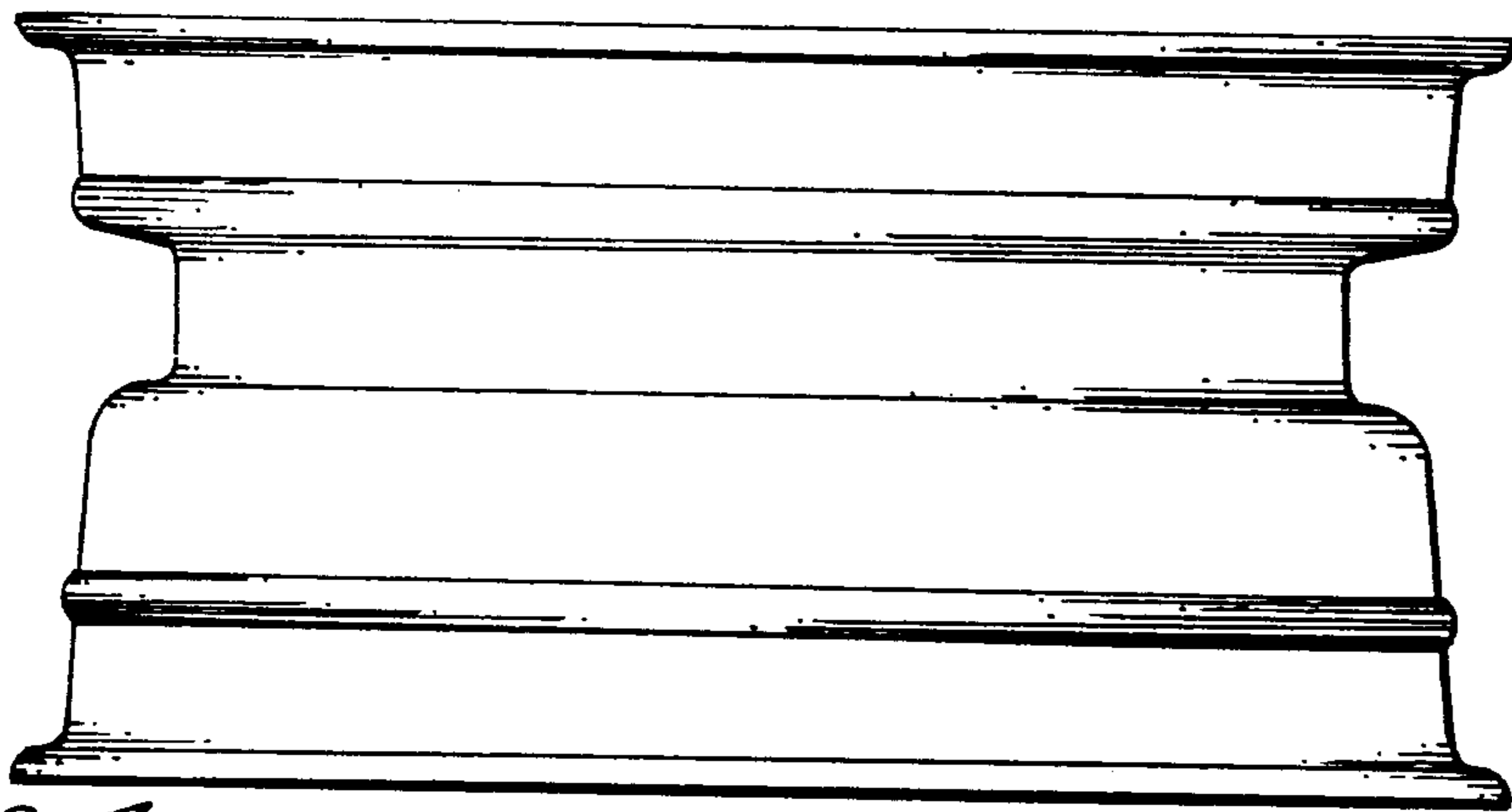


Fig. 4.

