

[54] BACK-UP REAR VIEW MIRROR FOR TRUCKS AND LIKE VEHICLES

[56] References Cited

[76] Inventor: Toshio Watanabe, 24007 South Broad St., Carson, Calif. 90745

U.S. PATENT DOCUMENTS

2,413,894 1/1947 Sorensen D12/189

[**] Term: 14 Years

FOREIGN PATENT DOCUMENTS

585607 11/1958 Italy 350/304

Primary Examiner—James M. Gandy
Attorney, Agent, or Firm—Francis X. LoJacono

[21] Appl. No.: 46,303

[57] CLAIM

The ornamental design for a back-up rear view mirror for trucks and like vehicles, as shown and described.

[22] Filed: Jun. 7, 1979

DESCRIPTION

[51] Int. Cl. D12-16

FIG. 1 is a perspective view of a back-up rear view mirror for trucks and like vehicles, showing my new design;

[52] U.S. Cl. D12/187; D12/189

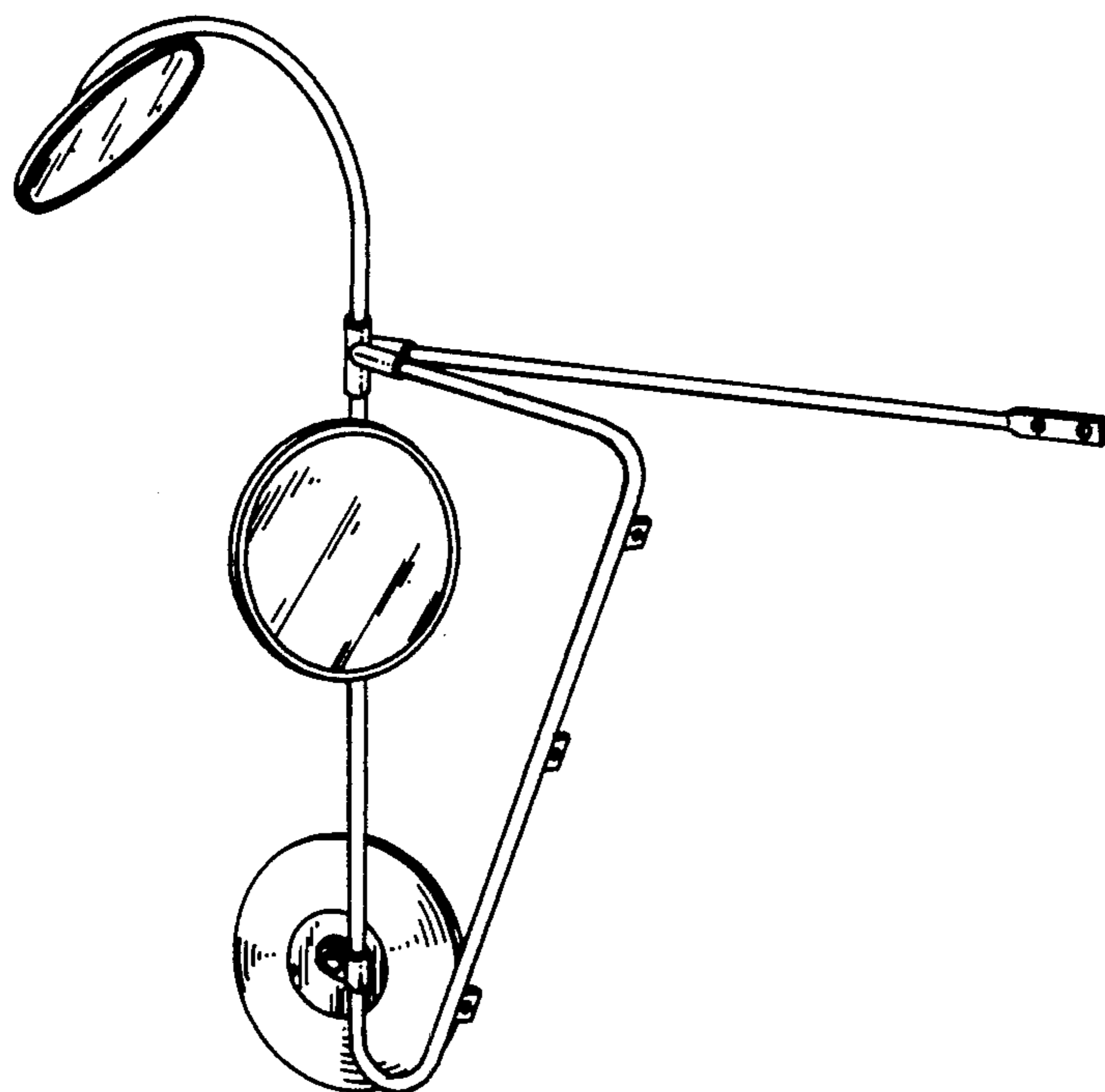
FIG. 2 is a side-elevational view thereof;

[58] Field of Search D12/187; D6/234, 243,

FIG. 3 is a rear-elevational view thereof; and

D6/245; 350/299, 302, 304, 307, 288; 248/476, 475 R

FIG. 4 is a bottom plan view thereof.



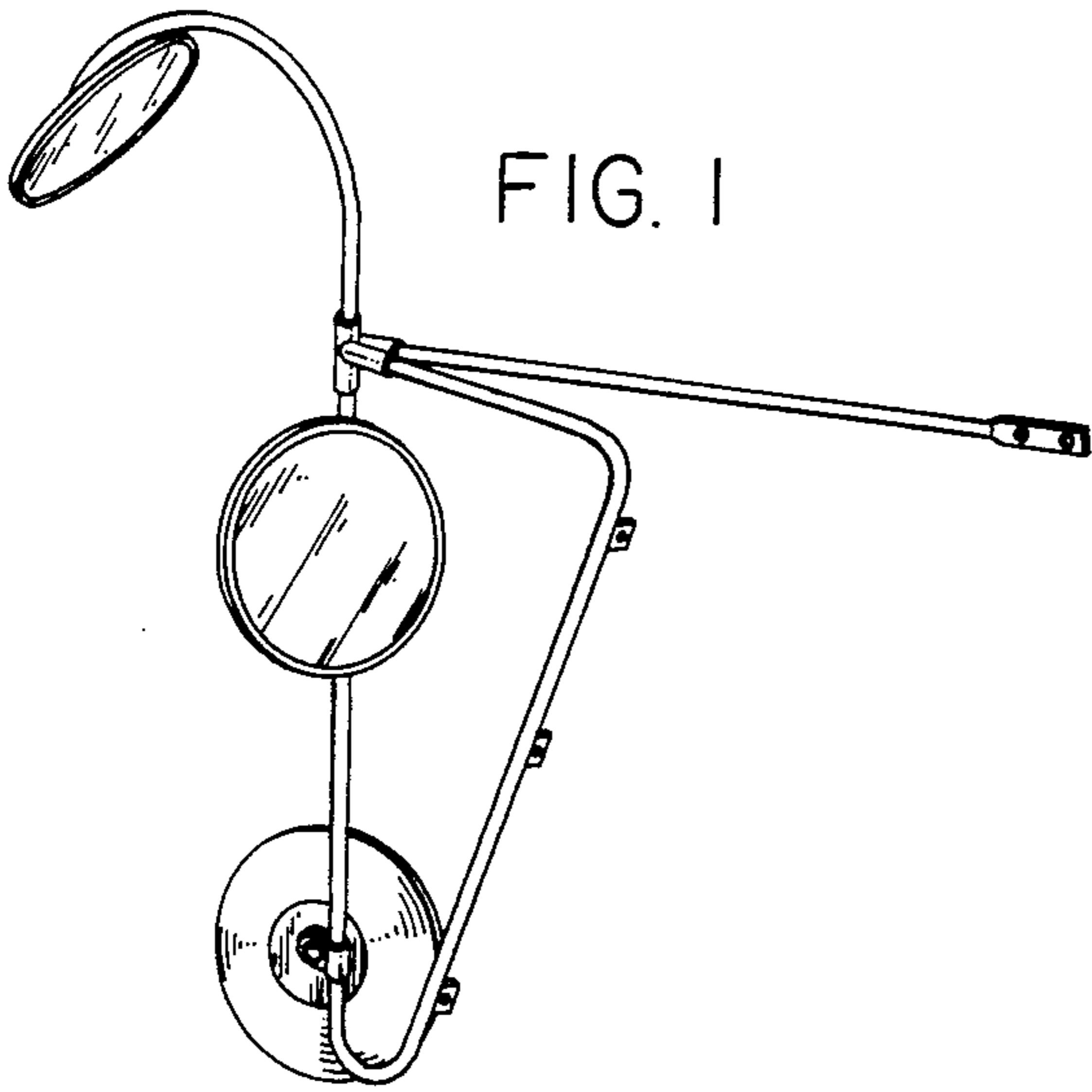


FIG. 1

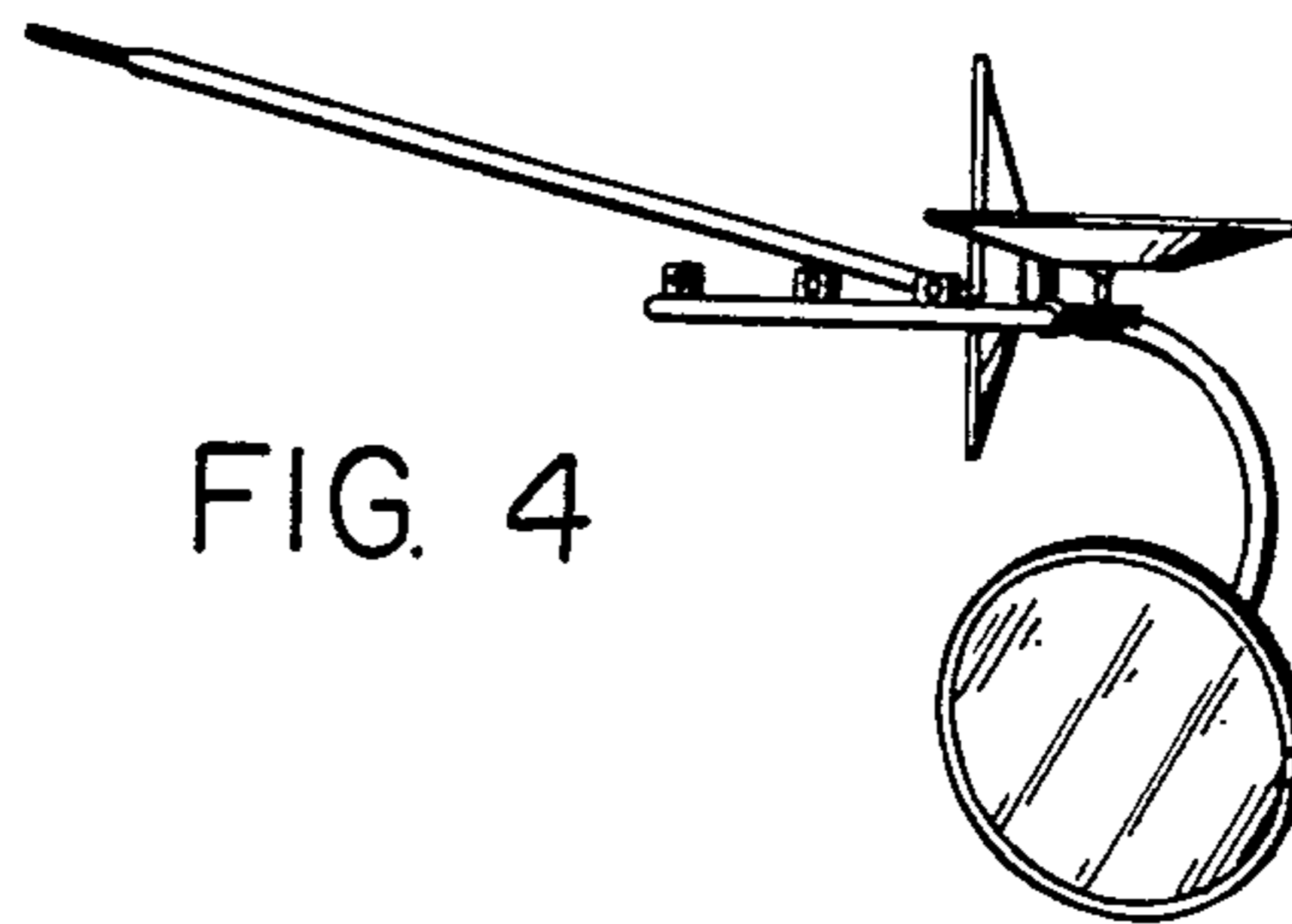


FIG. 4

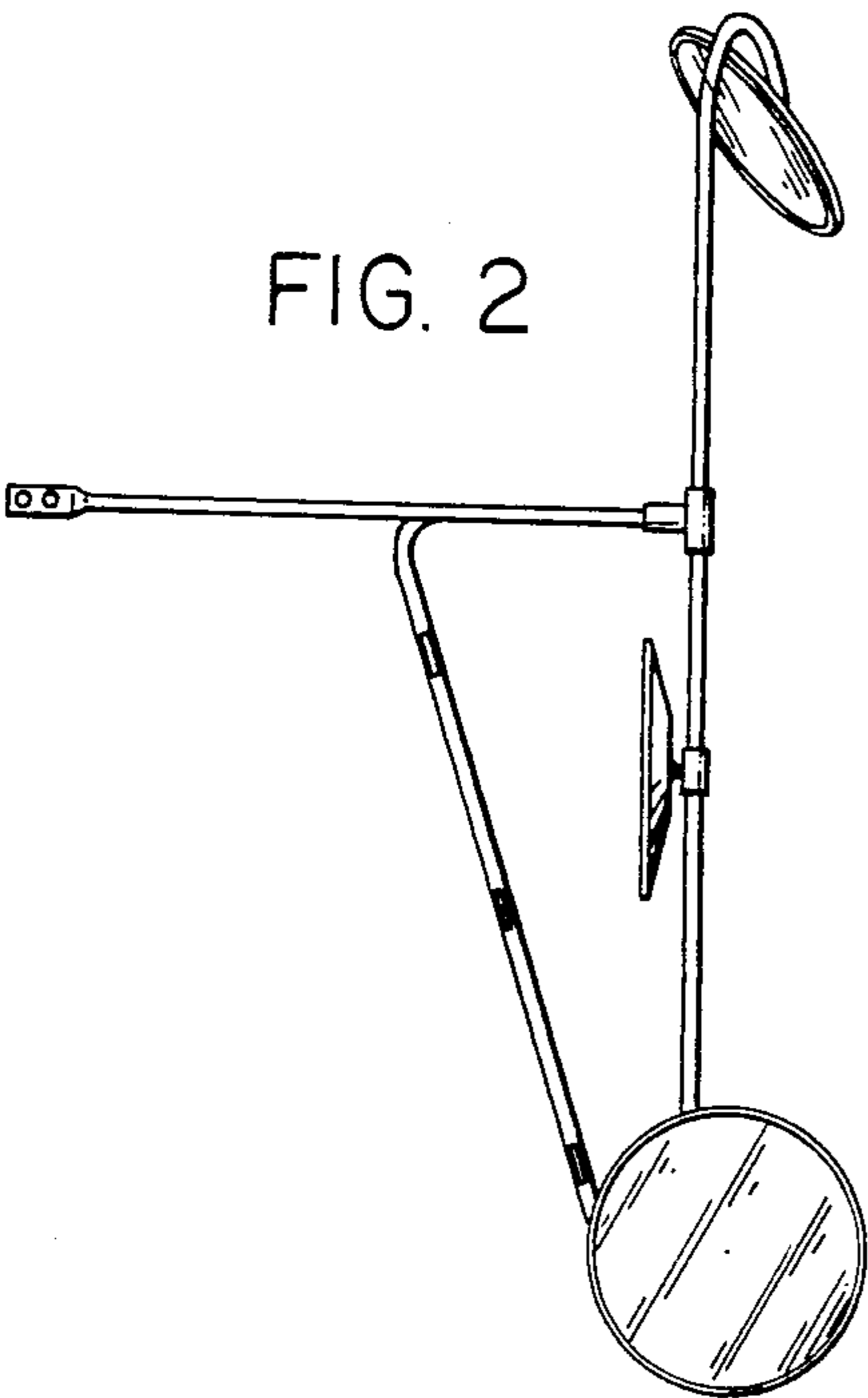


FIG. 2

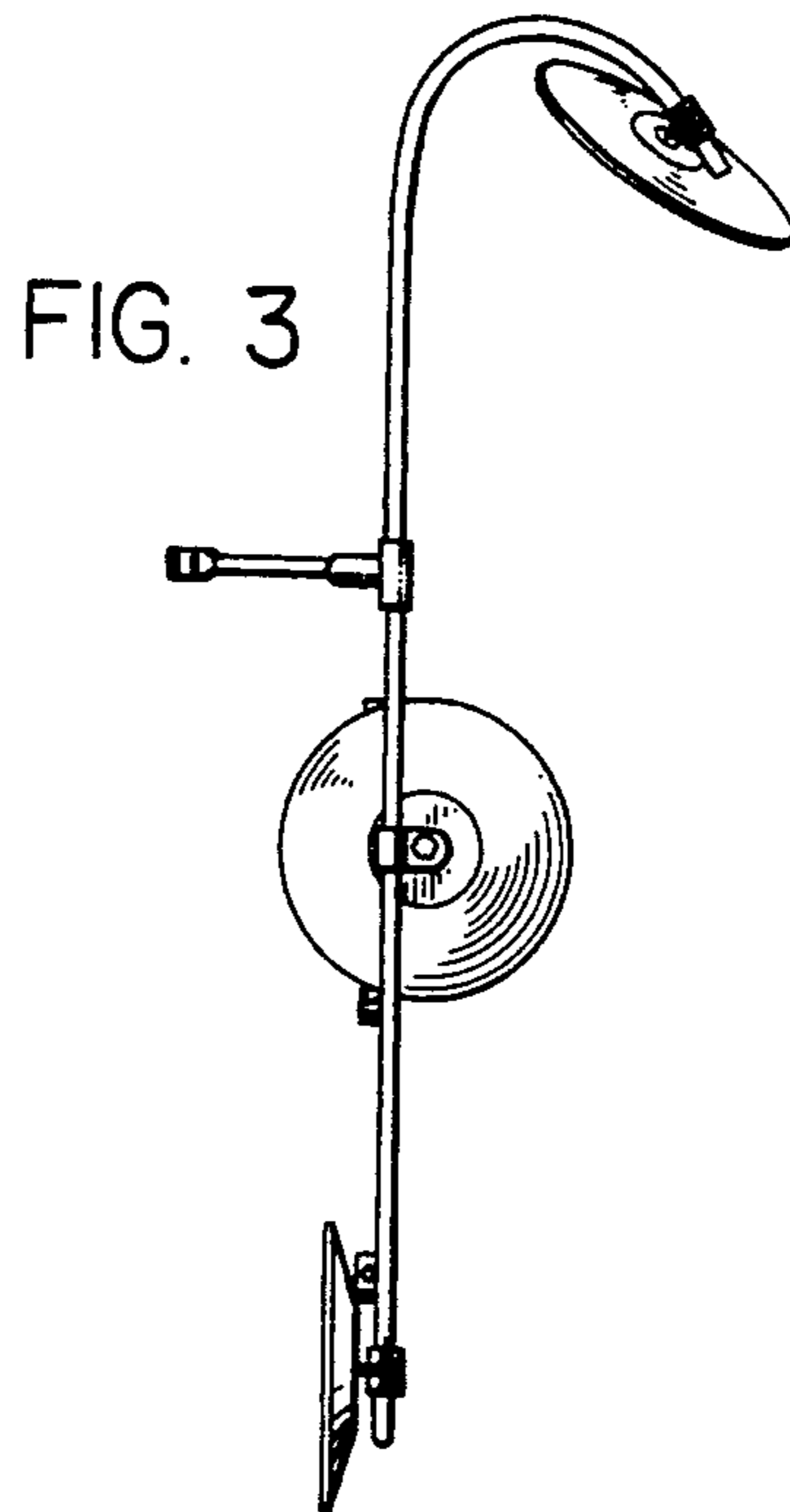


FIG. 3