

[54] VAN DOOR LUGGAGE RACK

[76] Inventor: Dennis A. Melilli, 68-408 Indigo, Cathedral City, Calif. 92234

[**] Term: 14 Years

[21] Appl. No.: 949,441

[22] Filed: Oct. 10, 1978

[51] Int. Cl. D12-16

[52] U.S. Cl. D12/157; D12/158

[58] Field of Search D12/158, 157; 224/42.03 B, 309, 273

[56] References Cited

U.S. PATENT DOCUMENTS

3,921,869 11/1975 Rogers 224/42.03 B

OTHER PUBLICATIONS

Bicycling, 2/73, p. 21, Allen Universal Bike Rack, top right side of page.

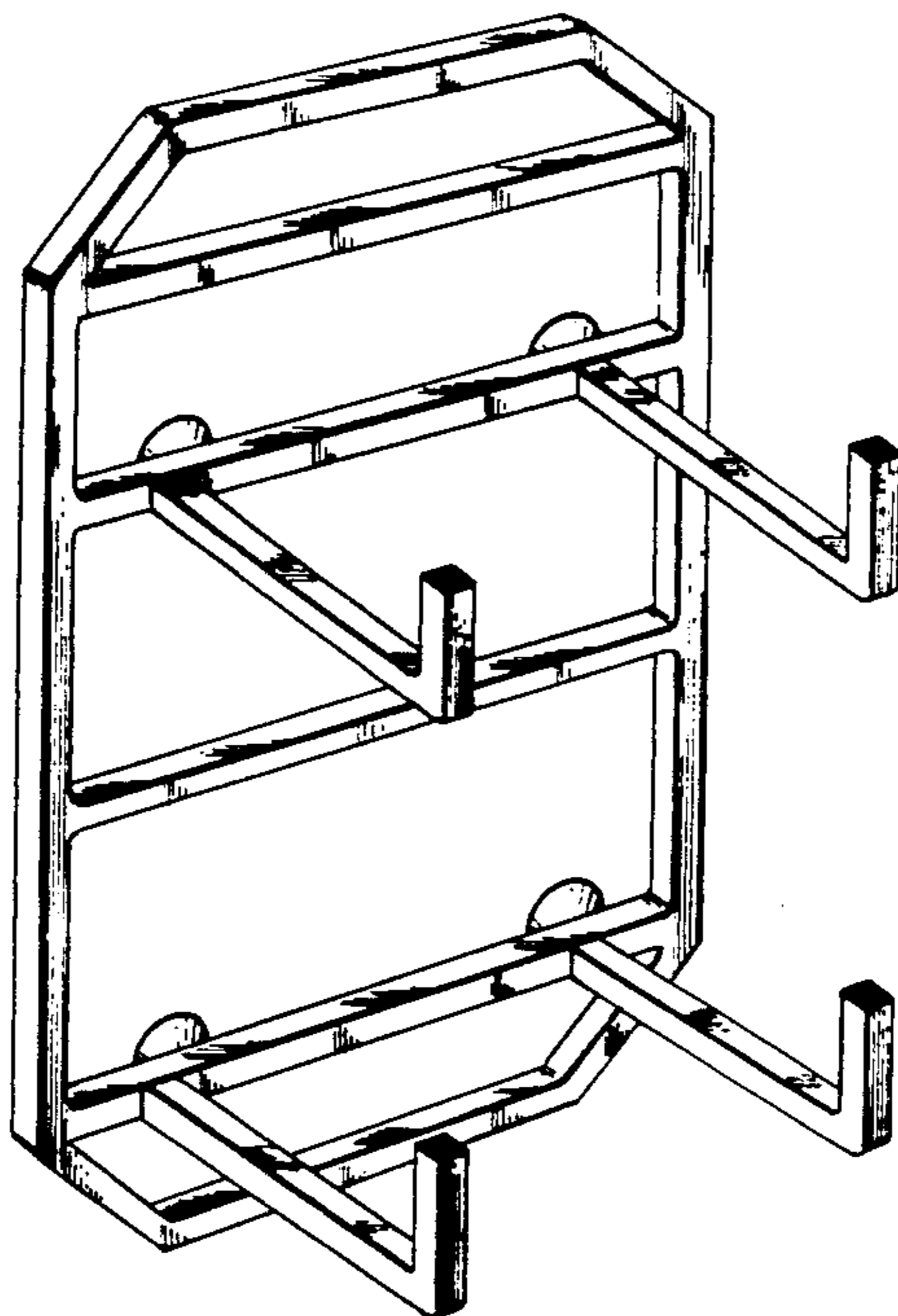
Primary Examiner—James M. Gandy
Attorney, Agent, or Firm—Singer & Singer

[57] CLAIM

The ornamental design for a van door luggage rack, as shown.

DESCRIPTION

FIG. 1 is a perspective view of a van door luggage rack showing my new design;
FIG. 2 is a front elevational view thereof;
FIG. 3 is a rear elevational view thereof;
FIG. 4 is a left side elevational view thereof;
FIG. 5 is a top plan view thereof; and
FIG. 6 is a bottom plan view thereof.



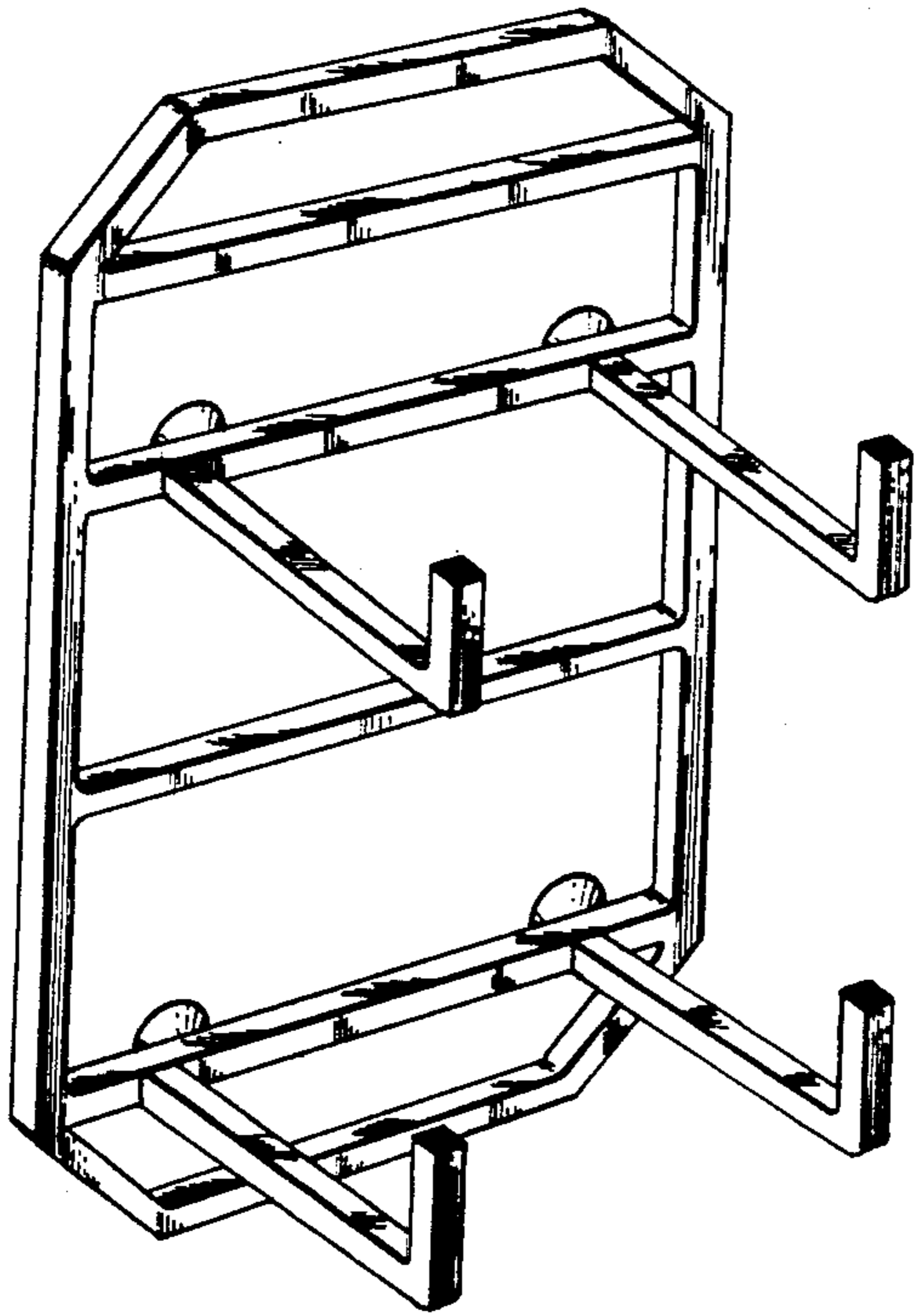


Fig. 1.

Fig. 2.

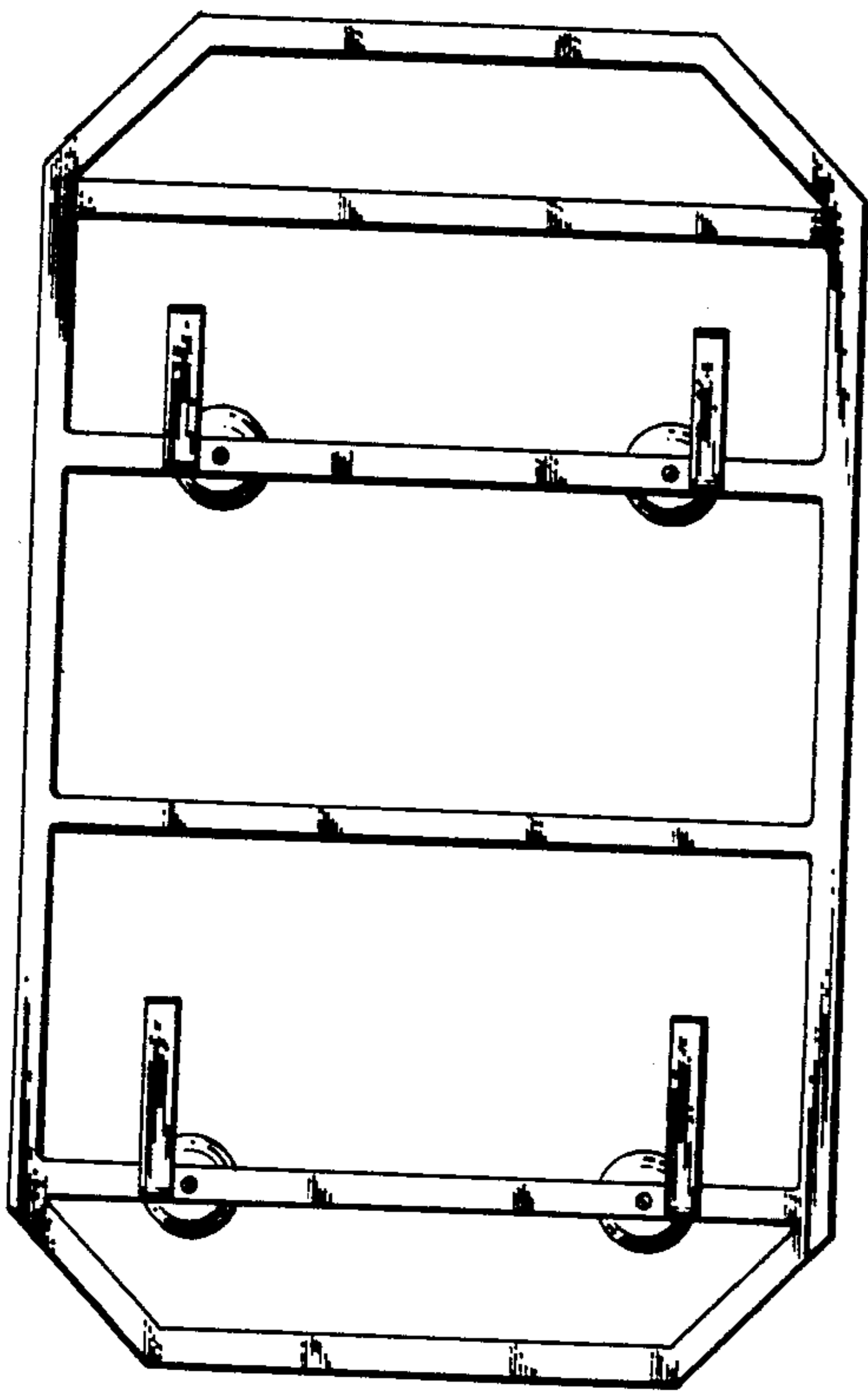


Fig. 3.

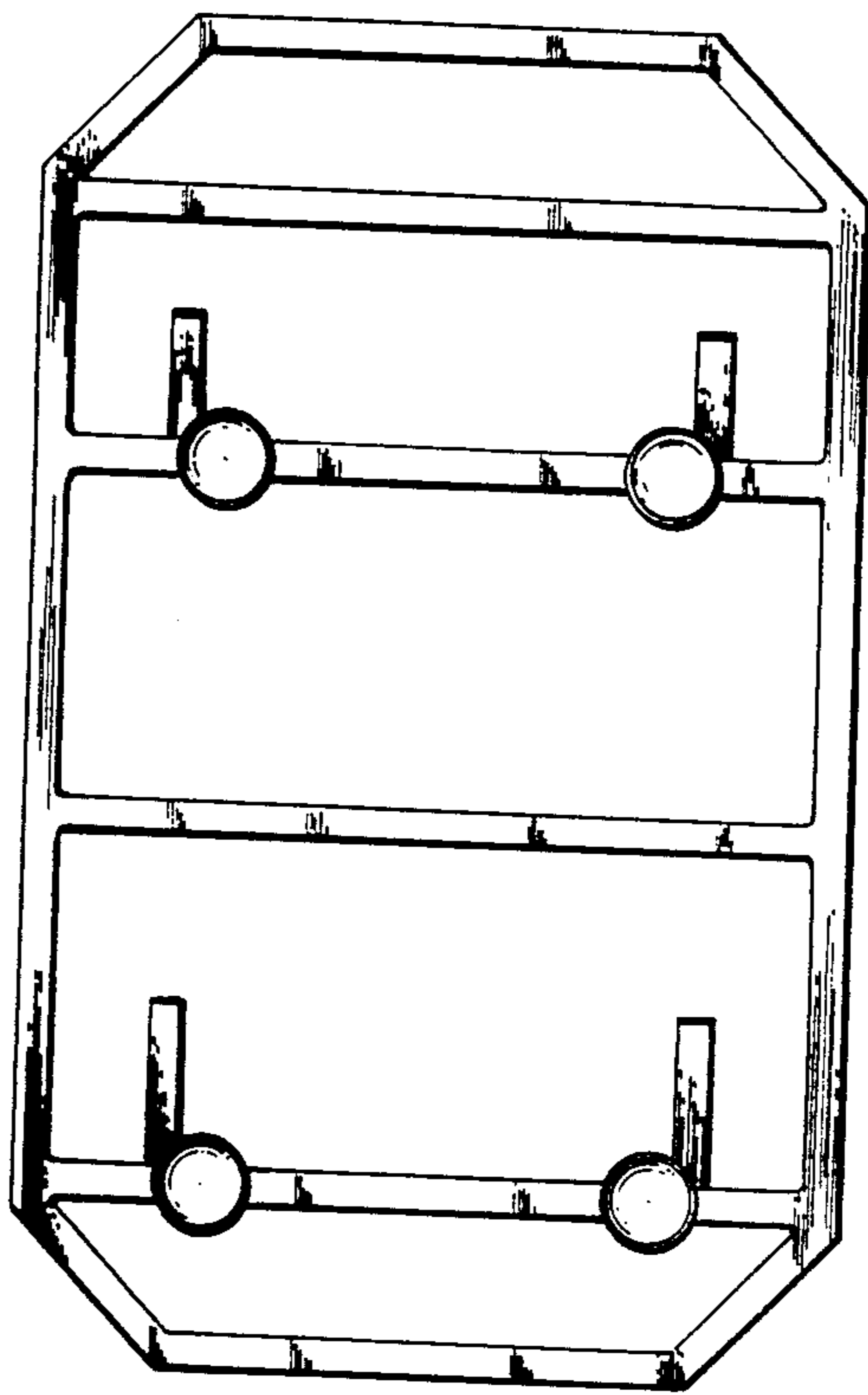


Fig. 4.

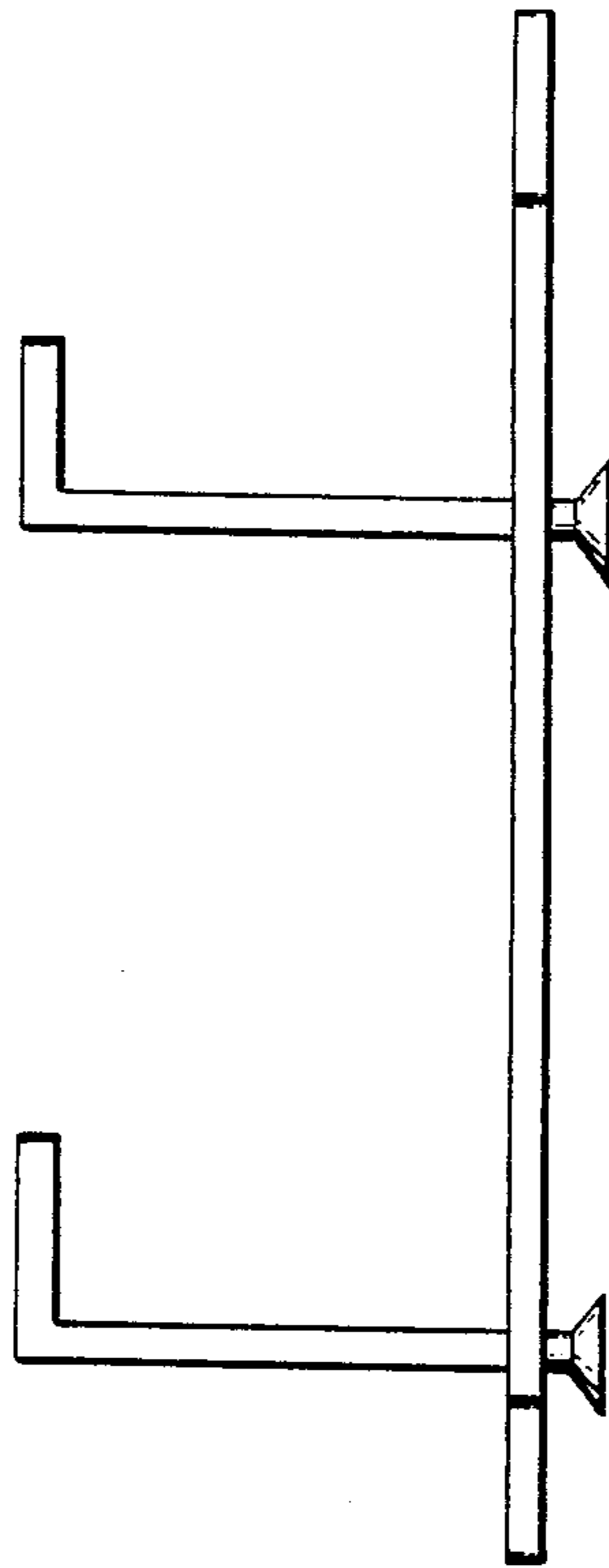


Fig. 5.

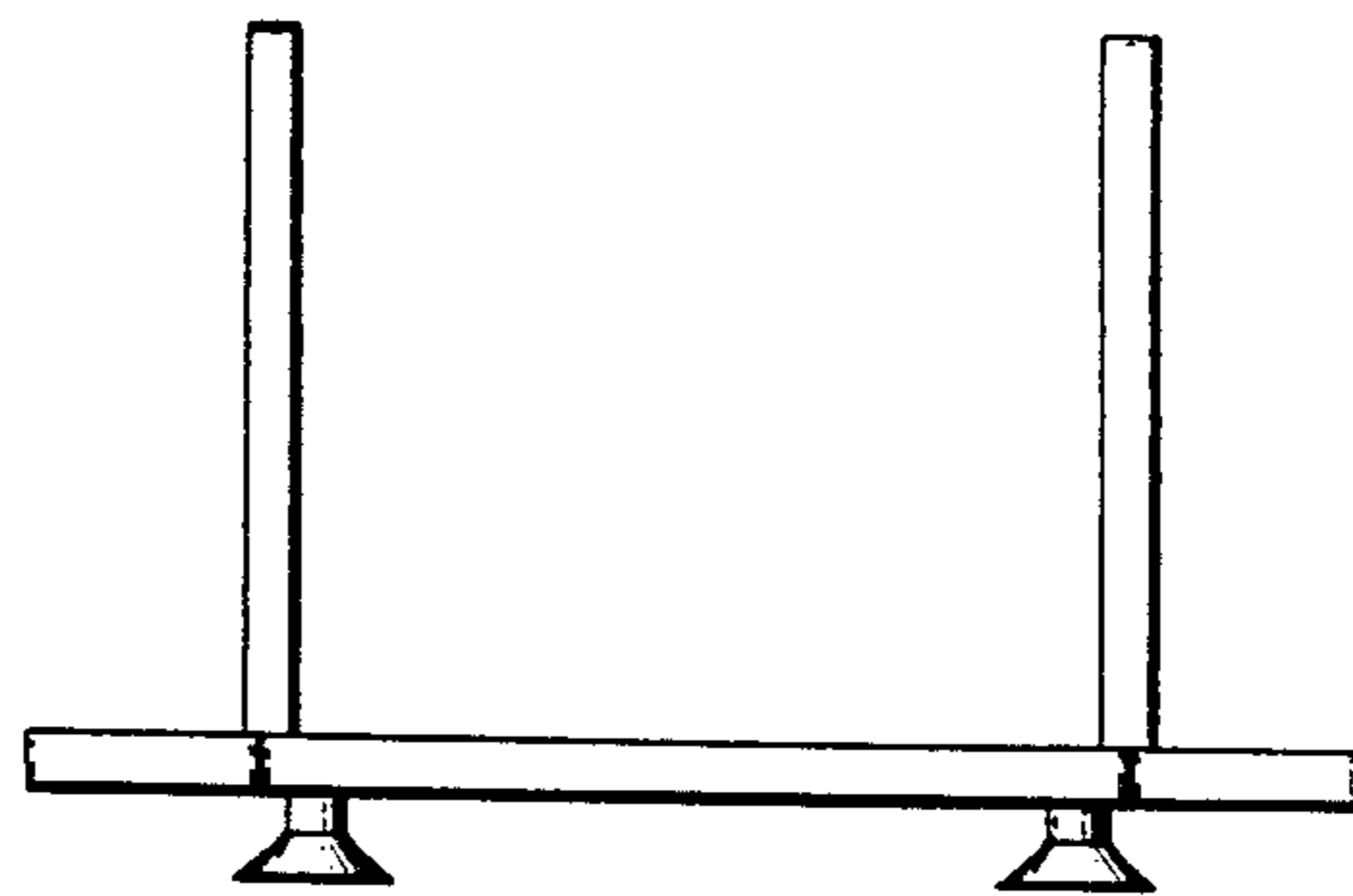
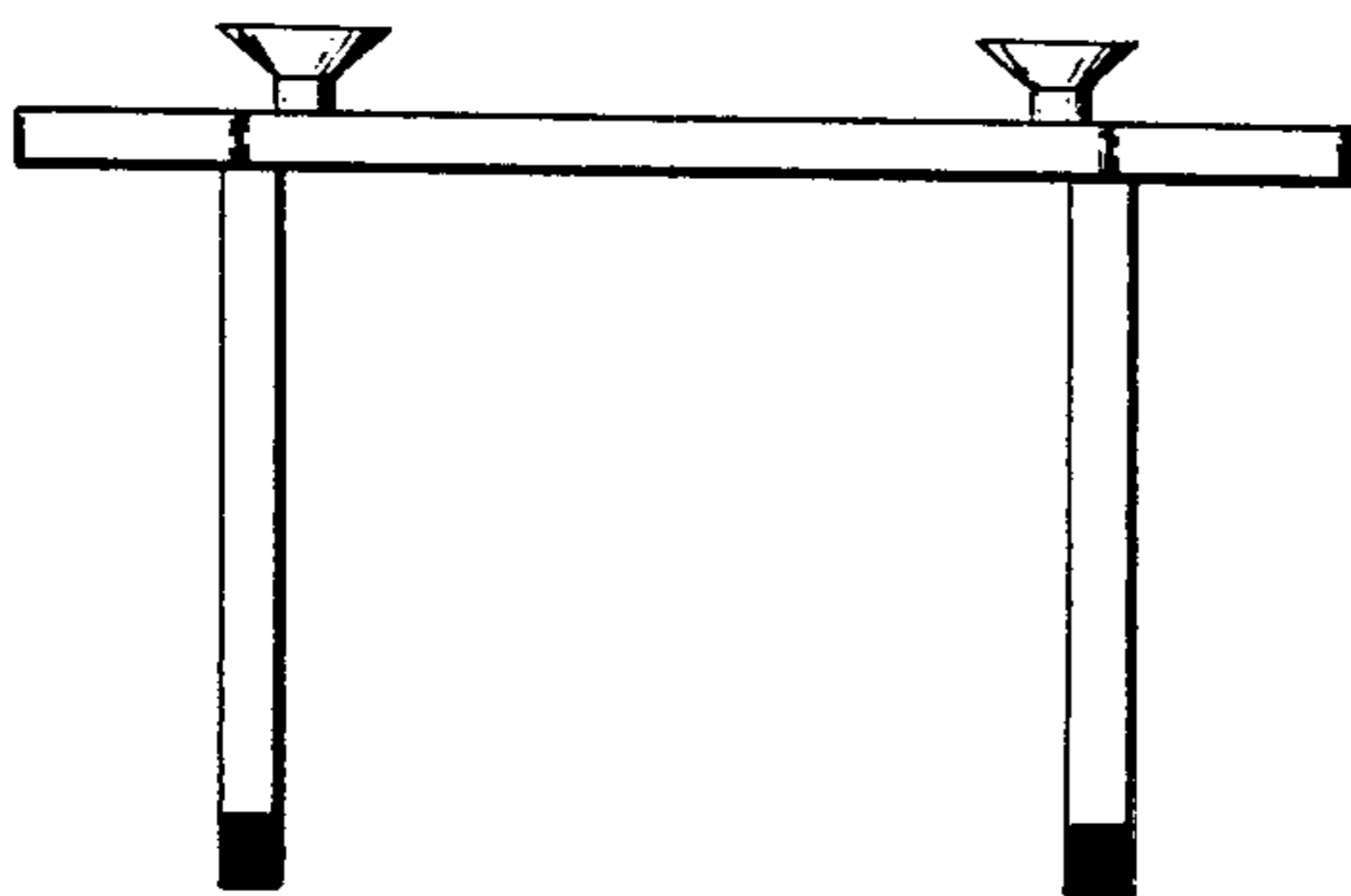


Fig. 6.