

[54] ELECTRONIC INSTRUMENT HOUSING OR SIMILAR ARTICLE

[75] Inventor: Nicholas D. Swinstead, Church Crookham, England

[73] Assignee: Solartron Electronic Group Limited, Farnborough, England

[**] Term: 14 Years

[21] Appl. No.: 913,261

[22] Filed: Jun. 1, 1978

[30] Foreign Application Priority Data

Dec. 13, 1977 [GB] United Kingdom 982602/77

[51] Int. Cl. D10-07

[52] U.S. Cl. D10/80; D13/40

[58] Field of Search D13/12, 32, 40, 41; 220/3.2, 3.3, 3.4, 3.5; 361/331, 332, 334, 335, 338, 346, 356, 357, 358, 379, 380, 381, 383, 384, 390-394, 399; D10/15, 46, 57, 60, 75, 78, 102, 80; D14/73; 324/73 R, 115, 156

[56] References Cited

U.S. PATENT DOCUMENTS

D. 238,965 2/1976 Mansfield D14/73
D. 246,442 11/1977 Aupperle D10/78

OTHER PUBLICATIONS

Electronic Technician/Dealer-6/78, p. 23 "Keithley" Multimeter at right-2nd from top.

Primary Examiner-Nelson C. Holtje
Attorney, Agent, or Firm-Joseph J. Kaliko; Mikio Ishimaru; Dale Gaudier

[57] CLAIM

The ornamental design for an electronic instrument housing or similar article, as shown.

DESCRIPTION

FIG. 1 is a front and top right perspective view of an electronic instrument housing or similar article showing my new design;

FIG. 2 is a rear and bottom left perspective view thereof;

FIG. 3 is a right side elevational view thereof;

FIG. 4 is a front elevational view thereof;

FIG. 5 is a rear elevational view thereof.

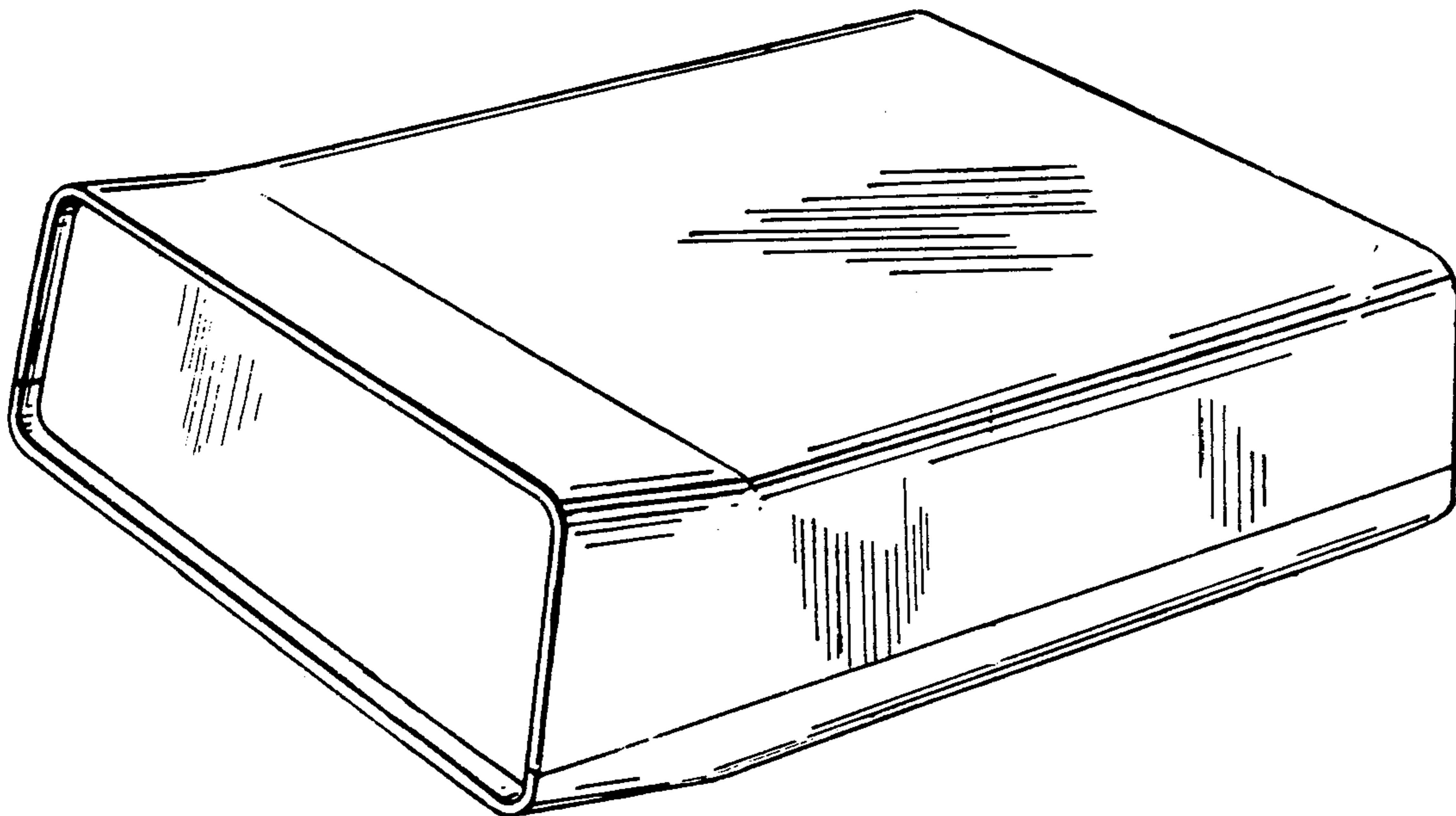


FIG. 1

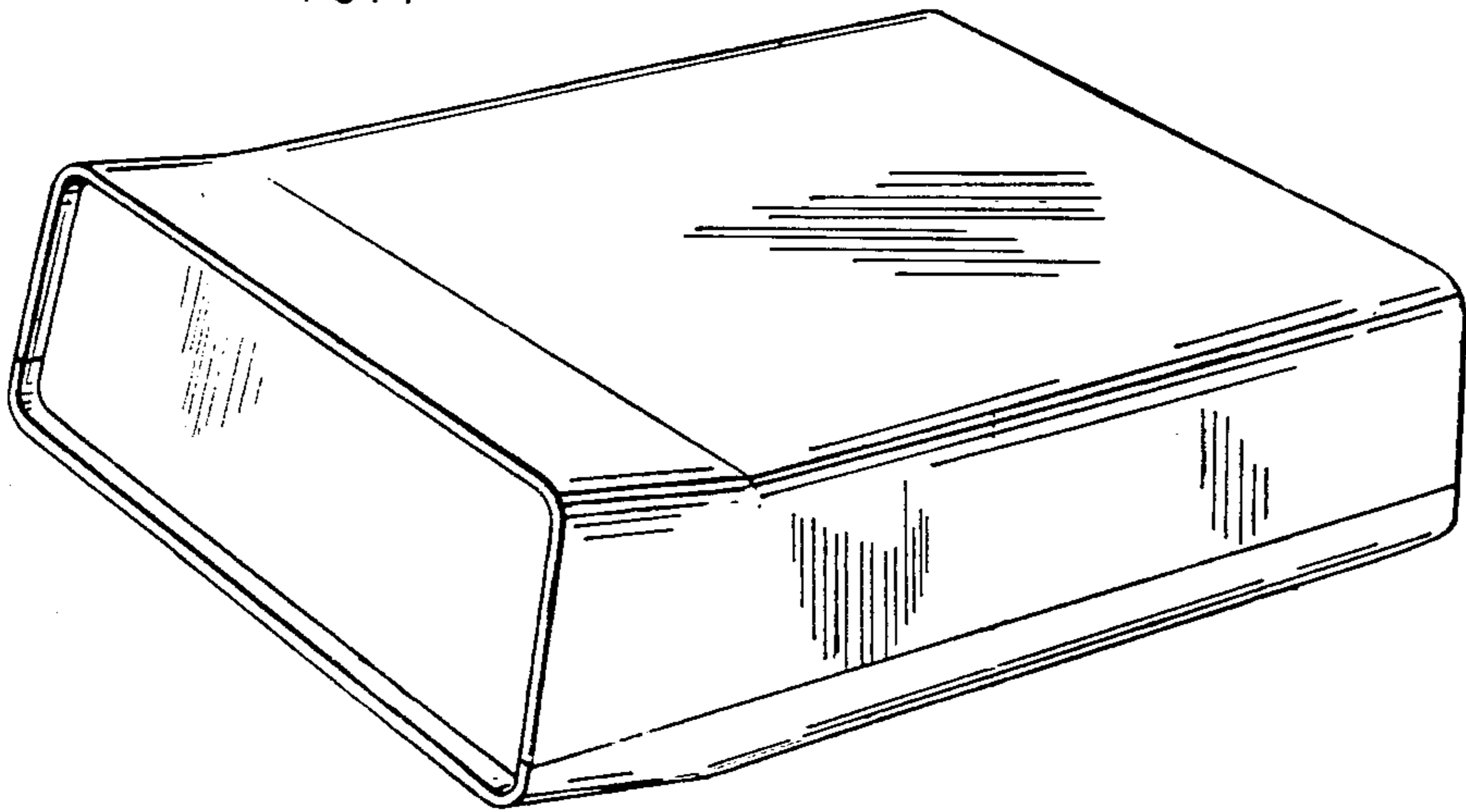


FIG. 2

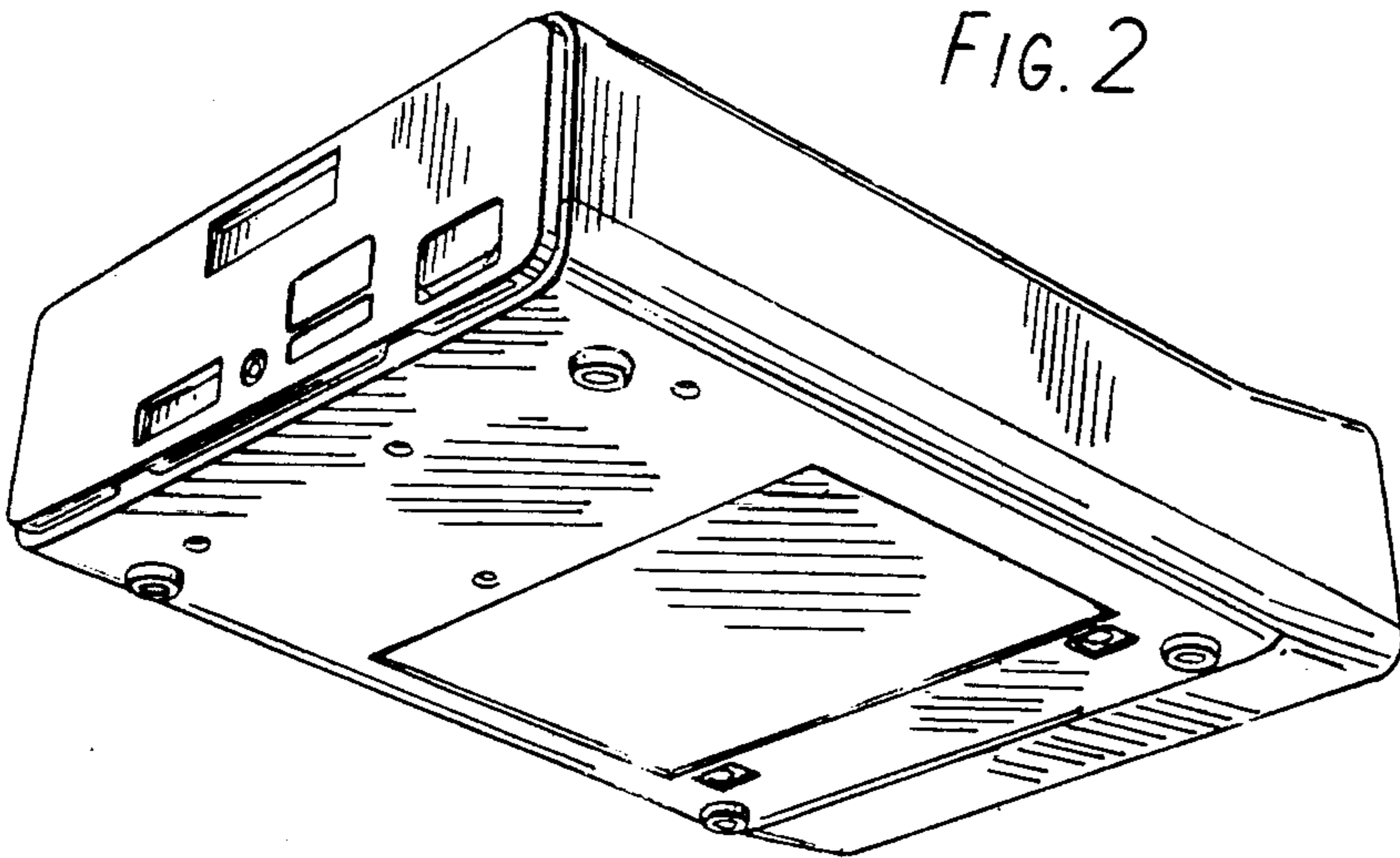


FIG. 3

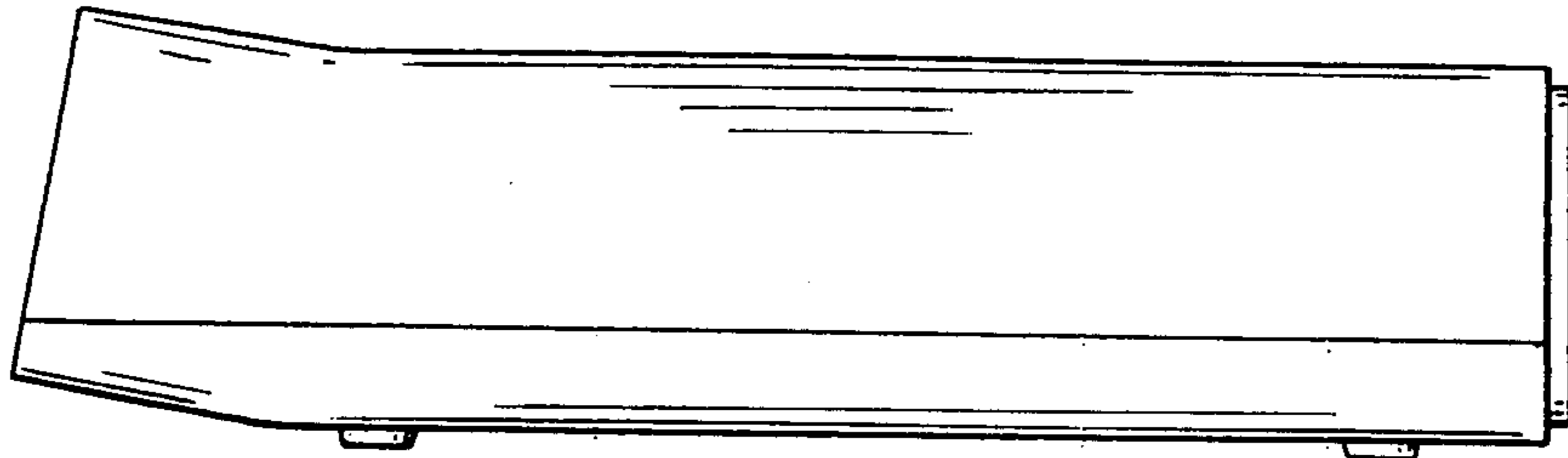


FIG. 4

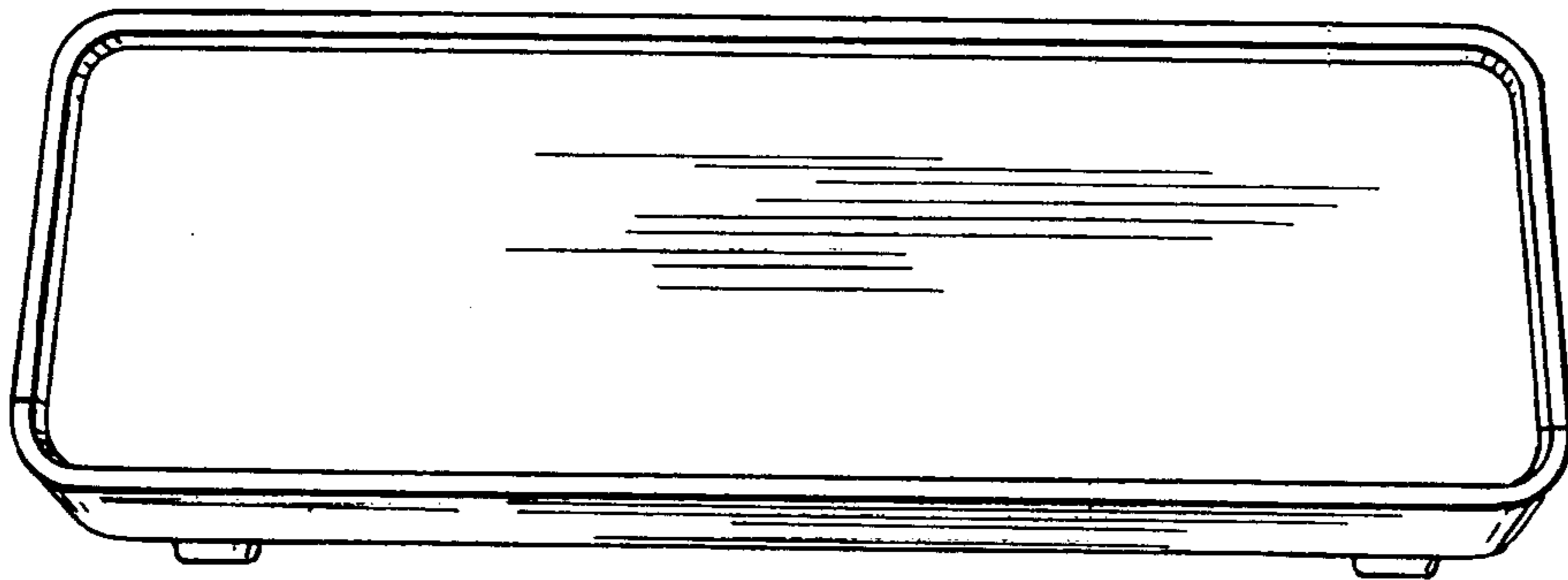


FIG. 5

