

[54] HEIGHT GAUGE

2,611,968 9/1952 Brown ..... 33/169 R  
2,958,950 11/1960 Connors ..... 33/169 R

[75] Inventor: Shingo Nishina, Kanagawa, Japan

[73] Assignee: Mitutoyo Manufacturing Company, Ltd., Tokyo, Japan

[\*\*] Term: 14 Years

[21] Appl. No.: 65,601

[22] Filed: Aug. 10, 1979

[30] Foreign Application Priority Data

Feb. 13, 1979 [JP] Japan ..... 54-4675

[51] Int. Cl. .... D10-04

[52] U.S. Cl. .... D10/73

[58] Field of Search ..... D10/70, 73; 33/169 R

[56] References Cited

U.S. PATENT DOCUMENTS

D. 149,318 4/1948 Sonnhalter ..... D10/73

OTHER PUBLICATIONS

*Mitutoyo Cat., No. 900-3/73*—pp. 64-65, and 115.

*Primary Examiner*—Nelson C. Holtje  
*Attorney, Agent, or Firm*—Koda and Androlia

[57] CLAIM

The ornamental design for a height gauge, substantially as shown and described.

DESCRIPTION

FIG. 1 is a perspective view of a height gauge showing my new design;

FIG. 2 is a front elevational view thereof;

FIG. 3 is a top plan view thereof;

FIG. 4 is a rear elevational view thereof;

FIG. 5 is a right side elevational view thereof;

FIG. 6 is a left side elevational view thereof; and

FIG. 7 is a bottom plan view thereof.

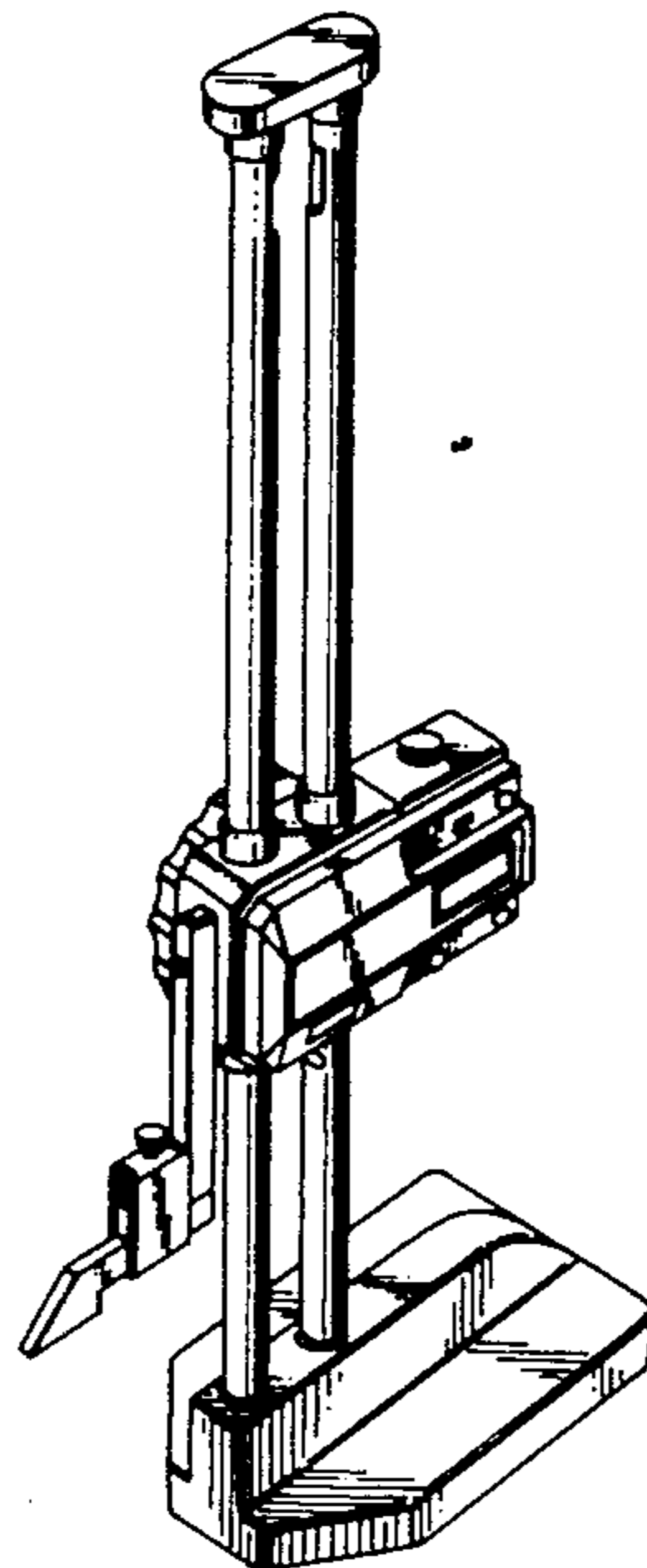


FIG. 1

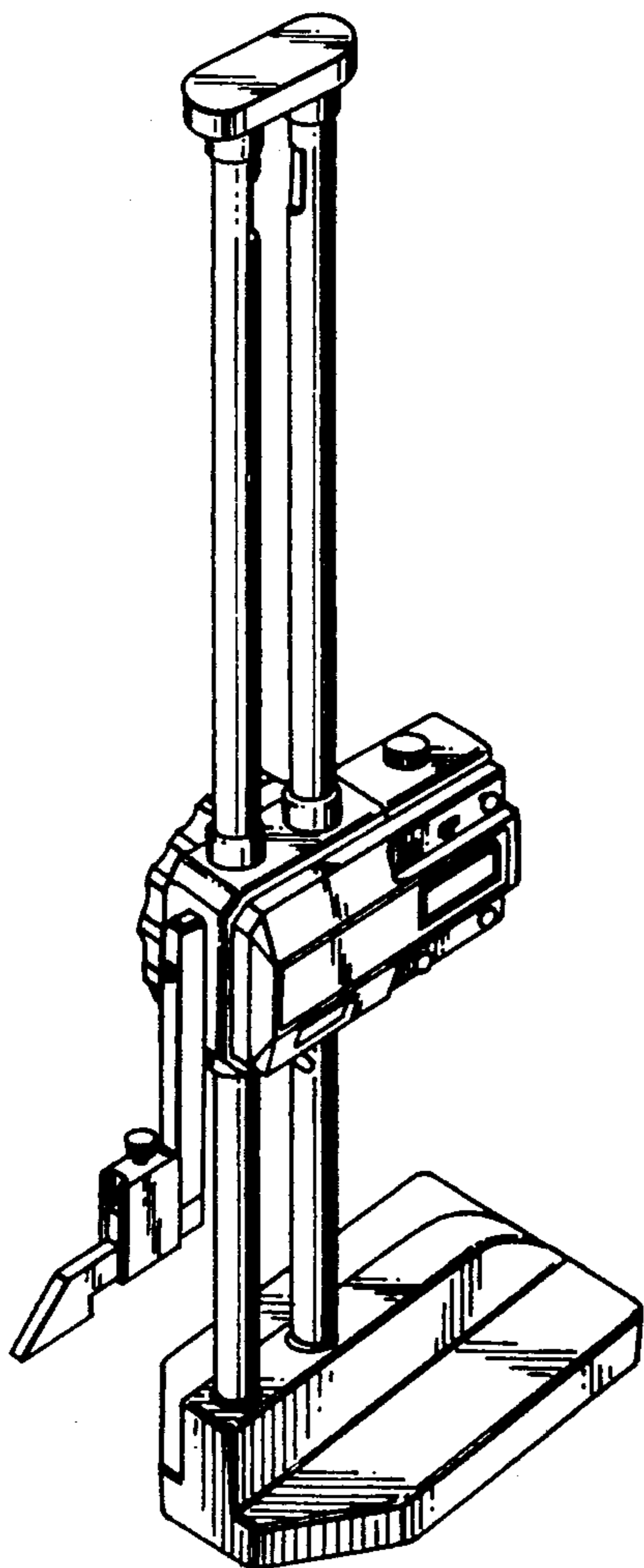


FIG. 2

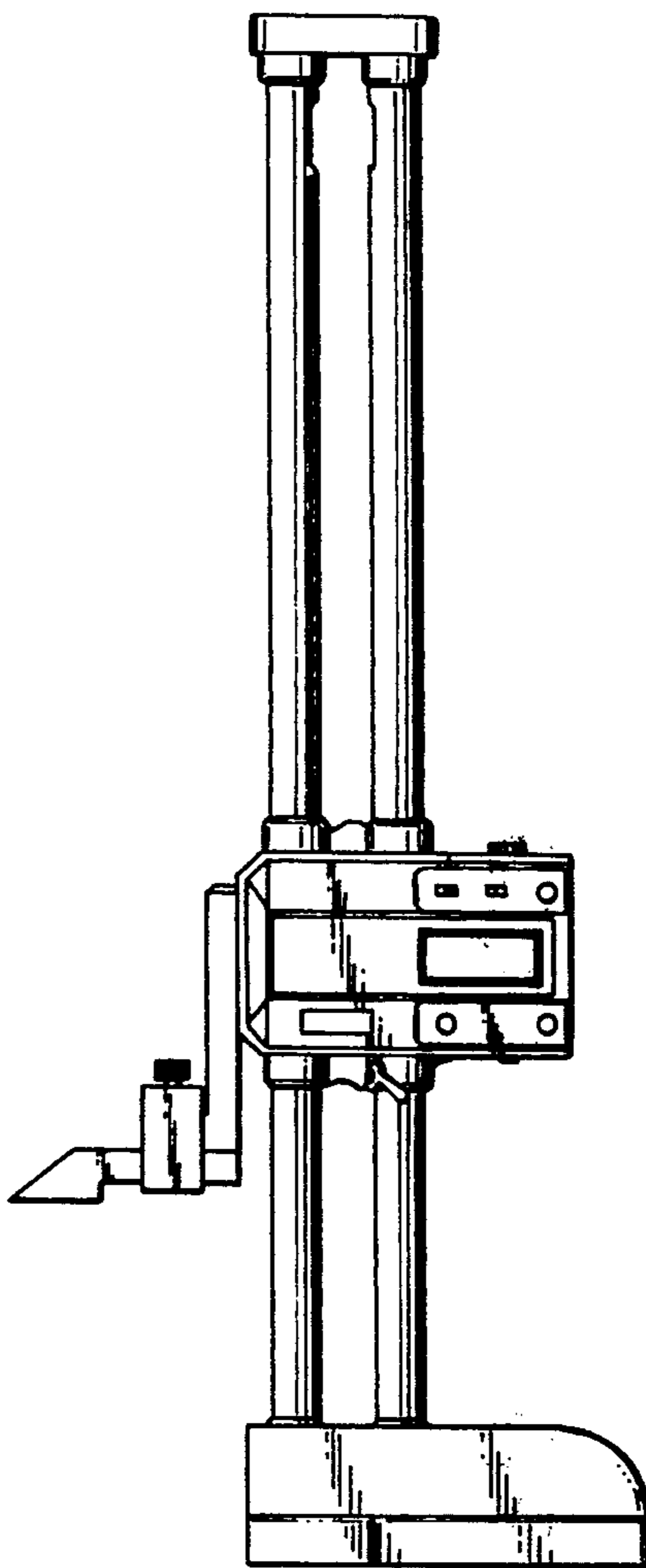


FIG. 3

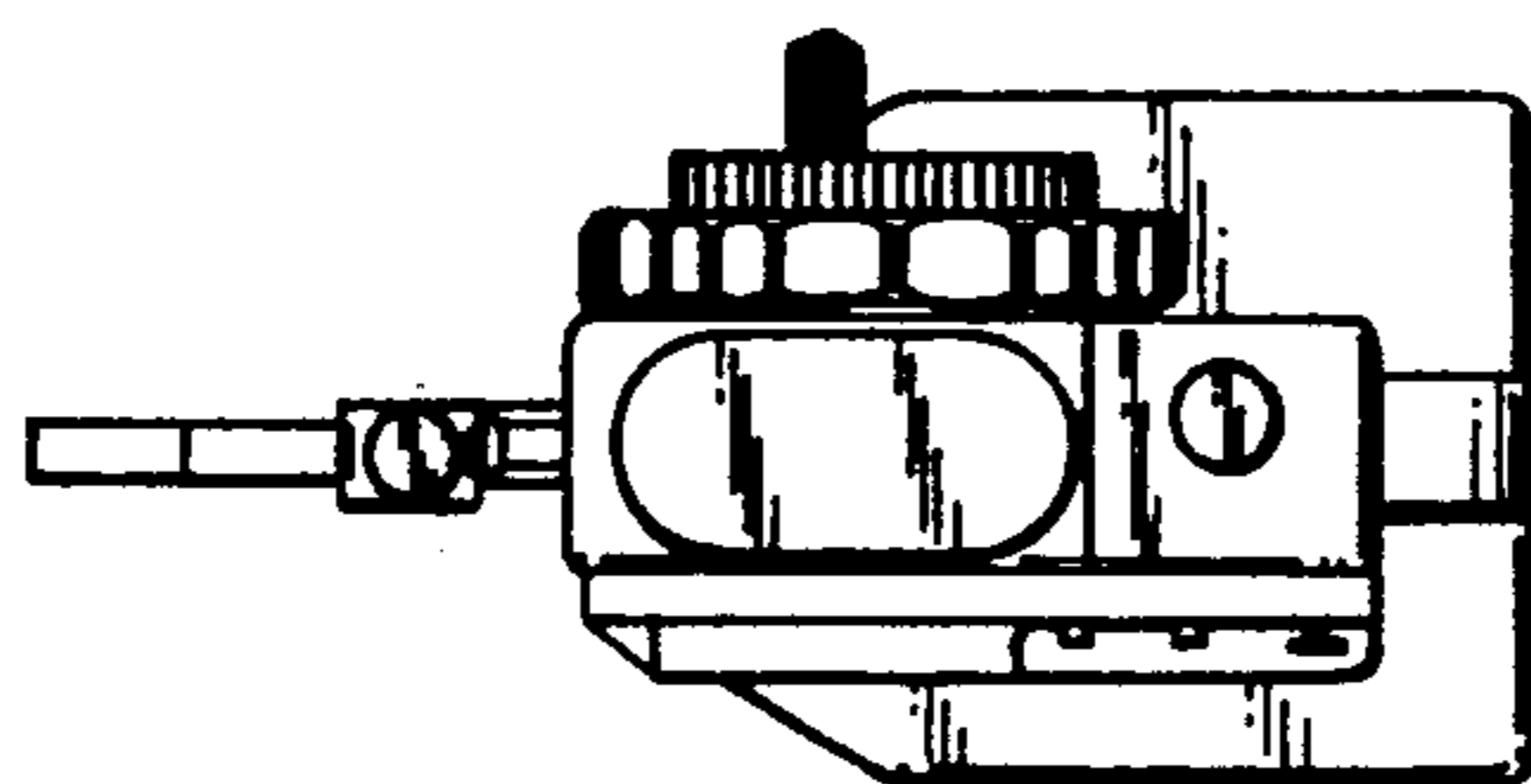


FIG. 4

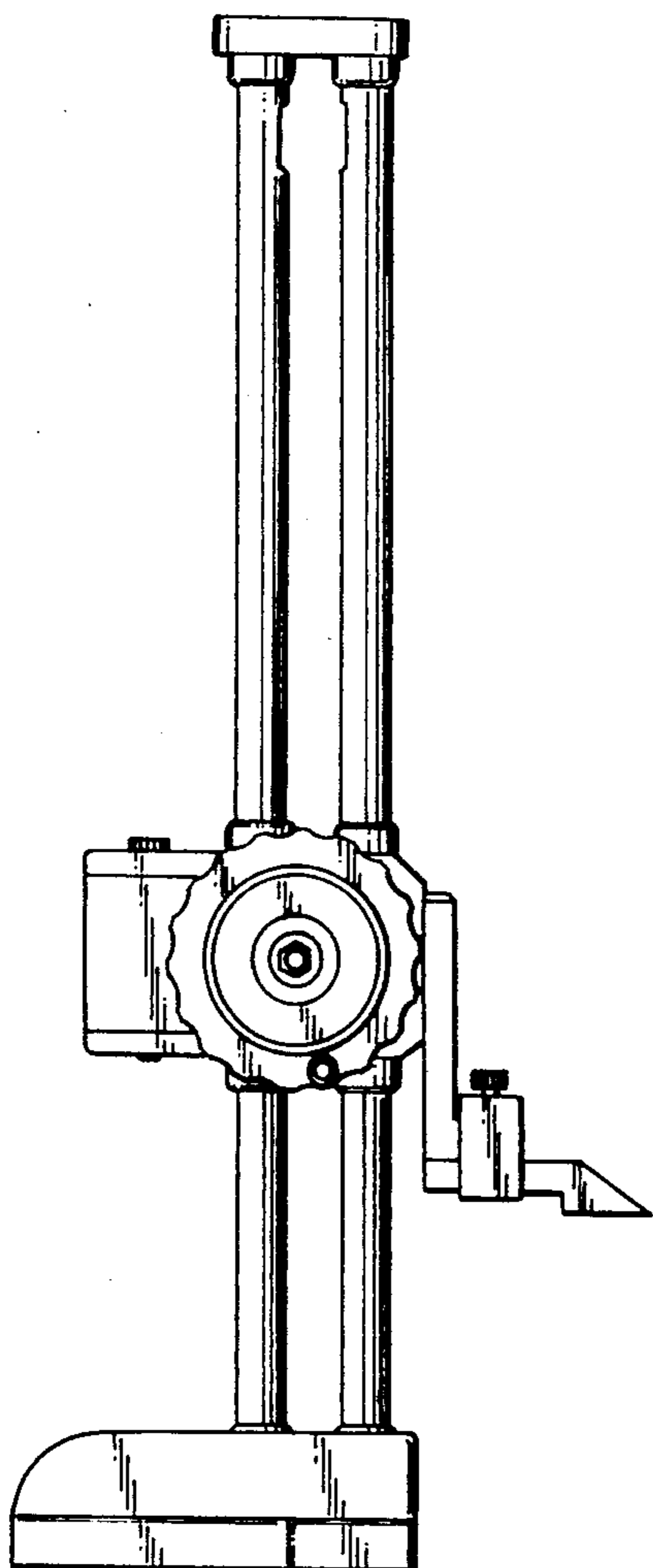


FIG. 5

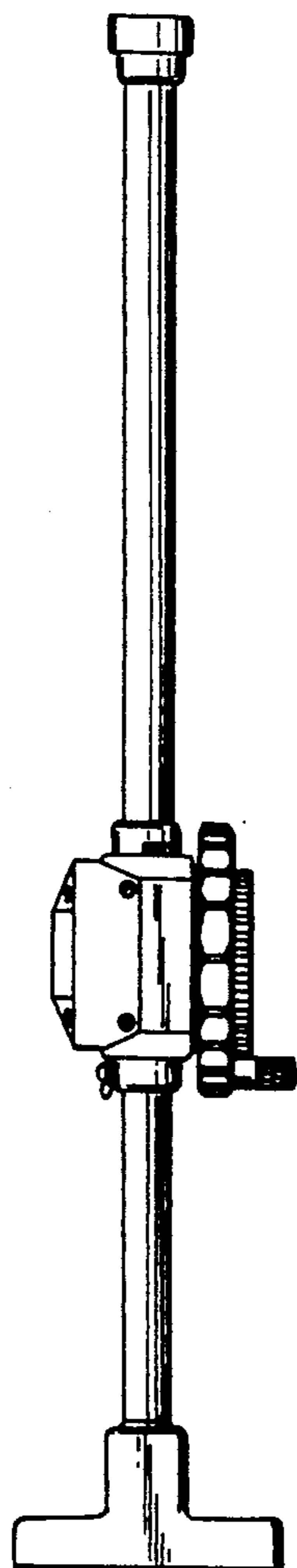


FIG. 6

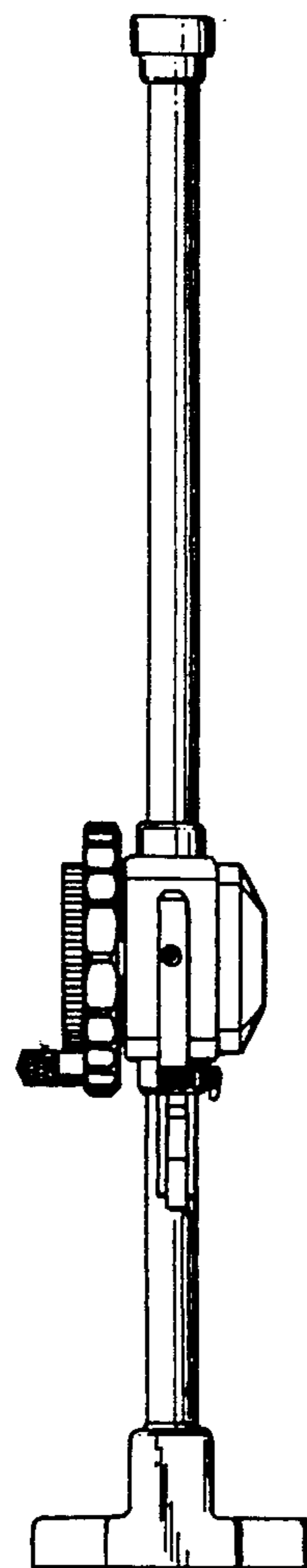


FIG. 7

