

[54] TELESCOPIC MAGNETIC SCREW STARTER

[75] Inventor: Janet D. Shea, Fort Morgan, Colo.

[73] Assignee: Parker-Hannifin Corp., Cleveland, Ohio

[**] Term: 14 Years

[21] Appl. No.: 33,543

[22] Filed: Apr. 26, 1979

[51] Int. Cl. D8-04

[52] U.S. Cl. D8/86; 81/125; 81/346; 145/46

[58] Field of Search D8/86; 81/125; 145/46; 81/346

[56] References Cited

U.S. PATENT DOCUMENTS

- D. 217,896 6/1970 Sexauer D8/29
- D. 233,132 10/1974 Olson et al. D8/86
- D. 235,613 7/1975 Olson et al. D8/86

Primary Examiner—Veronica O'Keefe

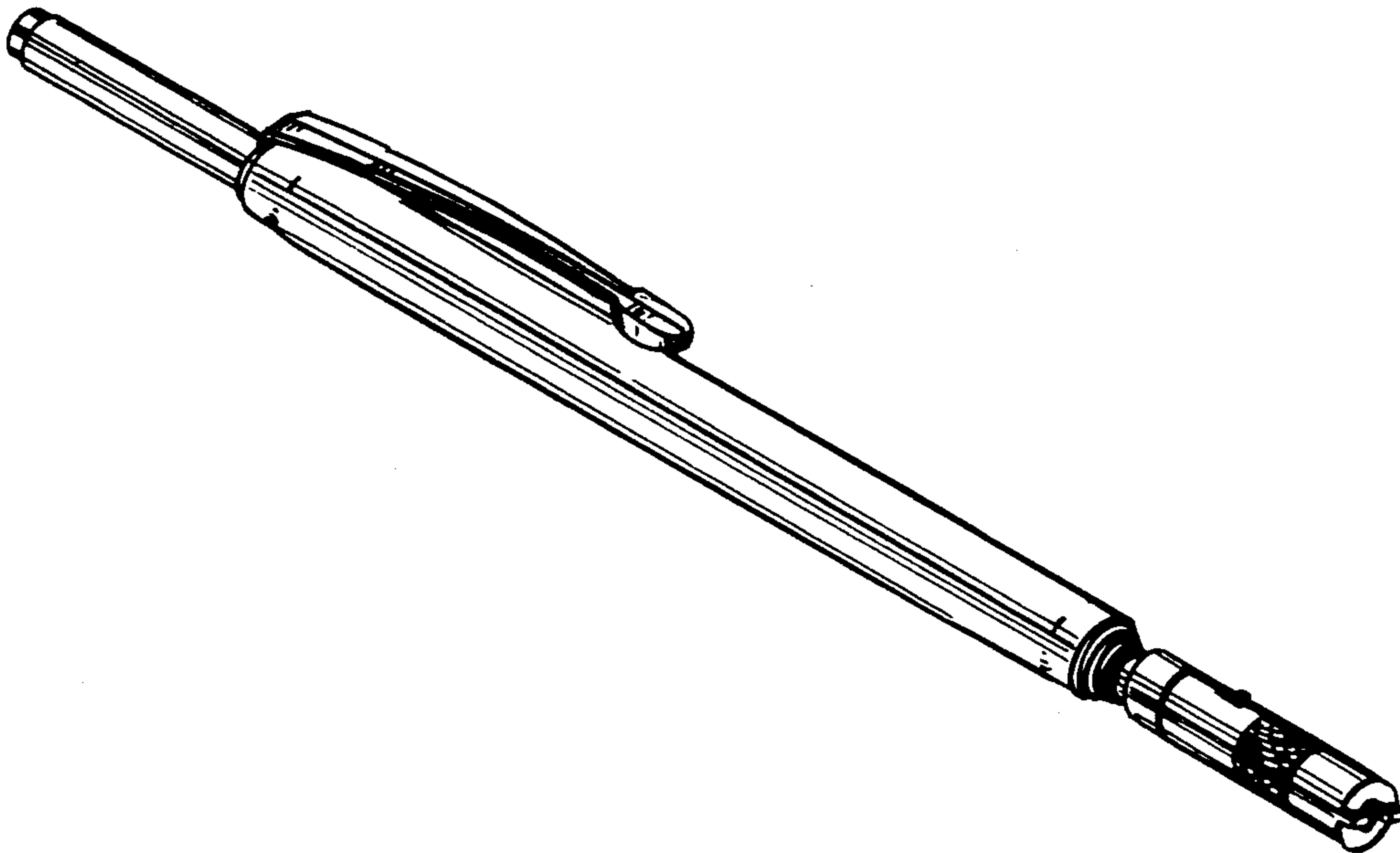
Attorney, Agent, or Firm—Sheridan, Ross, Fields & McIntosh

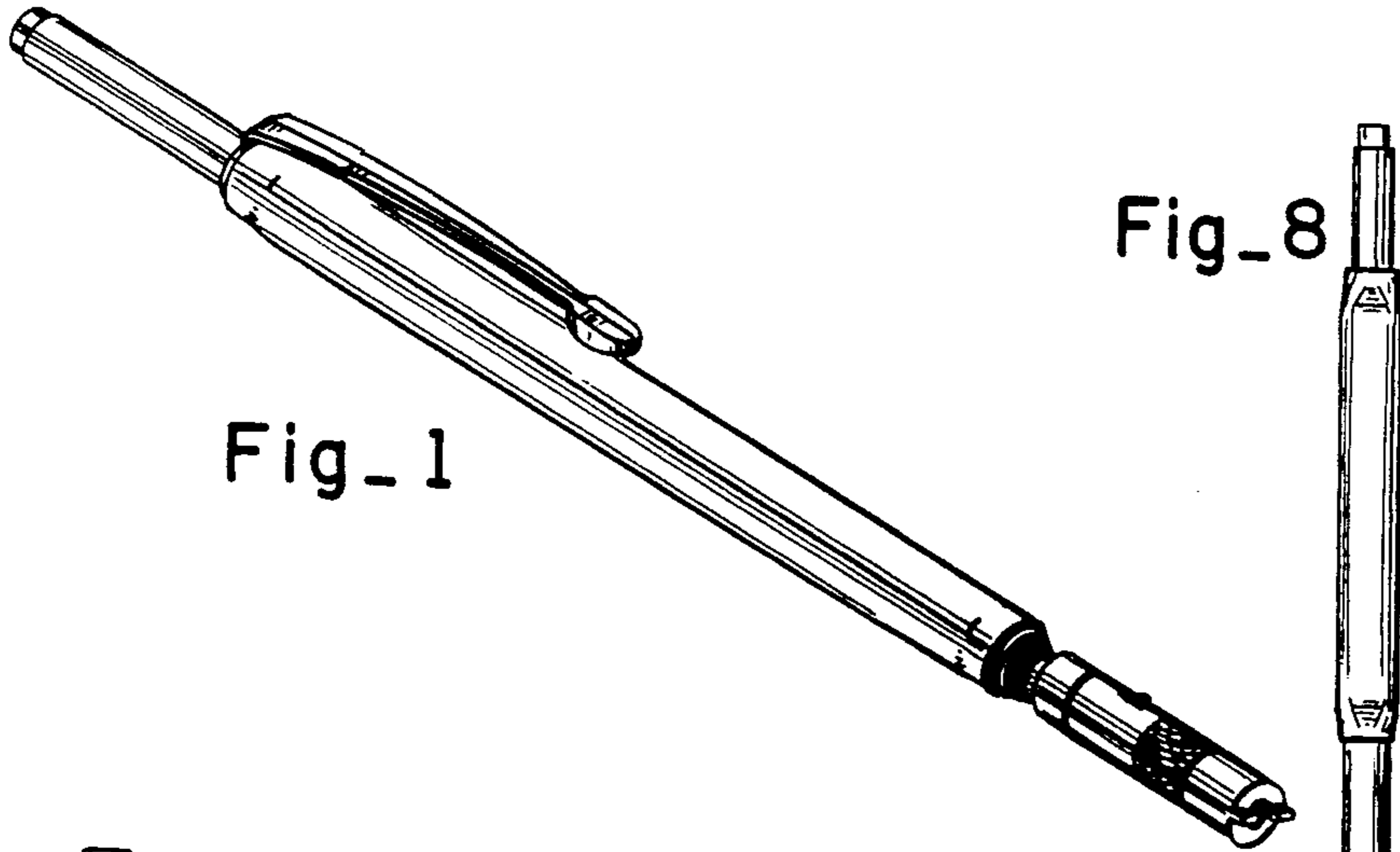
[57] CLAIM

The ornamental design for a telescopic magnetic screw starter, as shown and described.

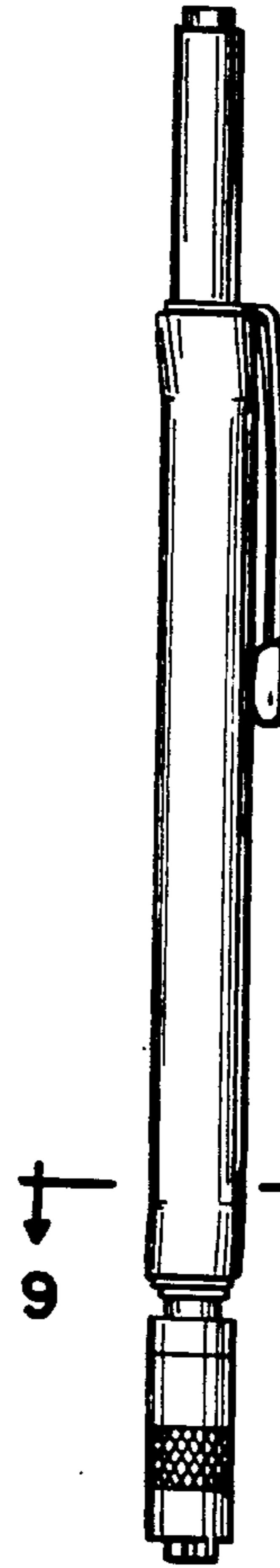
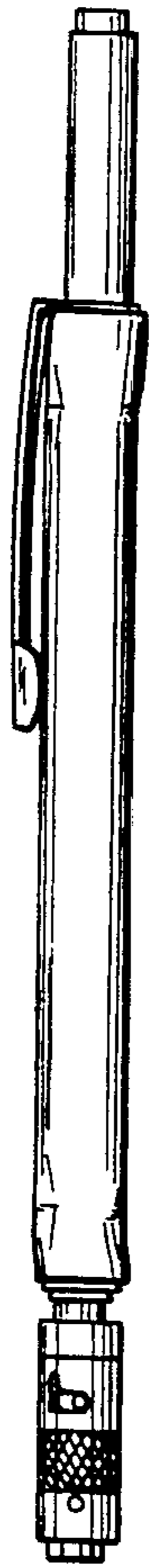
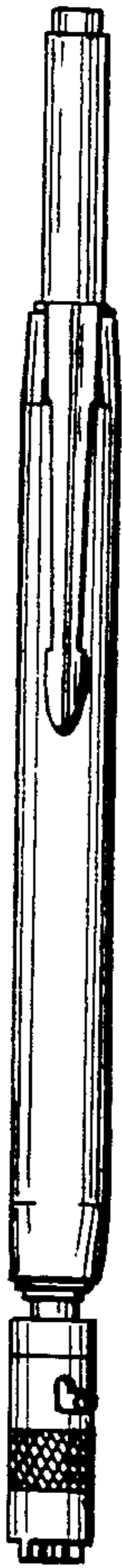
DESCRIPTION

FIG. 1 is a perspective view of the telescopic magnetic screw starter according to the present invention; FIG. 2 is a top plan view; FIG. 3 is a side elevation view; FIG. 4 is a bottom view; FIG. 5 is a side elevation view showing the opposite side from that shown in FIG. 3; FIG. 6 is an enlarged end view showing the screw holding device; FIG. 7 is an enlarged end view from the opposite end shown in FIG. 6 showing the magnet end of the invention; FIG. 8 is a elevational view of the telescopic magnetic screw starter shown in the extended condition; and FIG. 9 is an enlarged cross-sectional view taken along the lines 9—9 of FIG. 5 showing the triangular shape of the body segments.



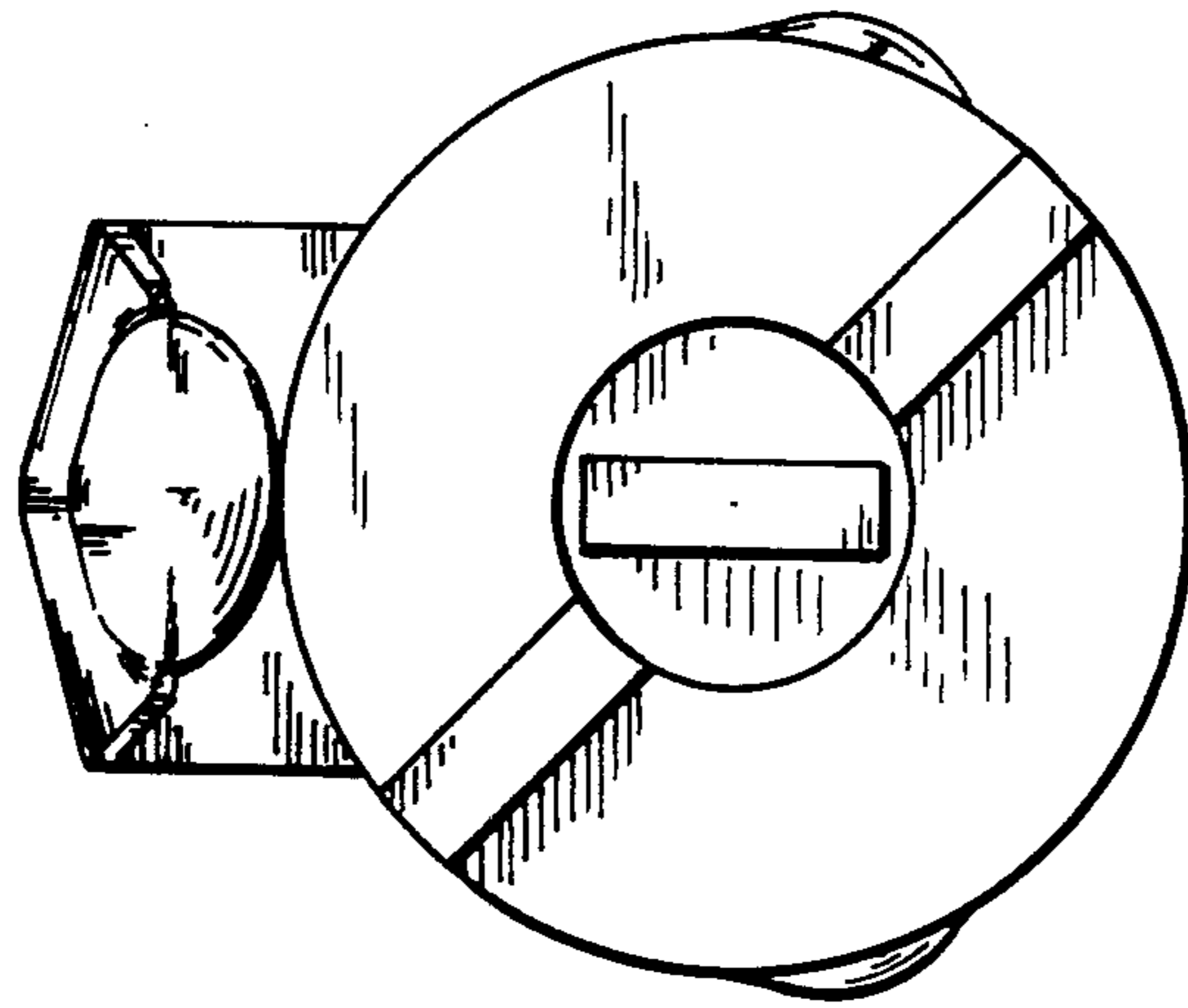


Fig_8

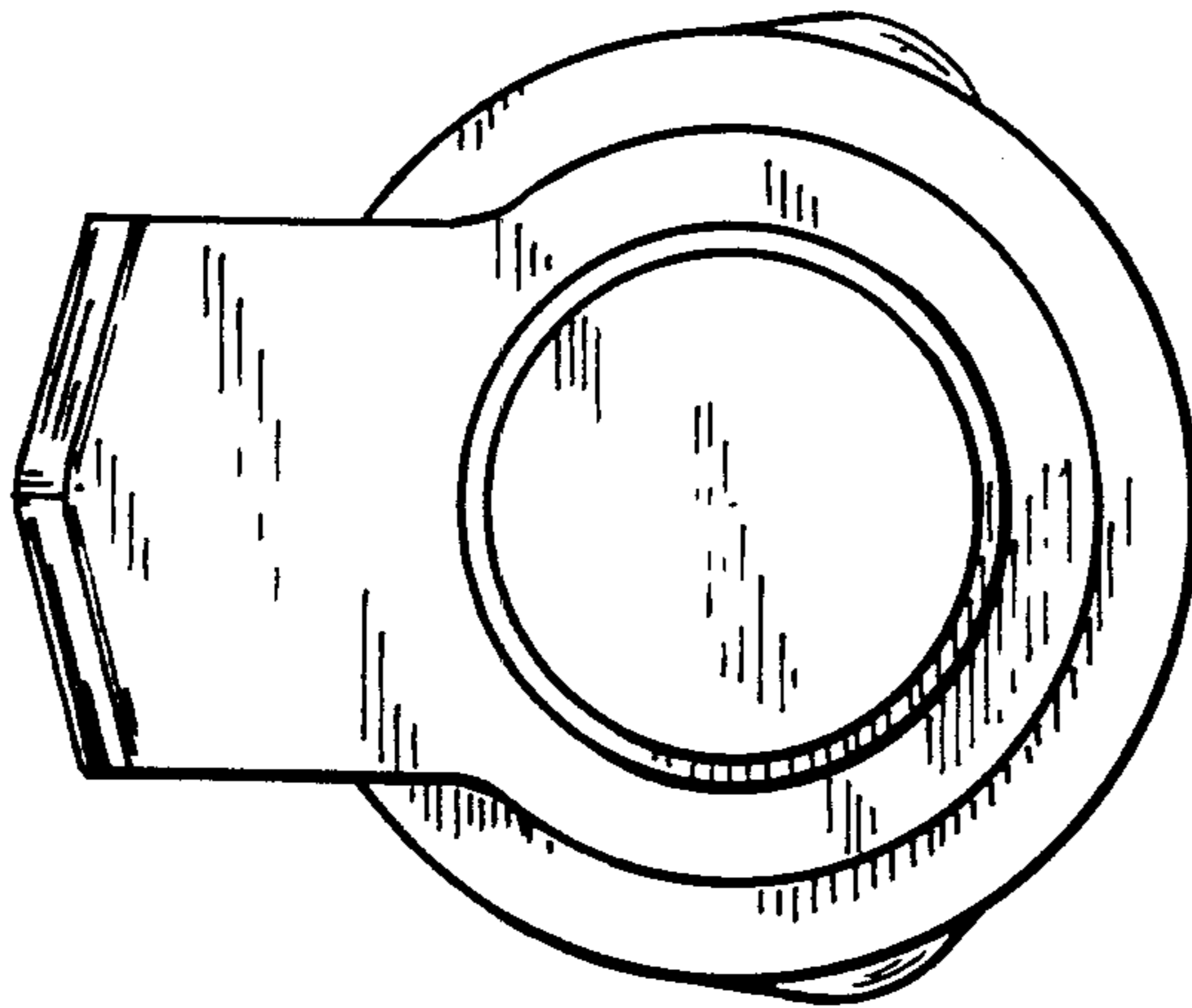


9

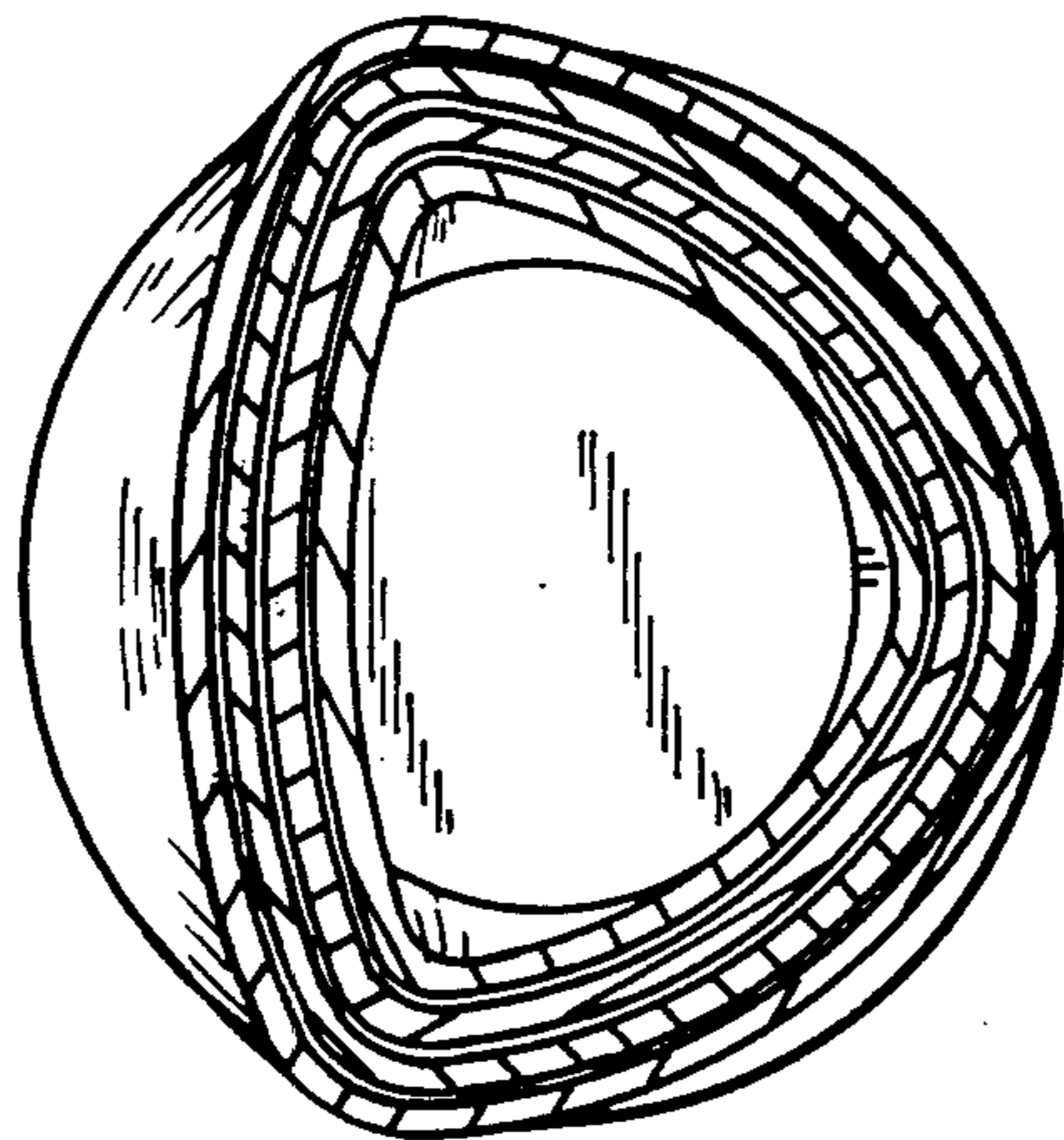
9



Fig_6



Fig_7



Fig_9