

[54] SOLAR OVEN

[76] Inventor: Daniel S. Halacy, Jr., 5804 W. Vista Ave., Glendale, Ariz. 85301

[\*\*] Term: 14 Years

[21] Appl. No.: 11,137

[22] Filed: Feb. 12, 1979

[51] Int. Cl. .... D7-02

[52] U.S. Cl. .... D7/110

[58] Field of Search ..... D7/107, 108, 109, 110; D23/72, 127; 126/415-451, 25 R, 25 A, 25 AA, 25 B, 25 C, 9 R, 9 A, 9 B, 29, 30

[56] References Cited

U.S. PATENT DOCUMENTS

3,025,851	3/1962	Steinberg .....	126/451
3,106,201	10/1963	Steinberg .....	126/451
3,236,227	2/1966	Steinberg .....	126/427 X
4,130,106	12/1978	Clevett et al. ....	126/438 X

Primary Examiner—Catherine E. Kemper

Attorney, Agent, or Firm—Cahill, Sutton & Thomas

[57] CLAIM

The ornamental design for a solar oven, as shown and described.

DESCRIPTION

FIG. 1 is a front perspective view of a solar oven, showing my new design and shown with the reflector folded; FIG. 2 is a rear perspective view thereof;

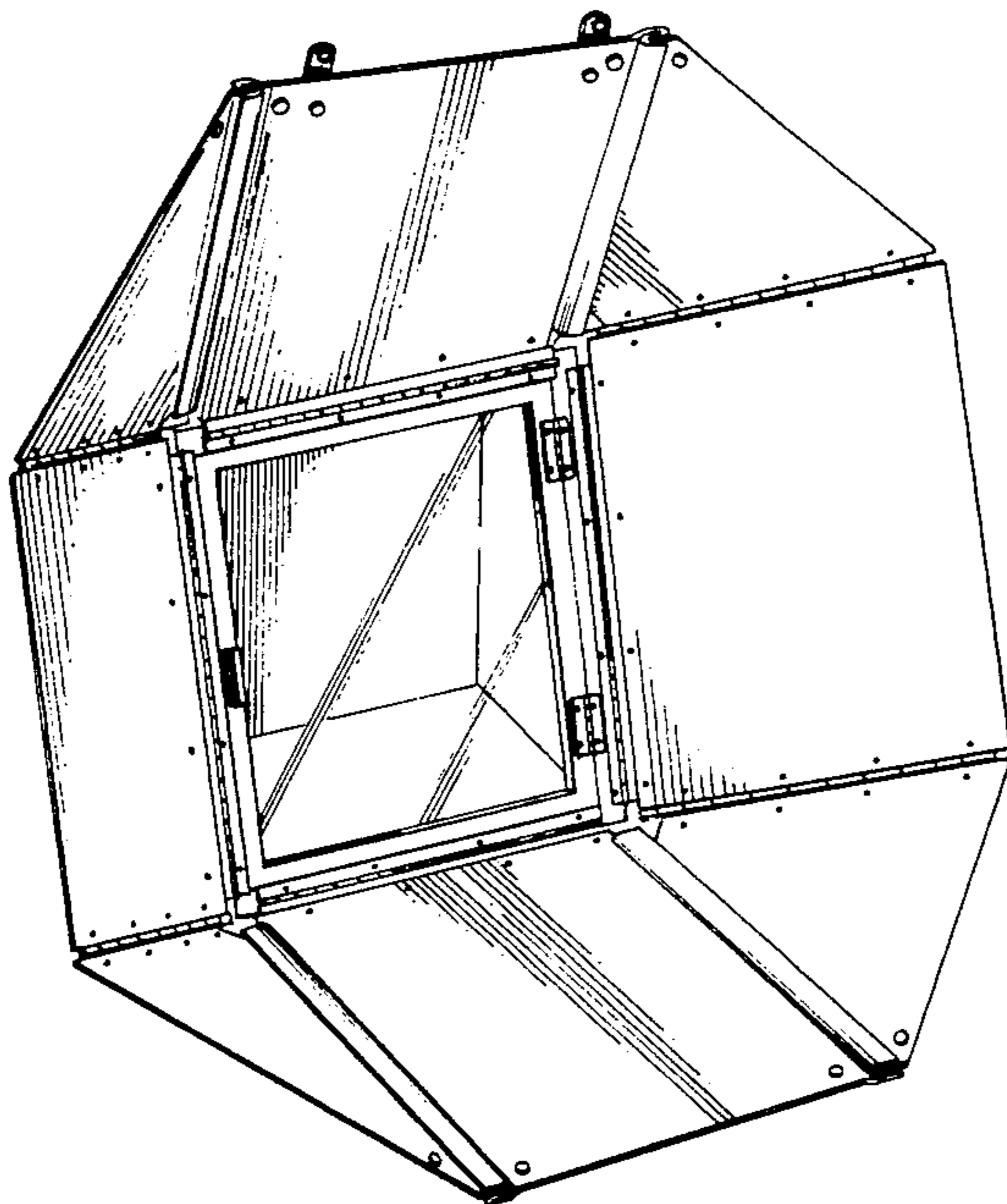
FIG. 3 is a right side elevational view thereof; the left side elevational view is a mirror image thereof;

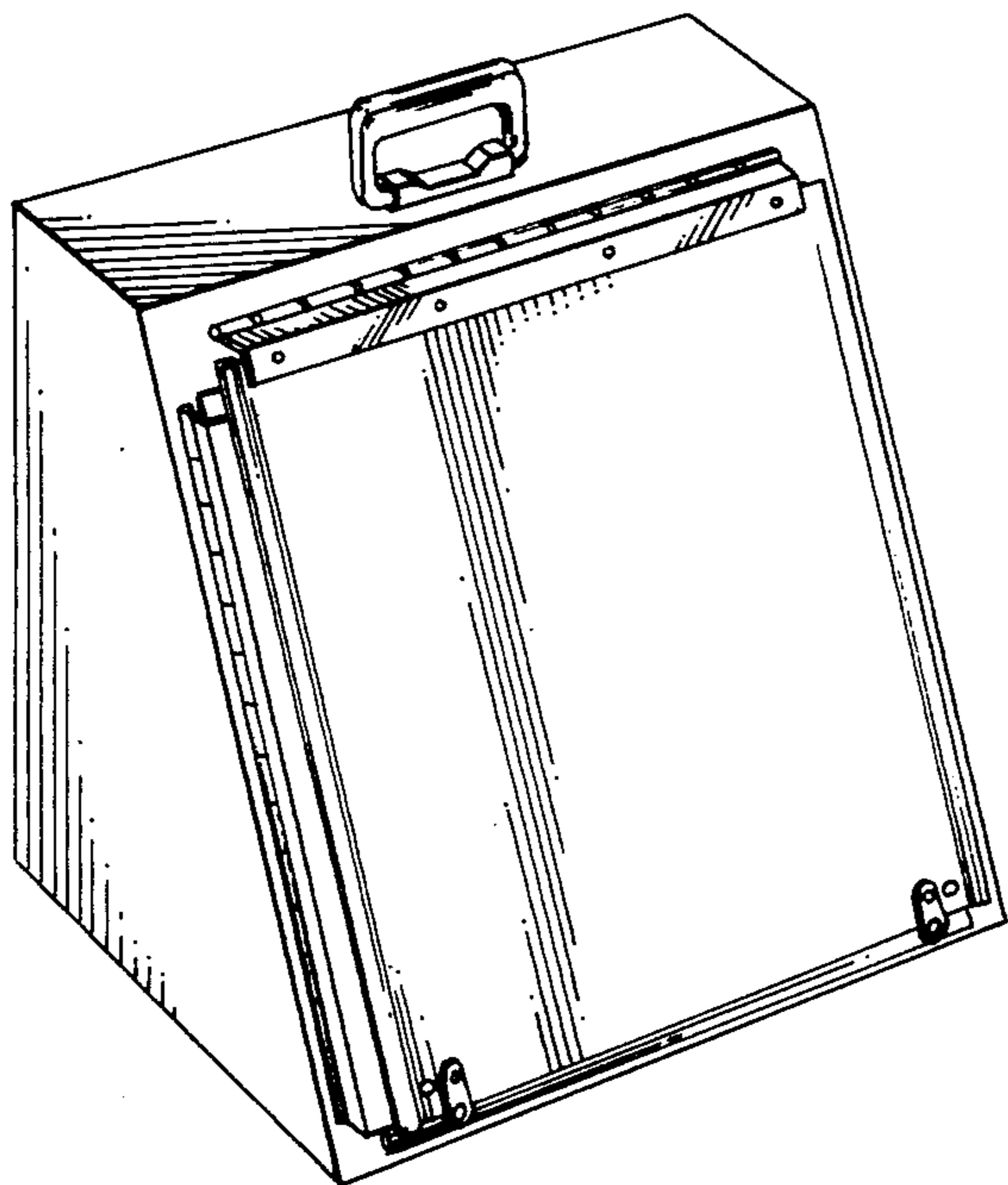
FIG. 4 is a front perspective view thereof showing the solar oven in the first position with the reflector unfolded;

FIG. 5 is a partial front perspective view showing the oven compartment with the door thereto open;

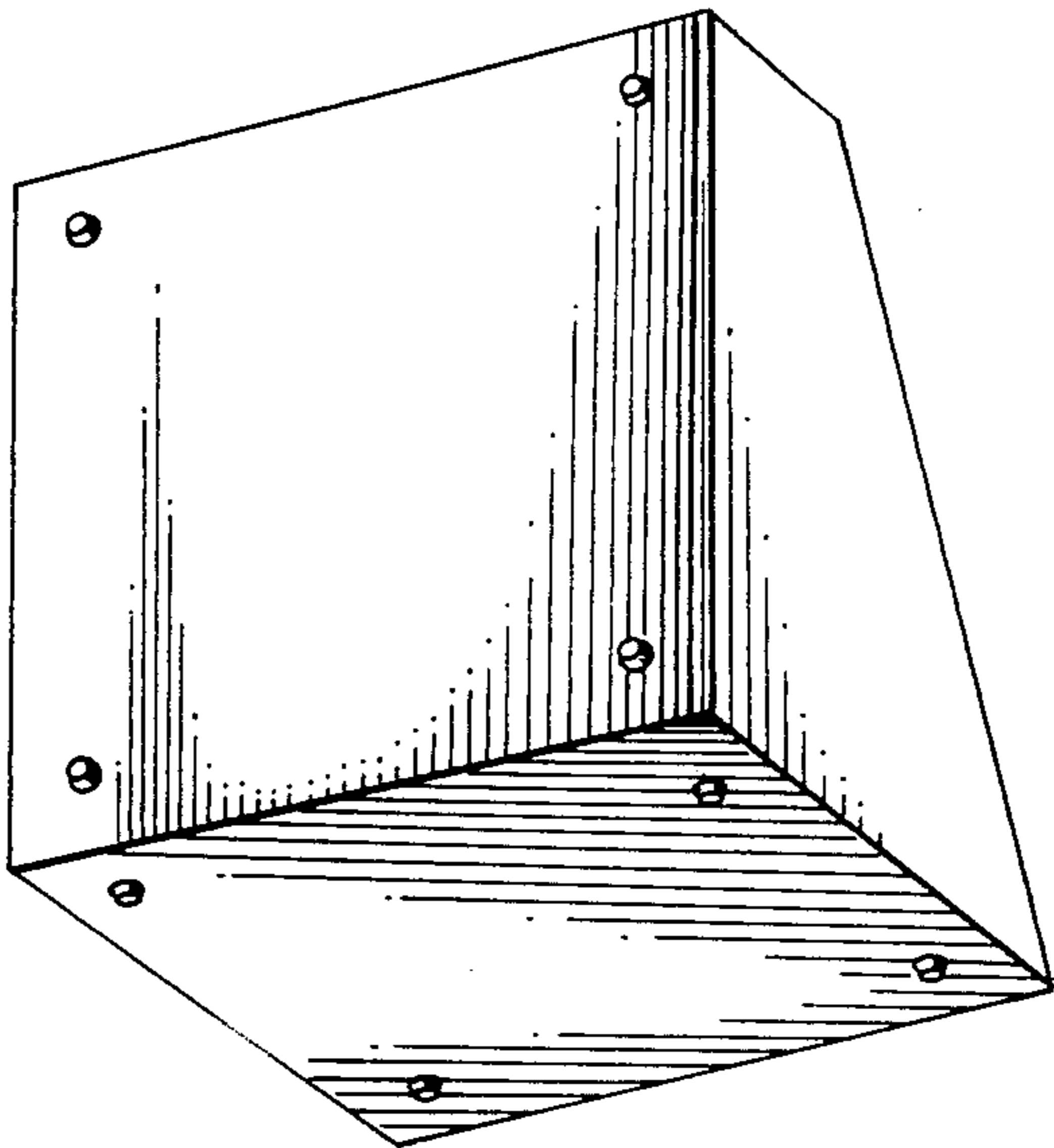
FIG. 6 is a left side elevational view of my design showing my solar oven in a second position with the reflector unfolded; the right side elevational view is a mirror image thereof;

FIG. 7 is a rear view thereof along an axis perpendicular to the plane defined by the perimeter of the reflector.

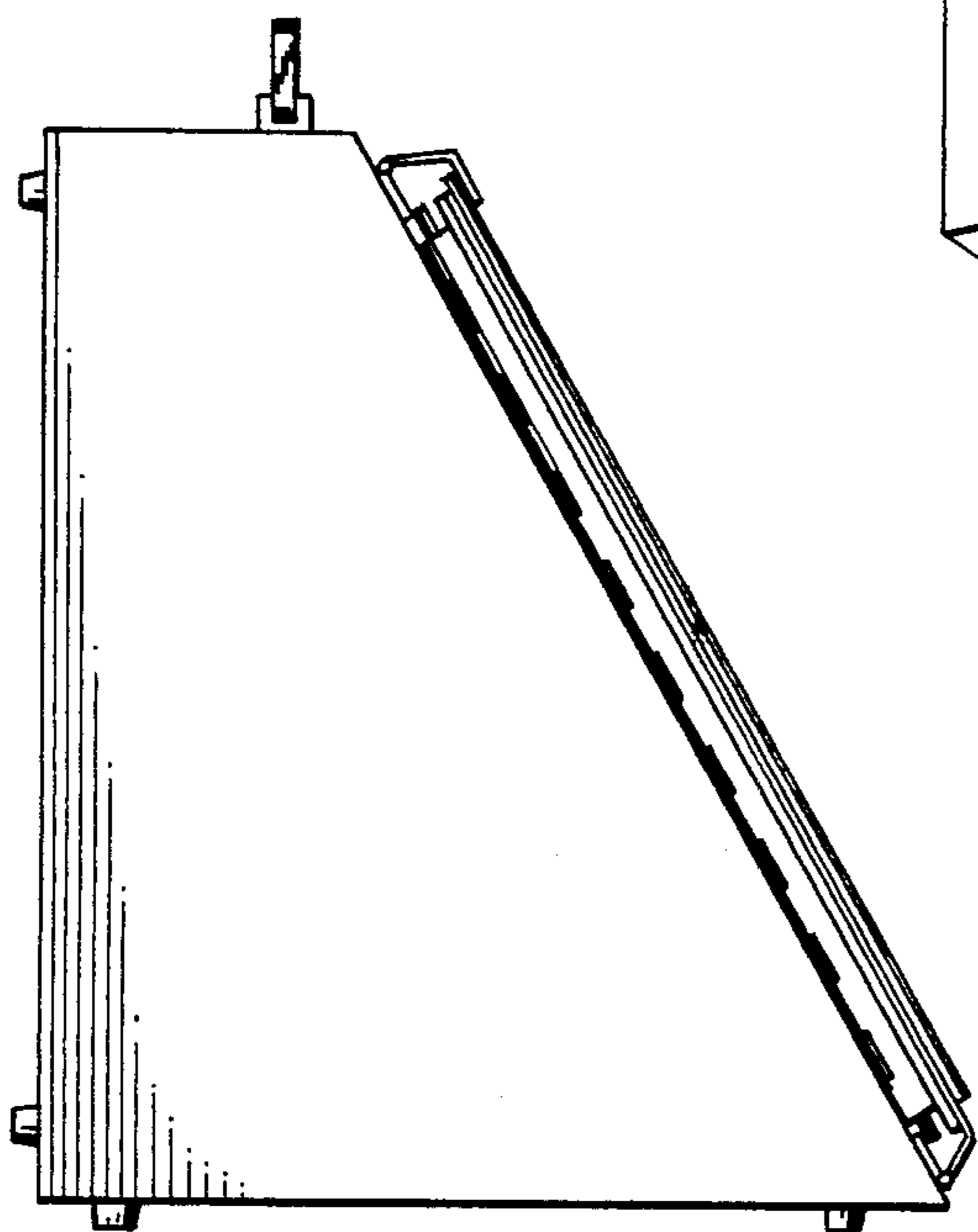




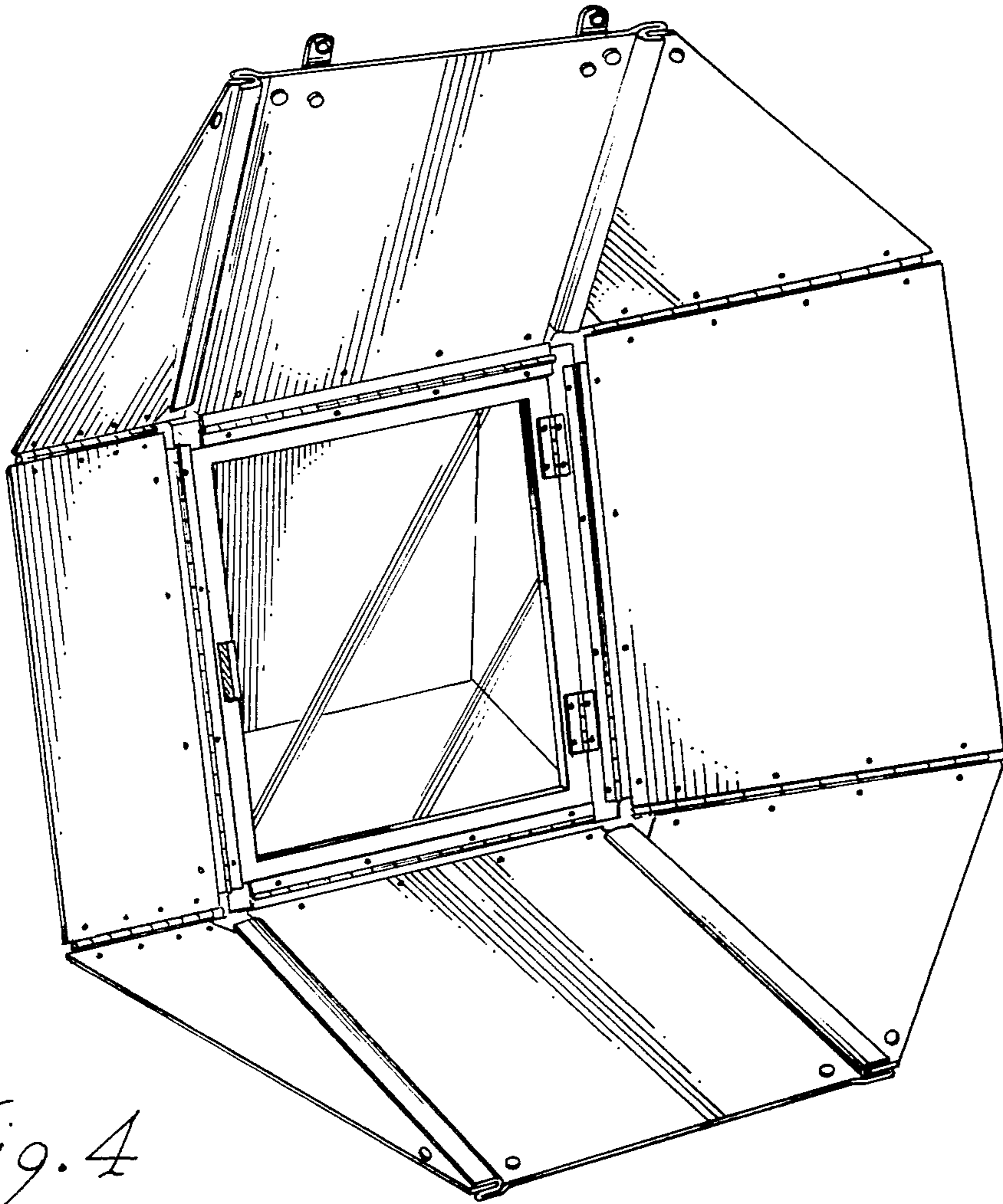
*fig. 1*



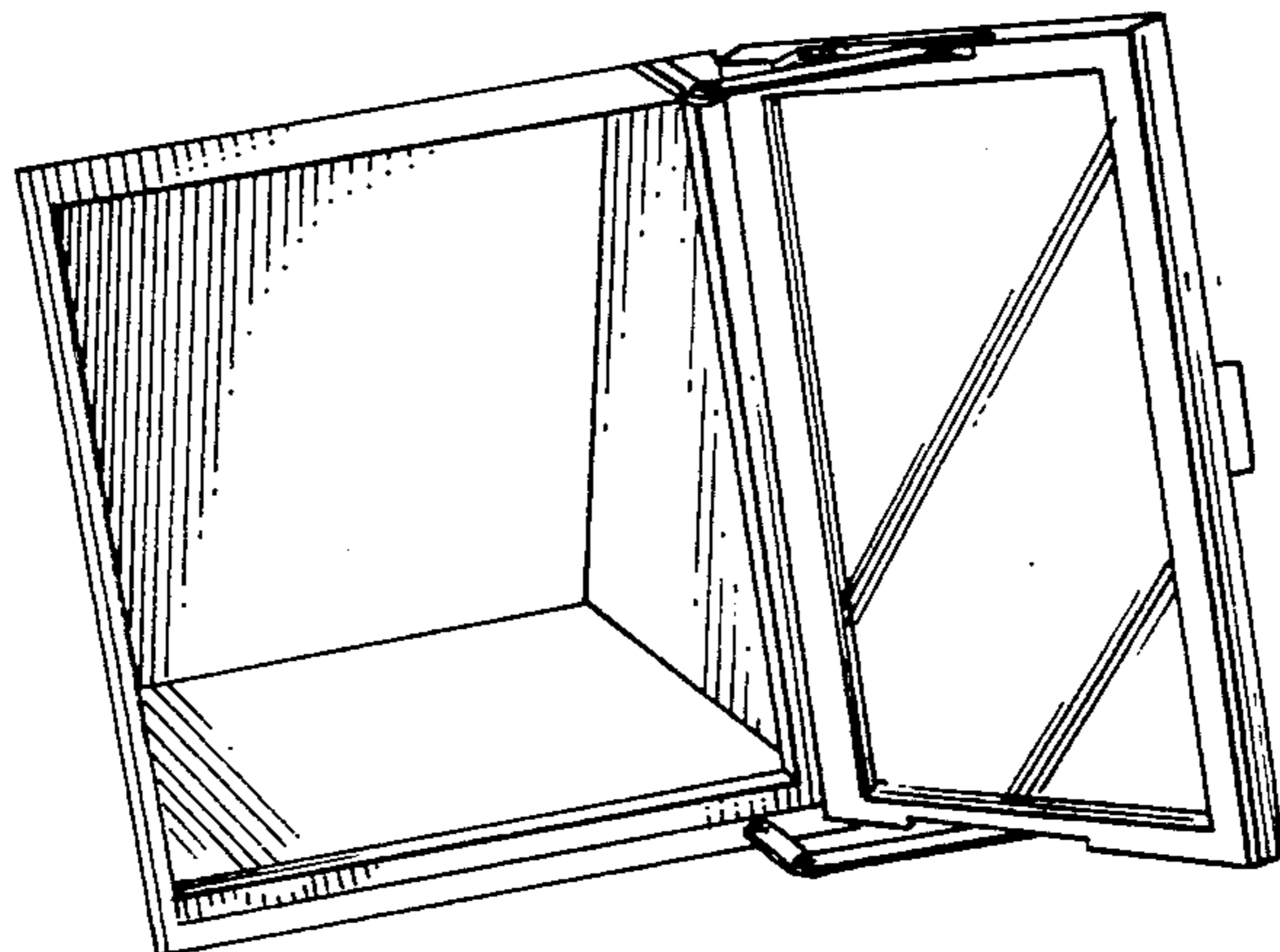
*fig. 2*



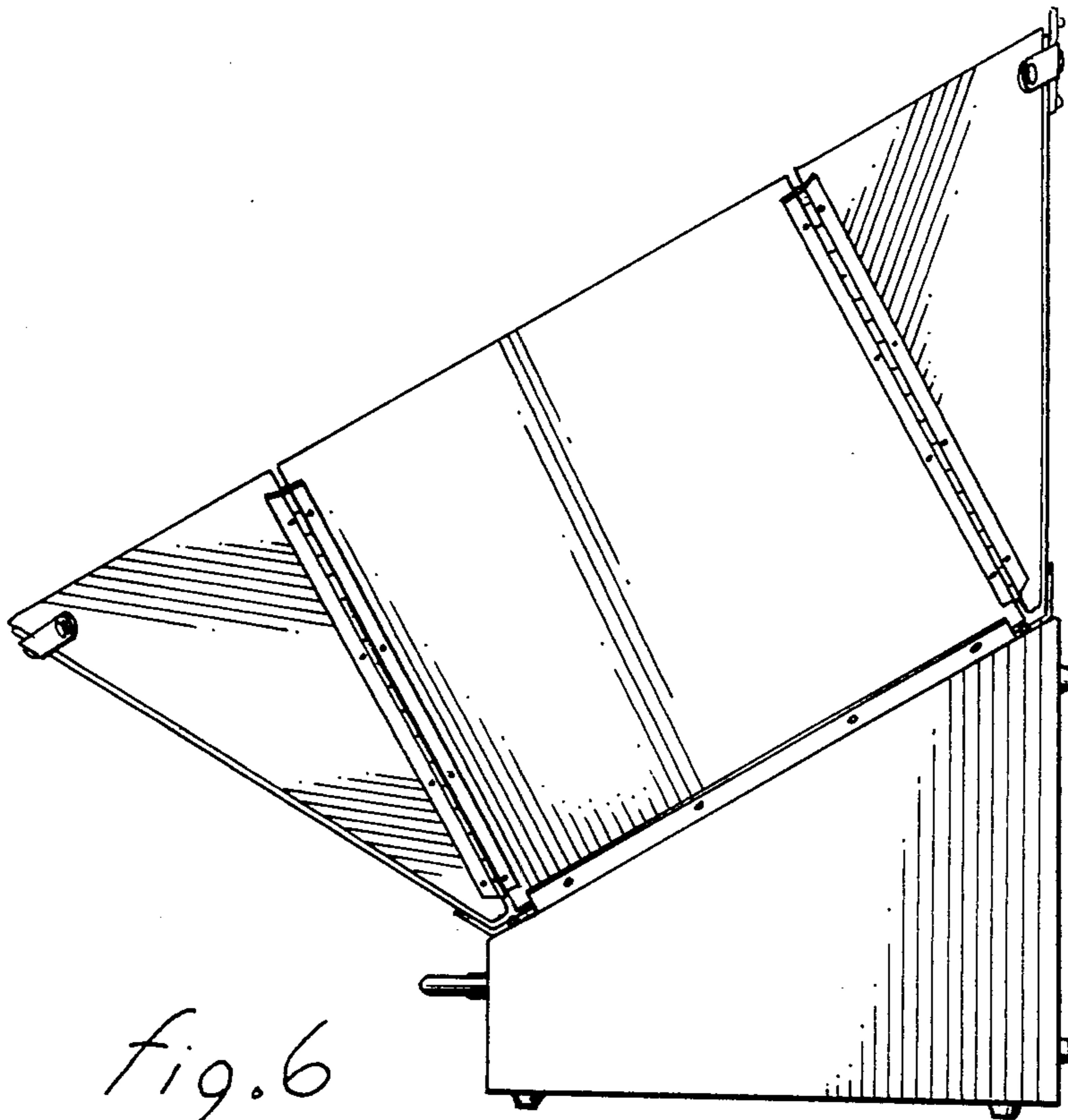
*fig. 3*



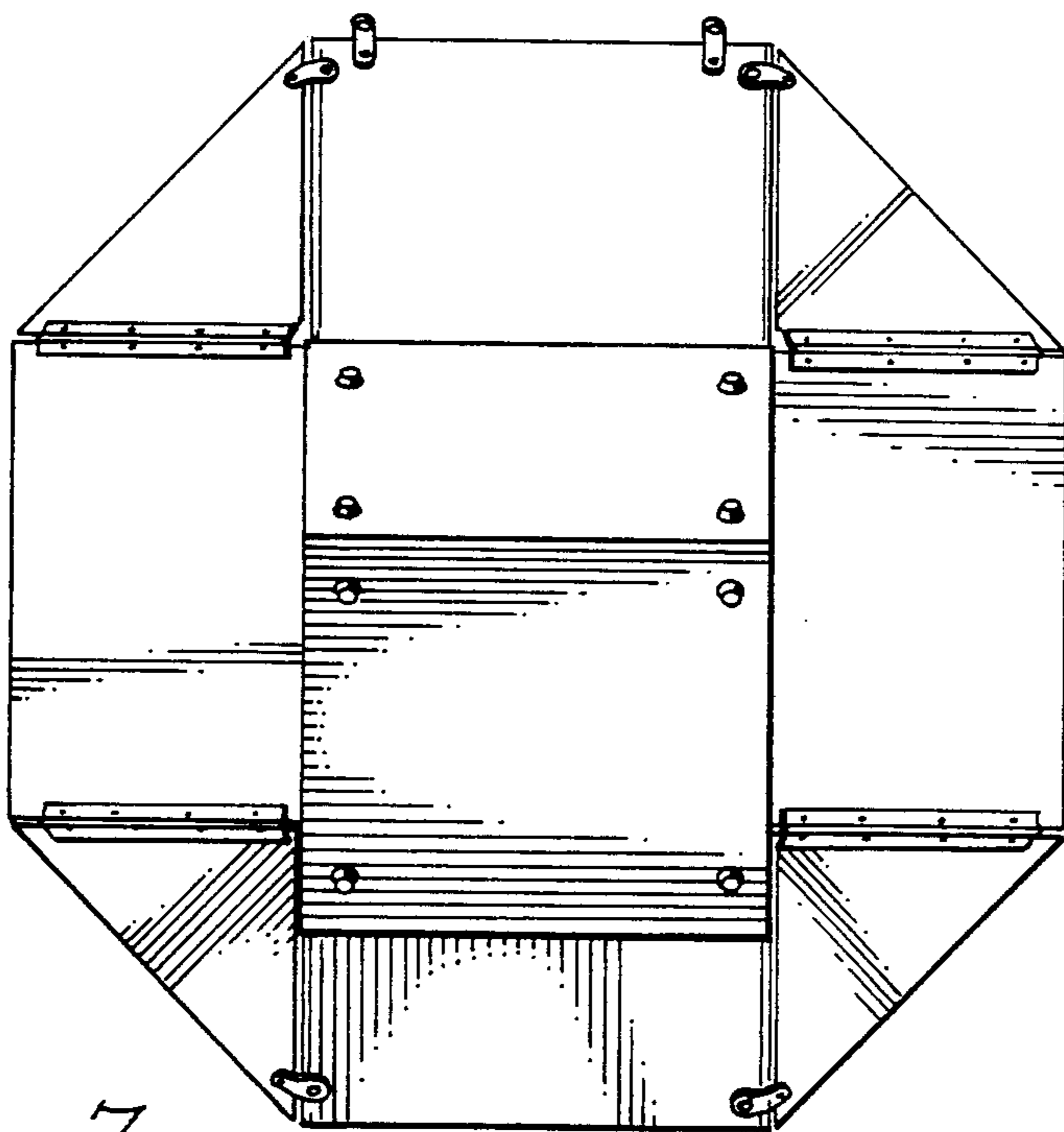
*fig. 4*



*fig. 5*



*fig. 6*



*fig. 7*