

[54] POLE CHARCOAL GRILL

[76] Inventor: Albert D. Ottmar, Beresford, S. Dak. 57004

[\*\*] Term: 14 Years

[21] Appl. No.: 28,161

[22] Filed: Apr. 9, 1979

[51] Int. Cl. .... D7-02

[52] U.S. Cl. .... D7/109

[58] Field of Search ..... D7/107, 108, 109, 110; 126/25 R, 25 A, 25 AA, 25 B, 25 C, 29, 30, 9 R, 9 A, 9 B

[56] References Cited

U.S. PATENT DOCUMENTS

2,827,846	3/1958	Karkling .....	D7/109 X
2,960,979	11/1960	Stone .....	126/25 A
3,094,113	6/1963	Avila .....	126/30
3,498,210	3/1970	O'Toole .....	126/9 R X

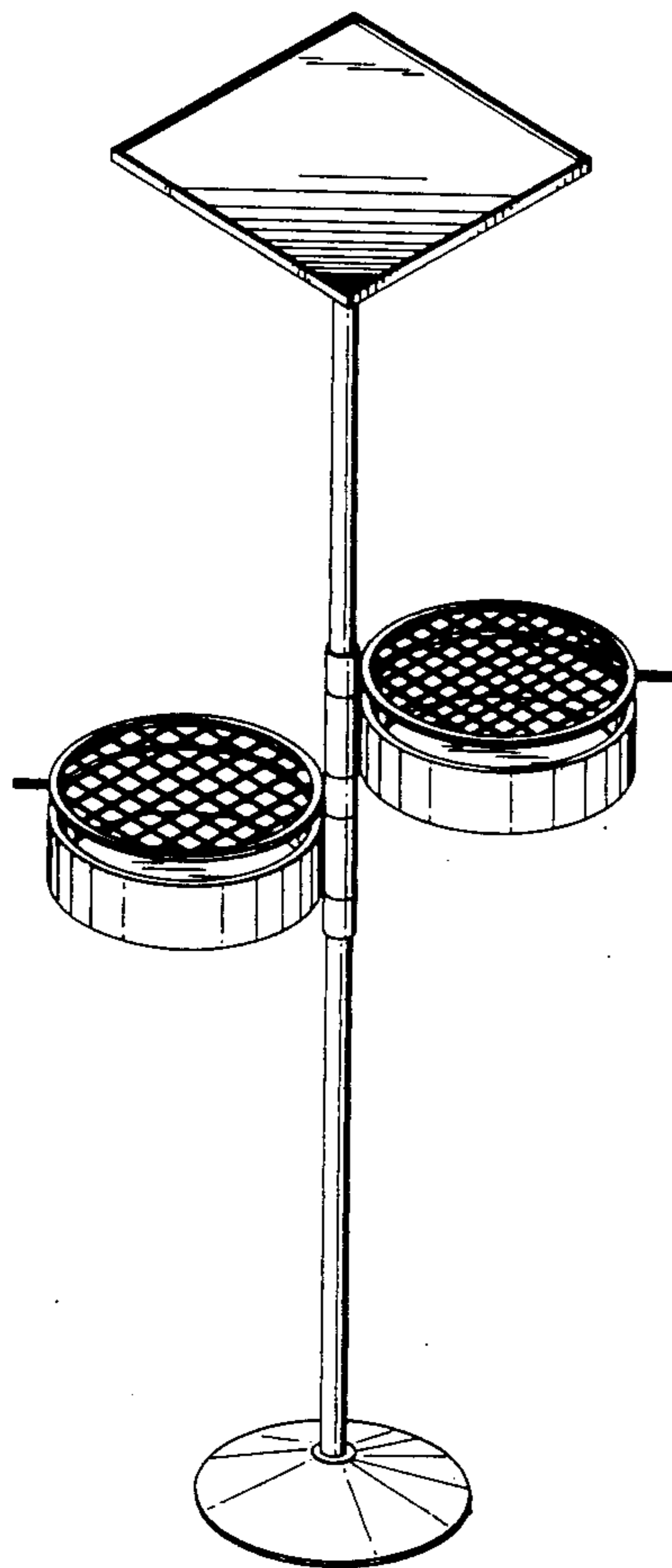
Primary Examiner—Catherine L. Kemper  
Attorney, Agent, or Firm—Merchant, Gould, Smith, Edell, Welter & Schmidt

[57] CLAIM

The ornamental design for a pole charcoal grill, substantially as shown and described.

DESCRIPTION

FIG. 1 is a perspective view of a pole charcoal grill, showing my new design;  
FIG. 2 is a side elevational view thereof, shown on a reduced scale;  
FIG. 3 is a top plan view thereof;  
FIG. 4 is a bottom plan view thereof;  
FIG. 5 is a side elevational view thereof showing the side opposite that seen in FIG. 2;  
FIG. 6 is a side elevational view thereof as seen from right to left of FIG. 5; and  
FIG. 7 is a side elevational view thereof showing the side opposite that seen in FIG. 6.



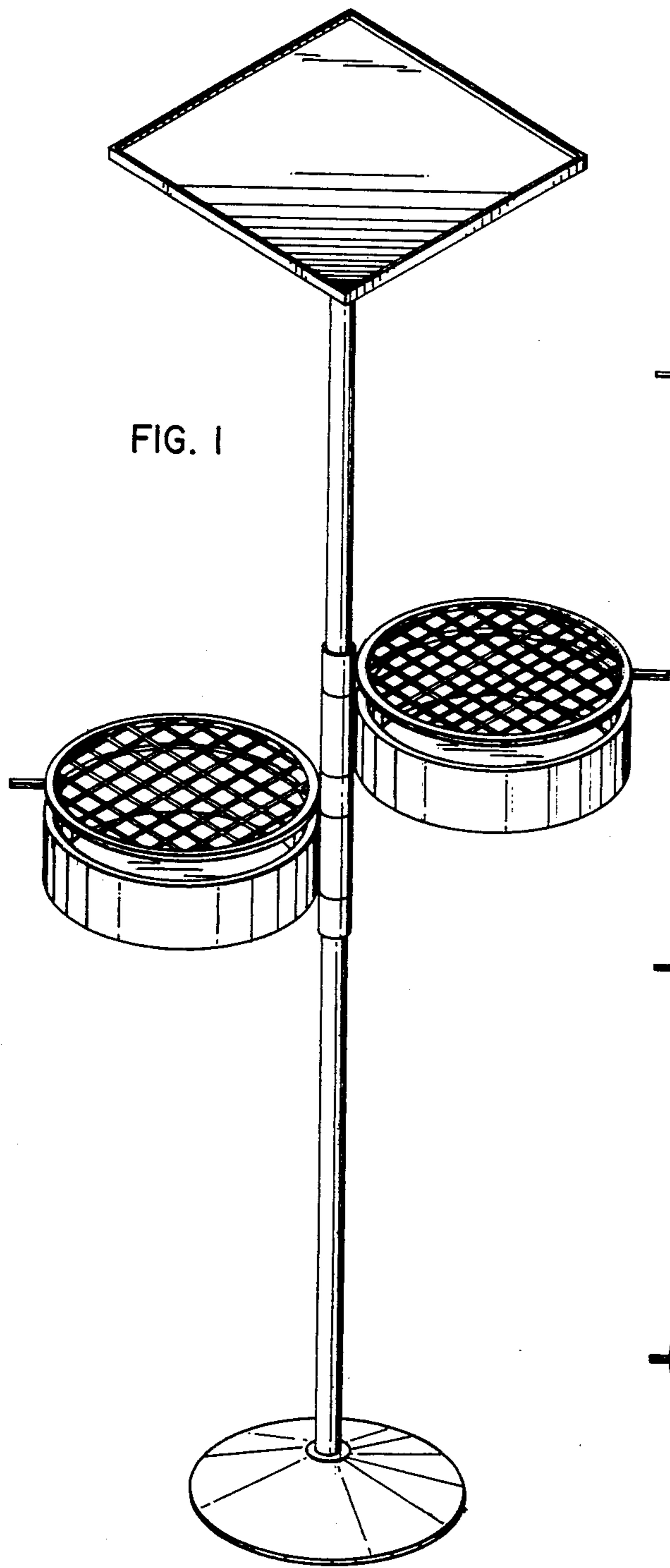


FIG. 1

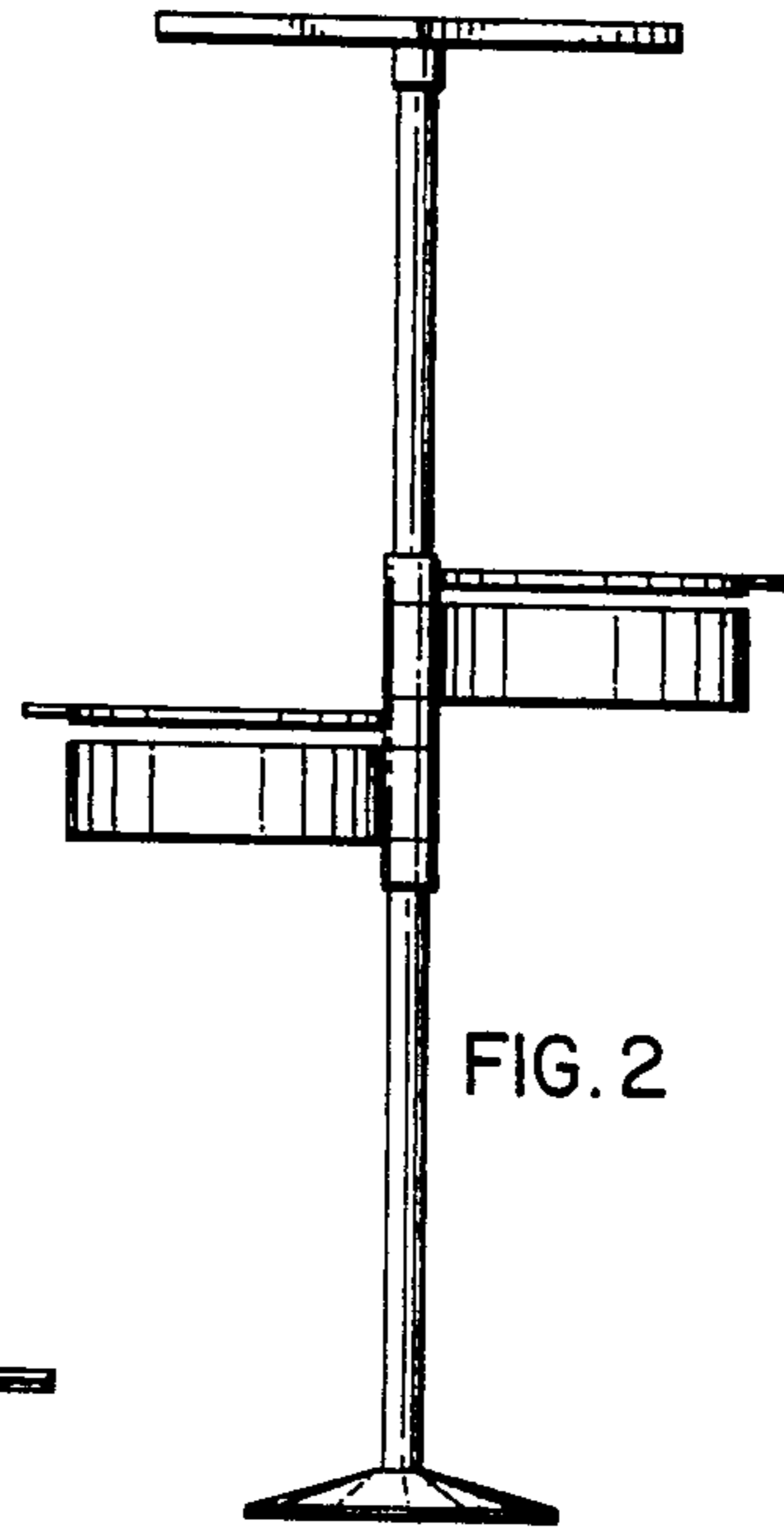


FIG. 2

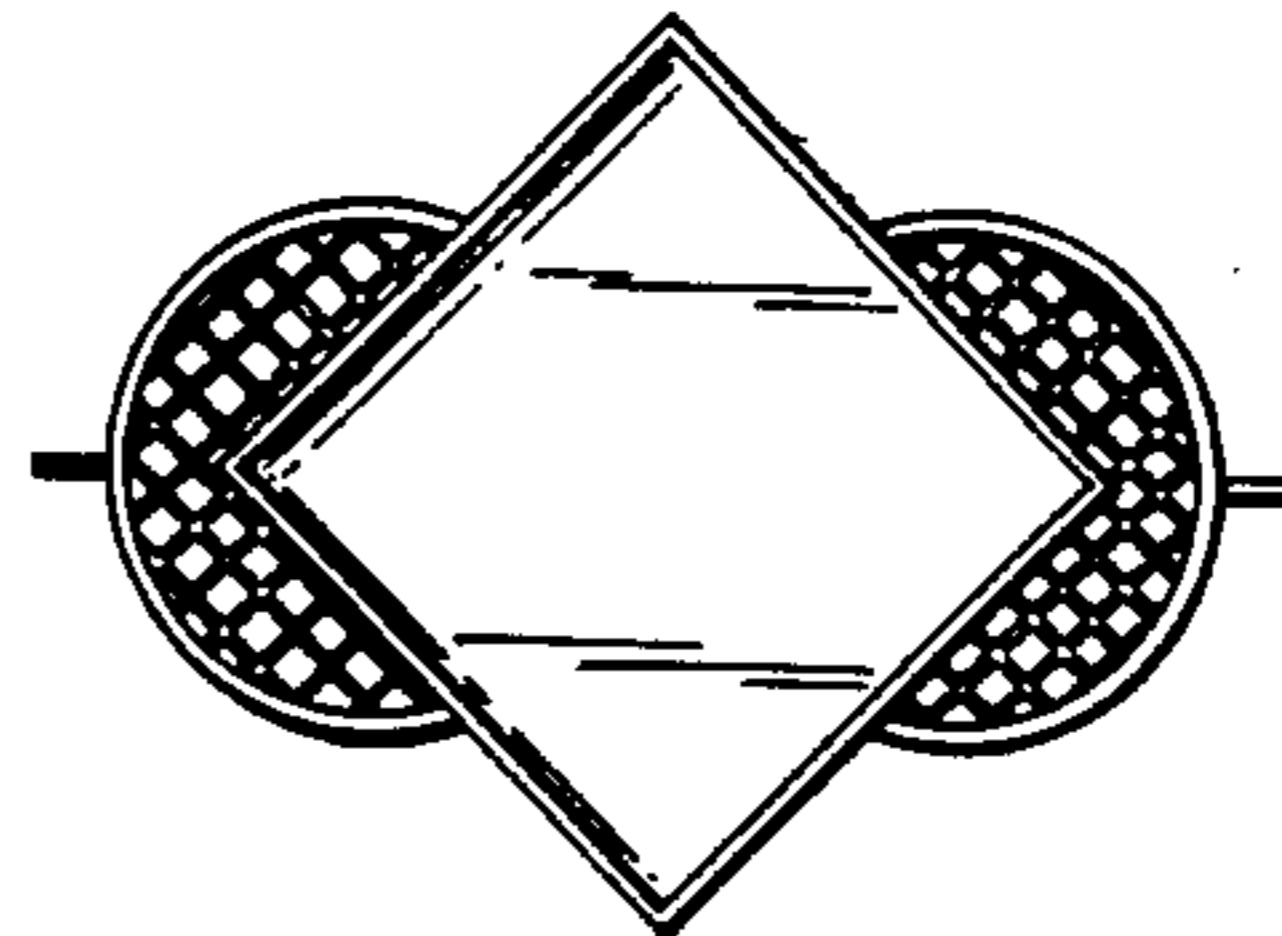


FIG. 3

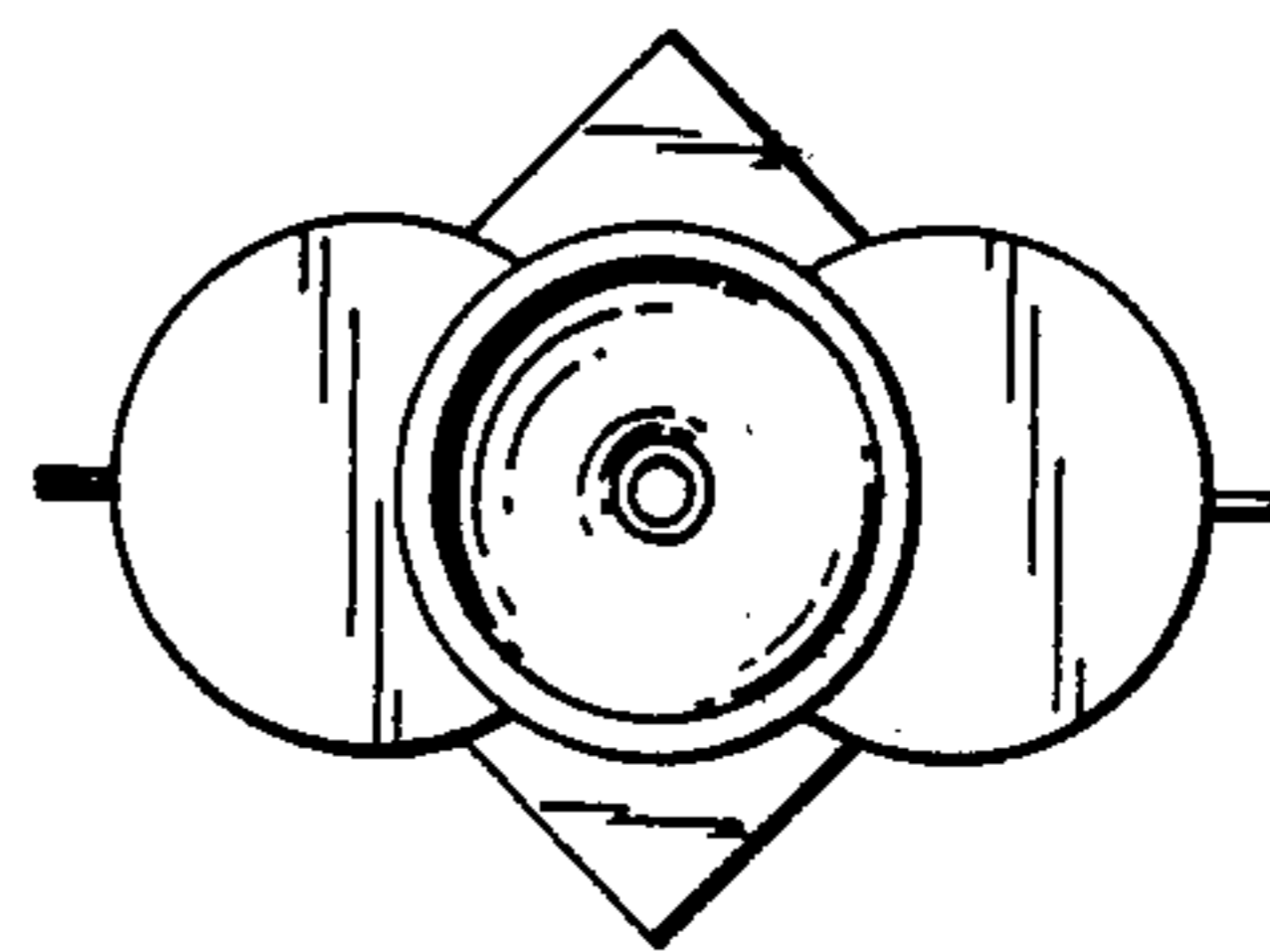


FIG. 4

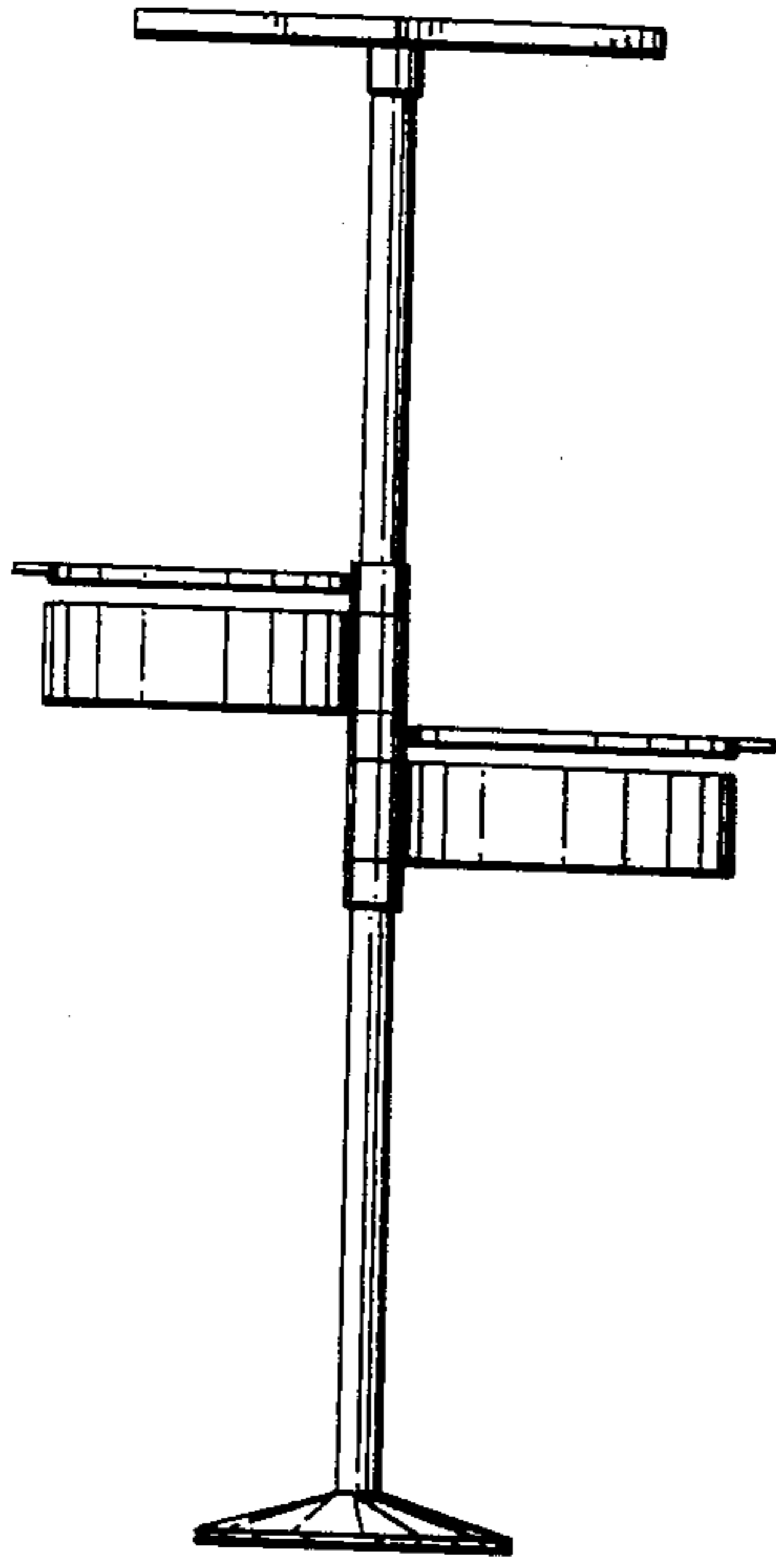


FIG. 5

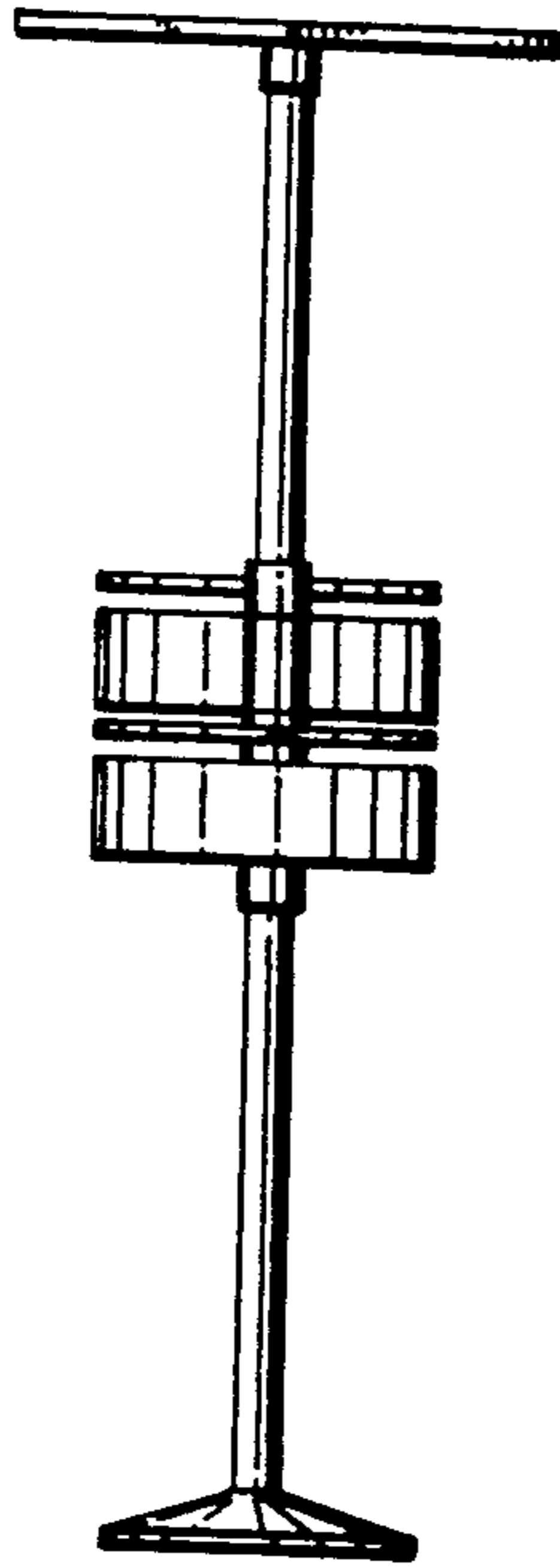


FIG. 6

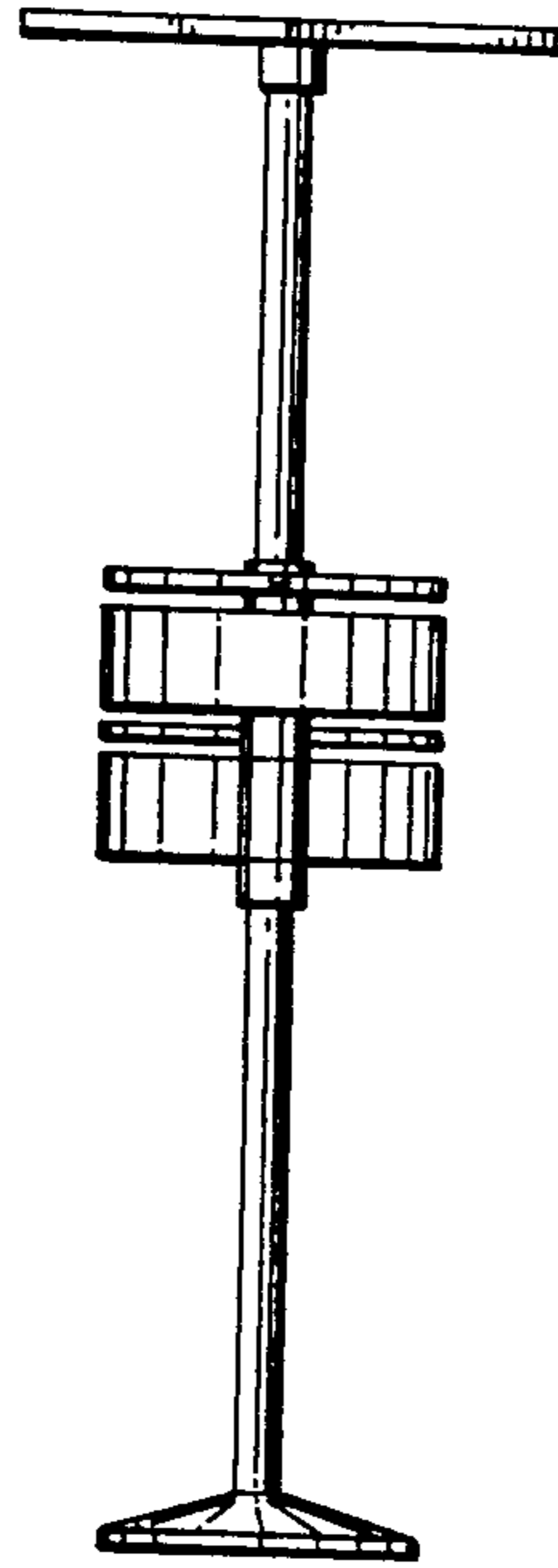


FIG. 7