

[54] KETTLE

[75] Inventor: Leonard L. Quinn, Barrie, Canada

[73] Assignee: Dart Industries Inc., Los Angeles, Calif.

[\*\*] Term: 14 Years

[21] Appl. No.: 70,769

[22] Filed: Aug. 30, 1979

[51] Int. Cl. .... D07-02

[52] U.S. Cl. .... D7/65

[58] Field of Search ..... D7/51, 59, 60, 62, 63, D7/64, 65, 66, 67

[56] References Cited

U.S. PATENT DOCUMENTS

|            |        |                 |         |
|------------|--------|-----------------|---------|
| D. 115,833 | 7/1939 | Kruck .....     | D7/65   |
| D. 192,815 | 5/1962 | Storr .....     | D7/60   |
| D. 210,237 | 2/1968 | Mestrovic ..... | D7/64   |
| 1,380,066  | 5/1921 | Johnson .....   | D7/60 X |

OTHER PUBLICATIONS

*Design #160*, Apr. 1962, p. 10, Jug-type Kettle by British Aluminium Co., Ltd.

*Tableware International*, Nov. 1970, p. 24, "Linea" Tea Pot shown at bottom right.

Primary Examiner—Winifred E. Herrmann  
Attorney, Agent, or Firm—Kenneth J. Hovet

[57] CLAIM

The ornamental design for a kettle, substantially as shown.

DESCRIPTION

FIG. 1 is a perspective view of a kettle showing my new design;

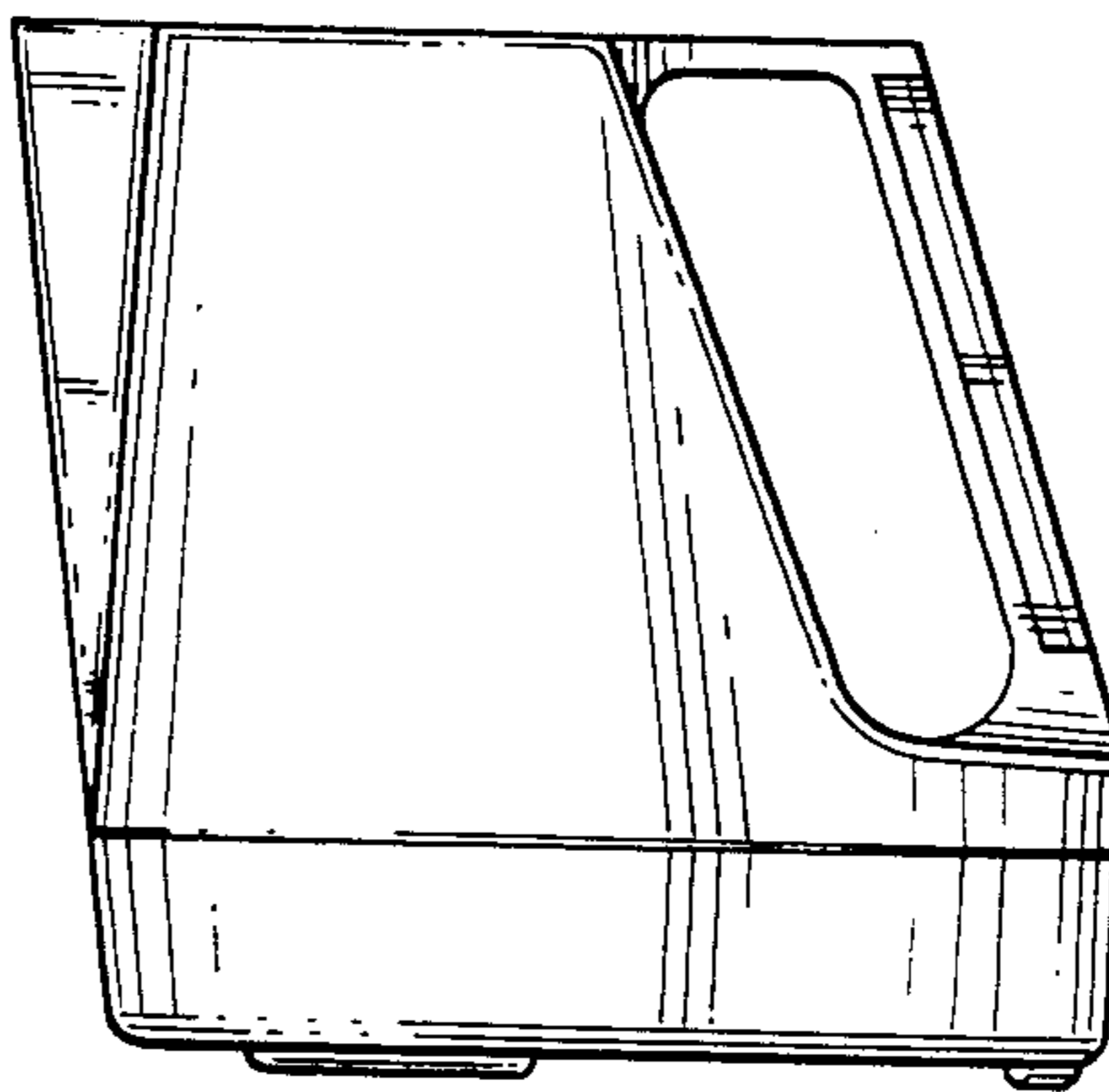
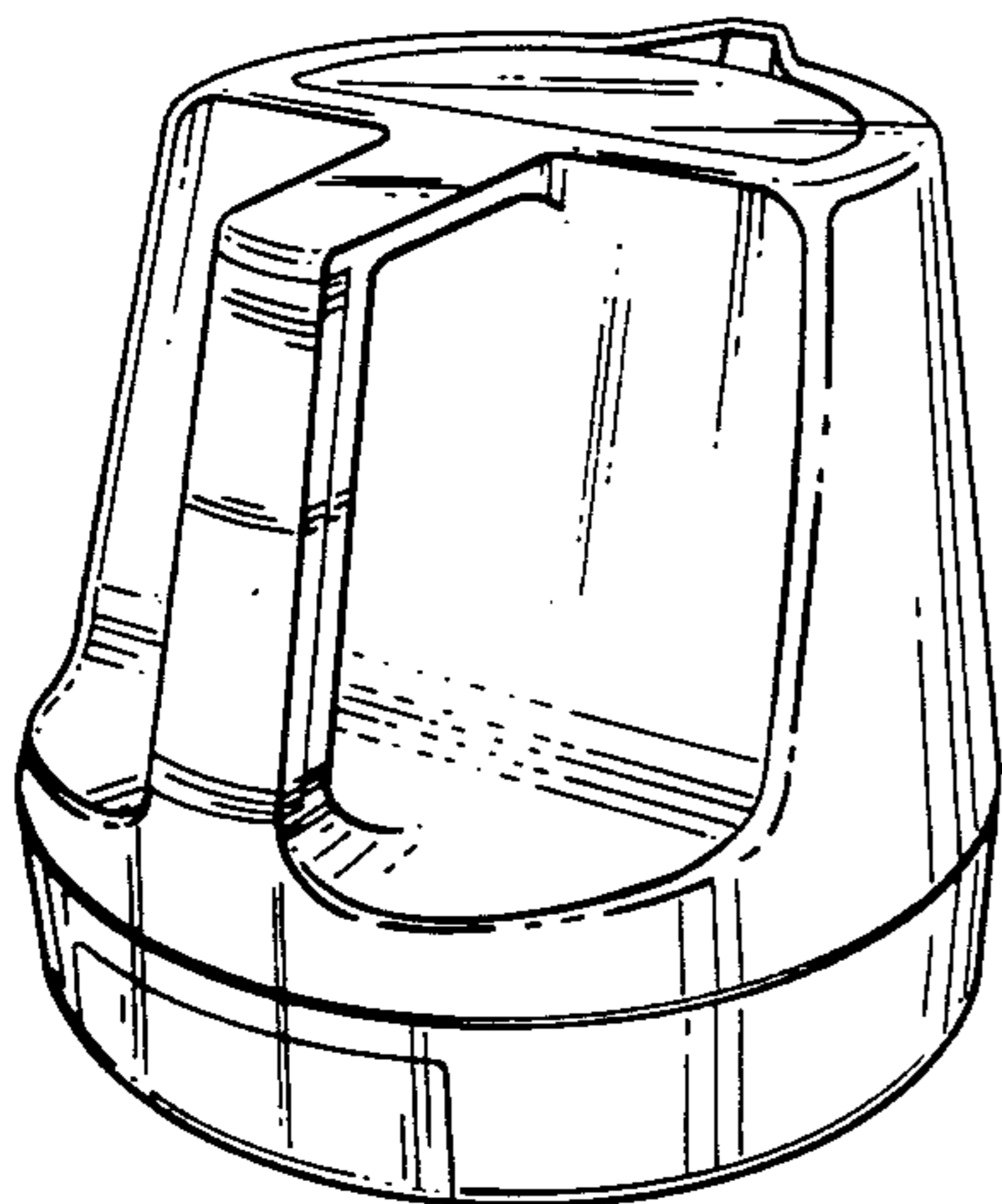
FIG. 2 is a side elevational view;

FIG. 3 is a back end elevational view;

FIG. 4 is a front end elevational view;

FIG. 5 is a top plan view; and,

FIG. 6 is a bottom plan view.



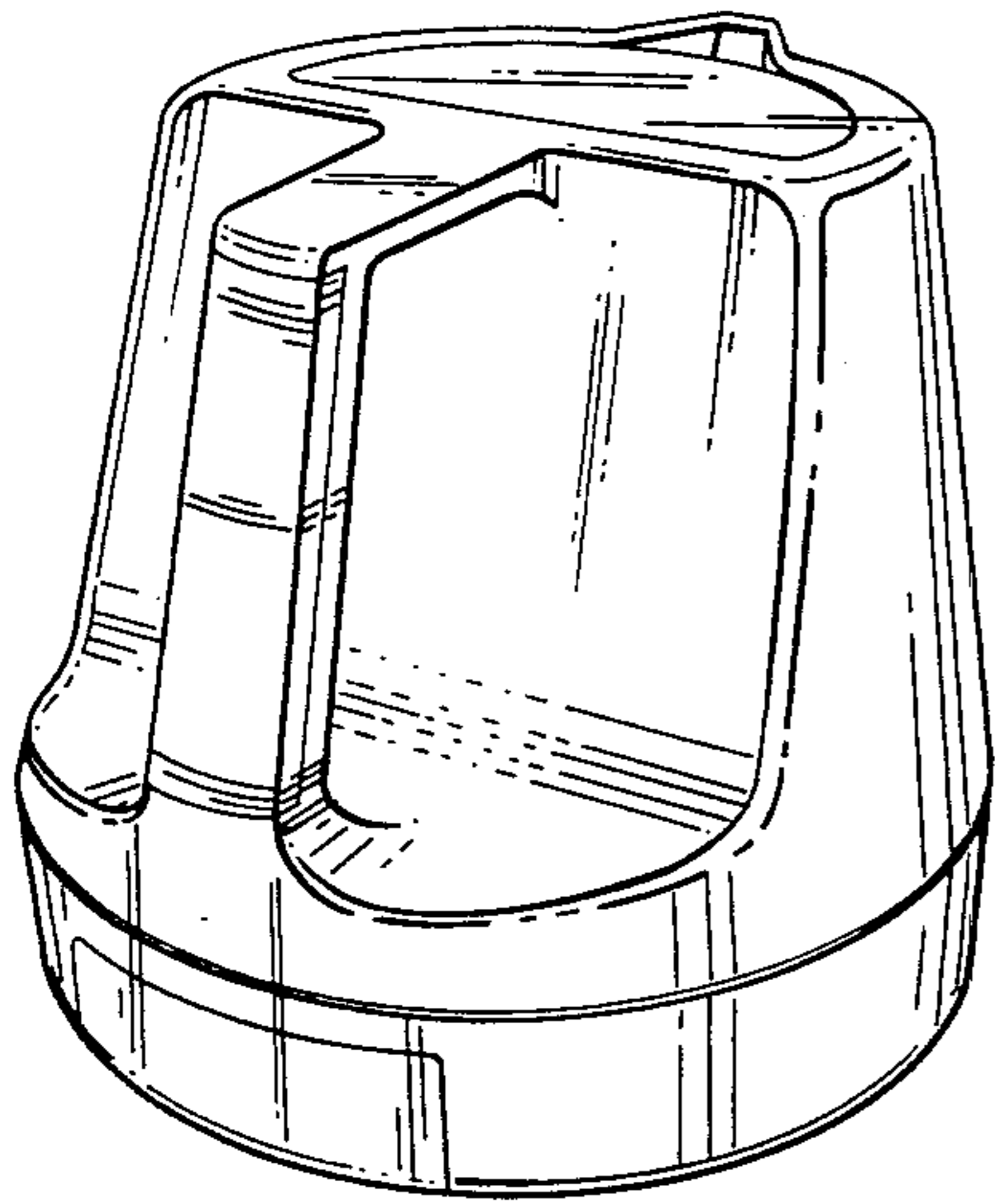


FIG. 1

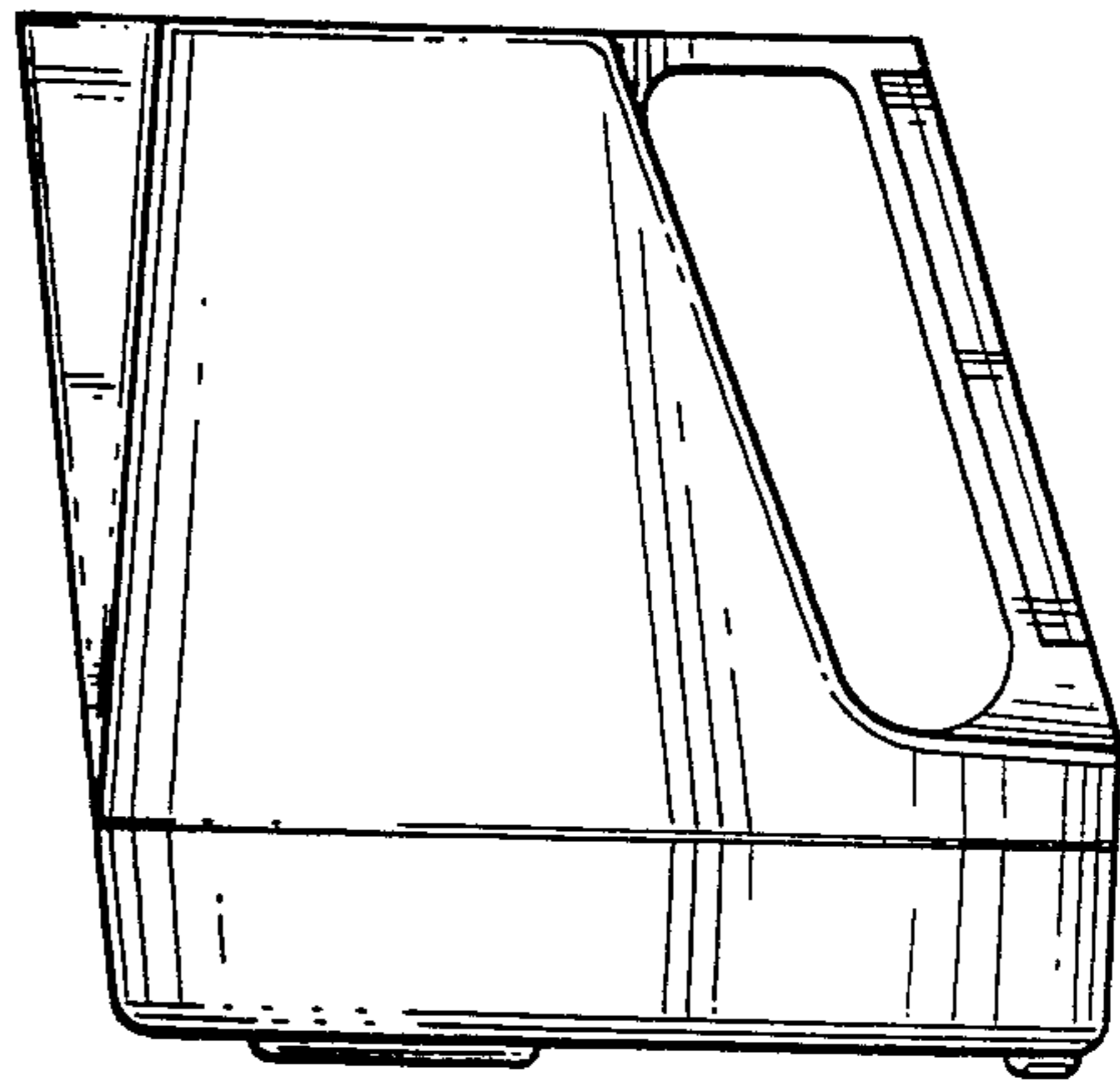


FIG. 2

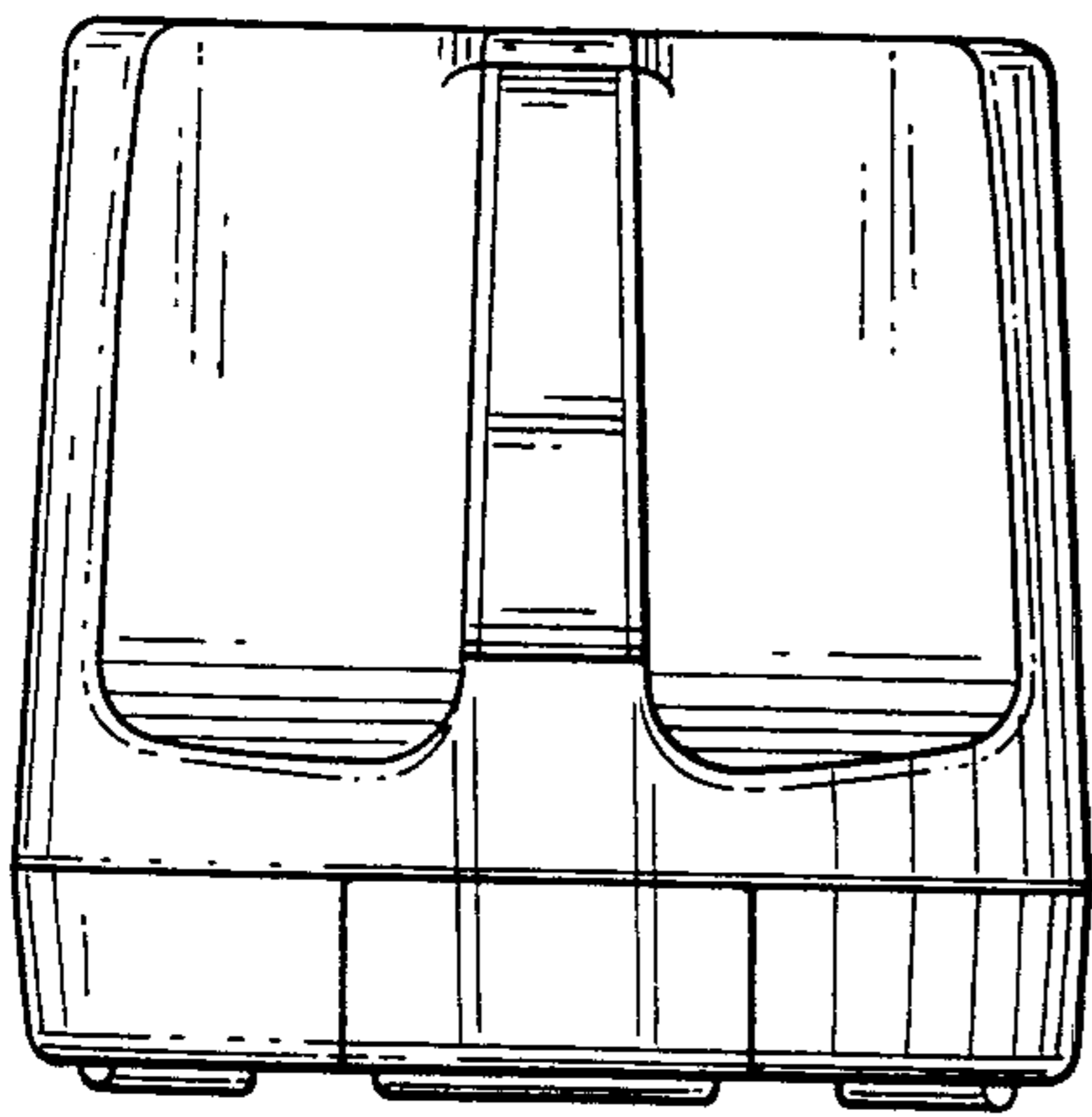


FIG. 3

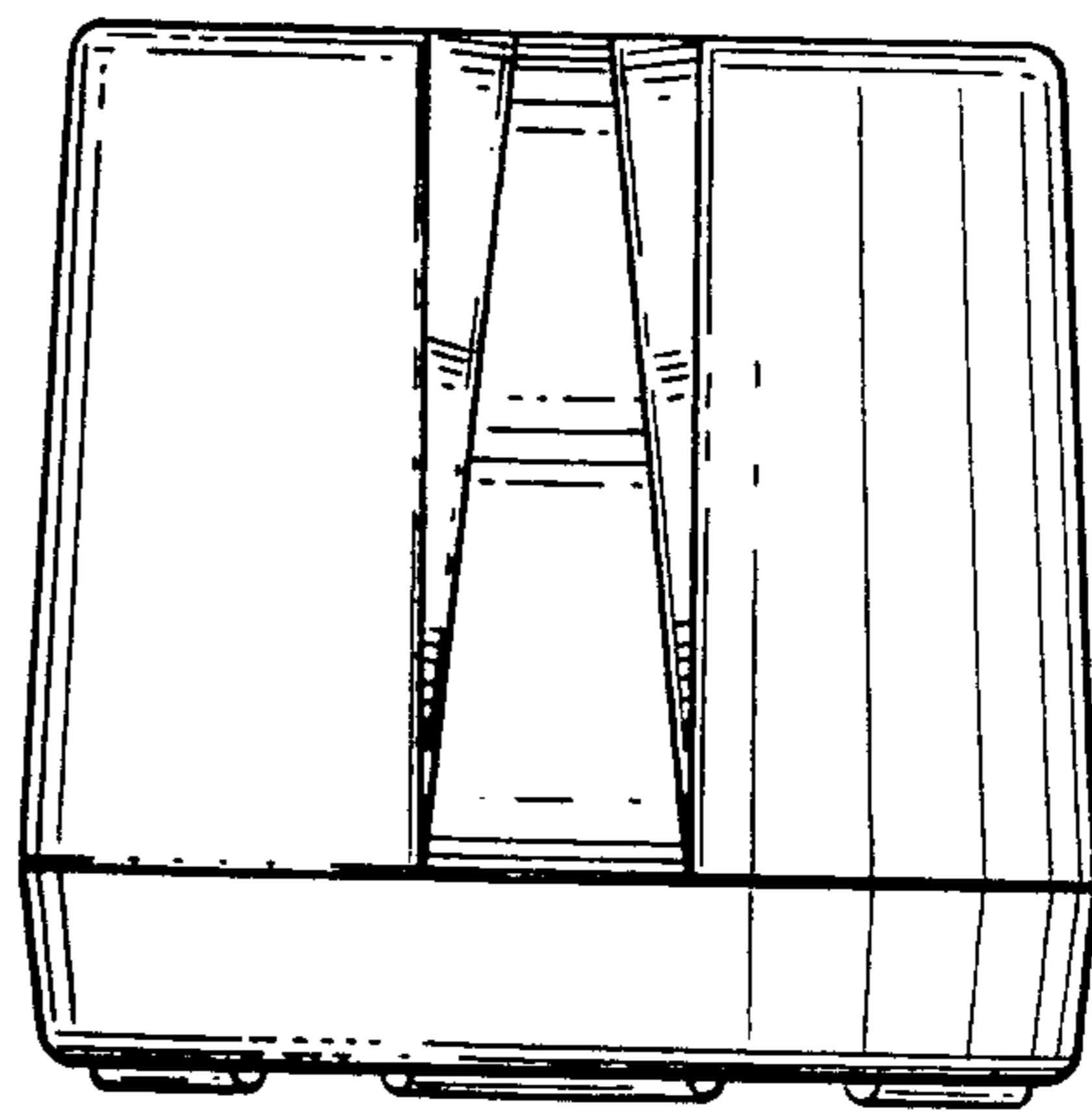


FIG. 4

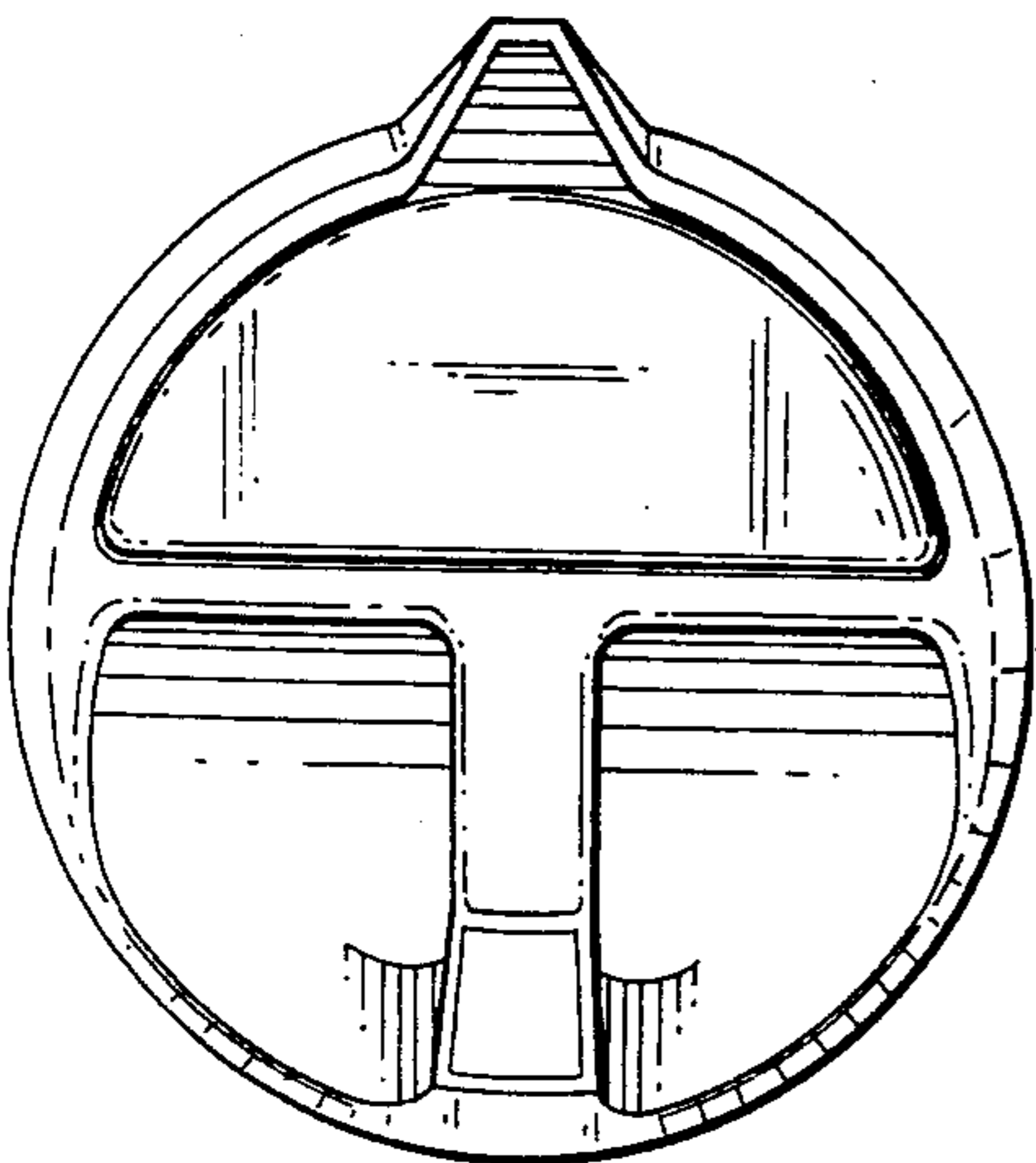


FIG. 5

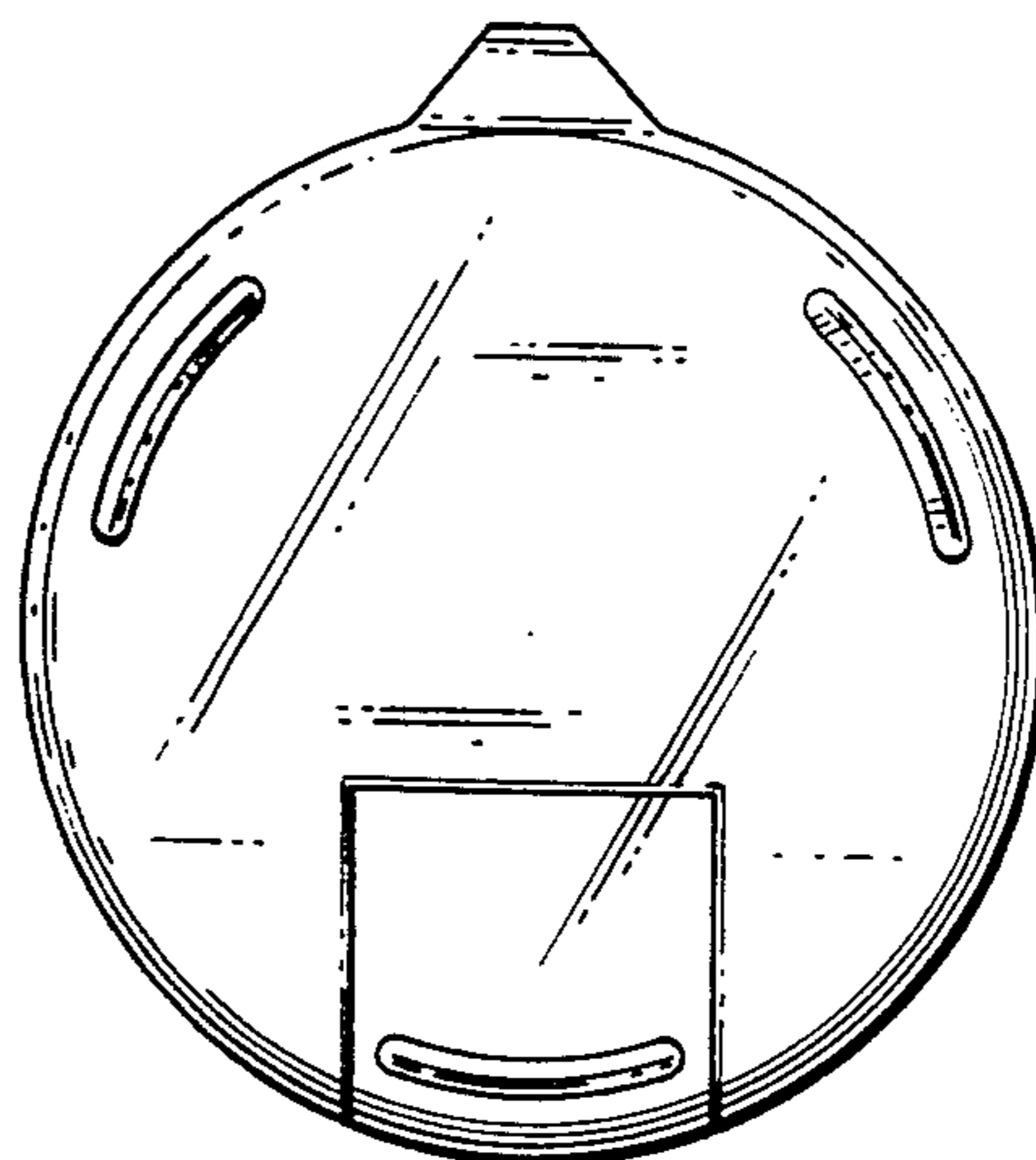


FIG. 6