

[54] DISH WITH HINGED COVER

[75] Inventor: Renate Buchsteiner nee Fetzer, Gingen, Fed. Rep. of Germany

[73] Assignee: Johannes Buchsteiner GmbH & Co. KG, Gingen, Fed. Rep. of Germany

[**] Term: 14 Years

[21] Appl. No.: 917,022

[22] Filed: Jun. 19, 1978

[30] Foreign Application Priority Data
Dec. 22, 1977 [DE] Fed. Rep. of Germany 1605

[51] Int. Cl. D07-01

[52] U.S. Cl. D7/16; D7/84; D9/422

[58] Field of Search D7/84, 83, 16, 18; D9/222, 231, 235, 236, 232, 233

[56] References Cited

U.S. PATENT DOCUMENTS

D. 192,870 5/1962 Schwartz D7/84

OTHER PUBLICATIONS

Gift & Art Buyer, Mar. 1961, p. 9, Rainbow Wood Products Adv.-Butter Dish #385.

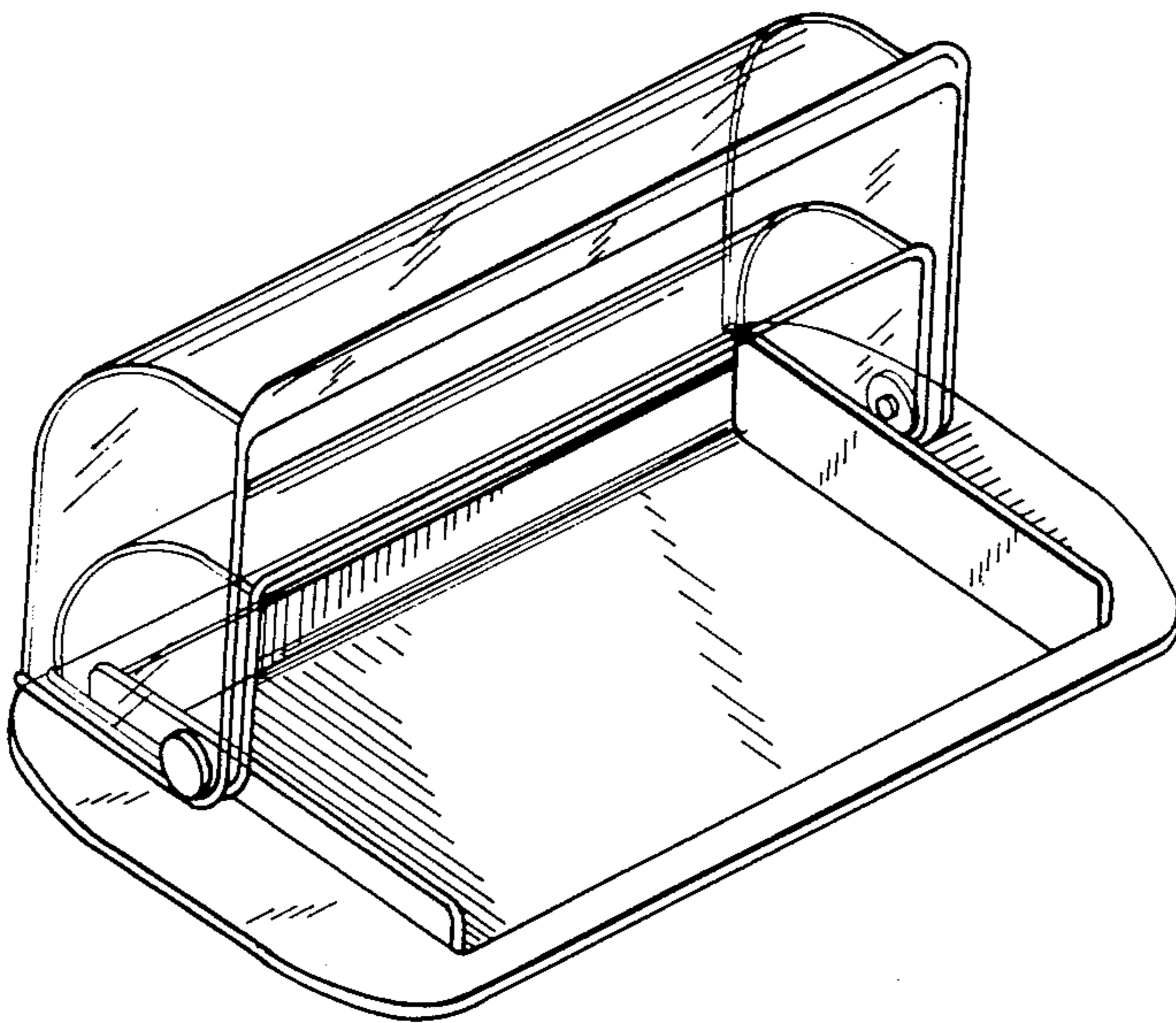
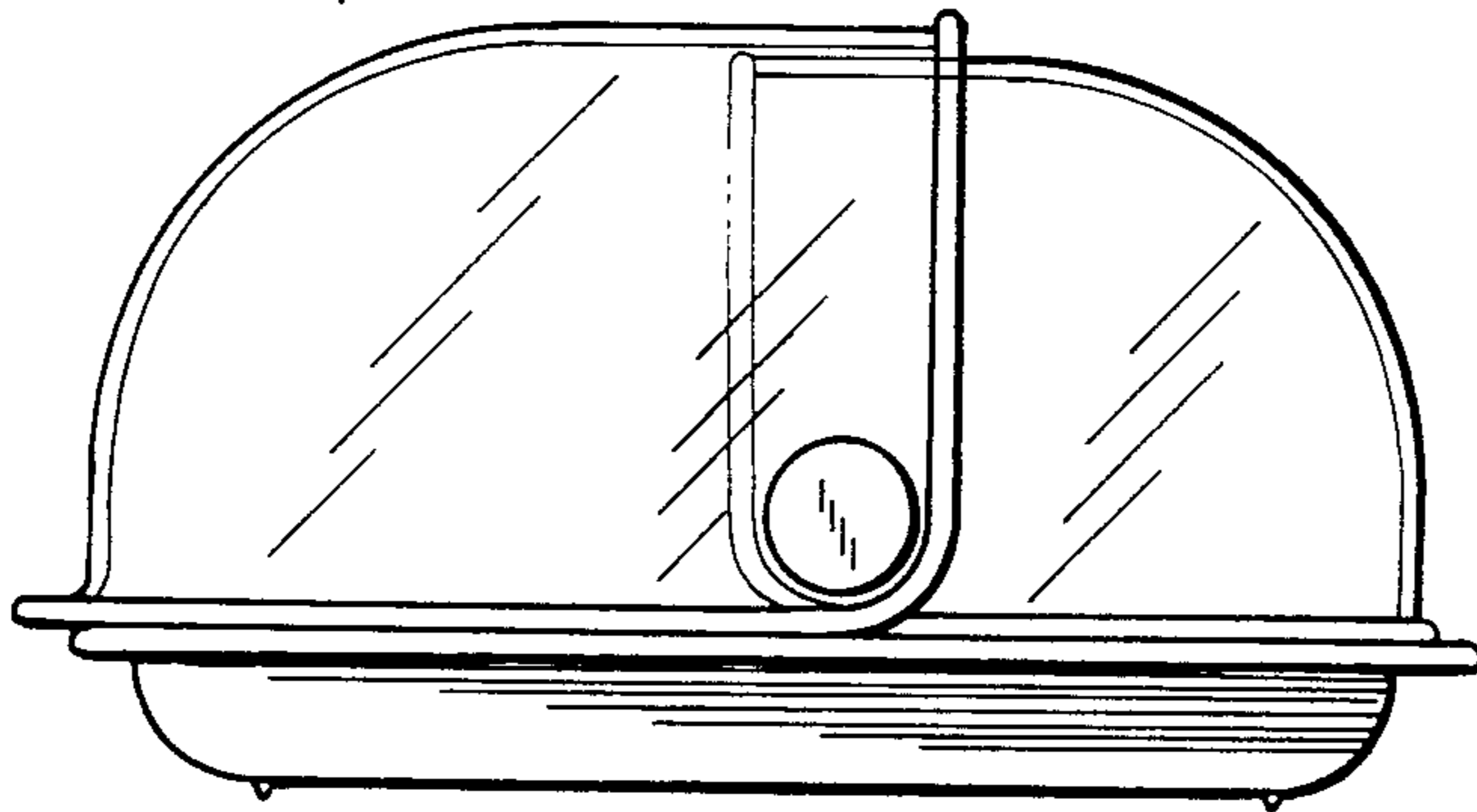
Primary Examiner—Winifred E. Herrmann
Attorney, Agent, or Firm—Michael J. Striker

[57] CLAIM

The ornamental design for a dish with hinged cover, substantially as shown and described.

DESCRIPTION

FIG. 1 is a front elevational view of a dish with hinged cover showing my new design;
FIG. 2 is a rear elevational view thereof;
FIG. 3 is an elevational view of the right-hand side thereof;
FIG. 4 is a top plan view thereof;
FIG. 5 is a bottom view thereof; and
FIG. 6 is a left perspective view thereof, showing the hinged cover in open position.



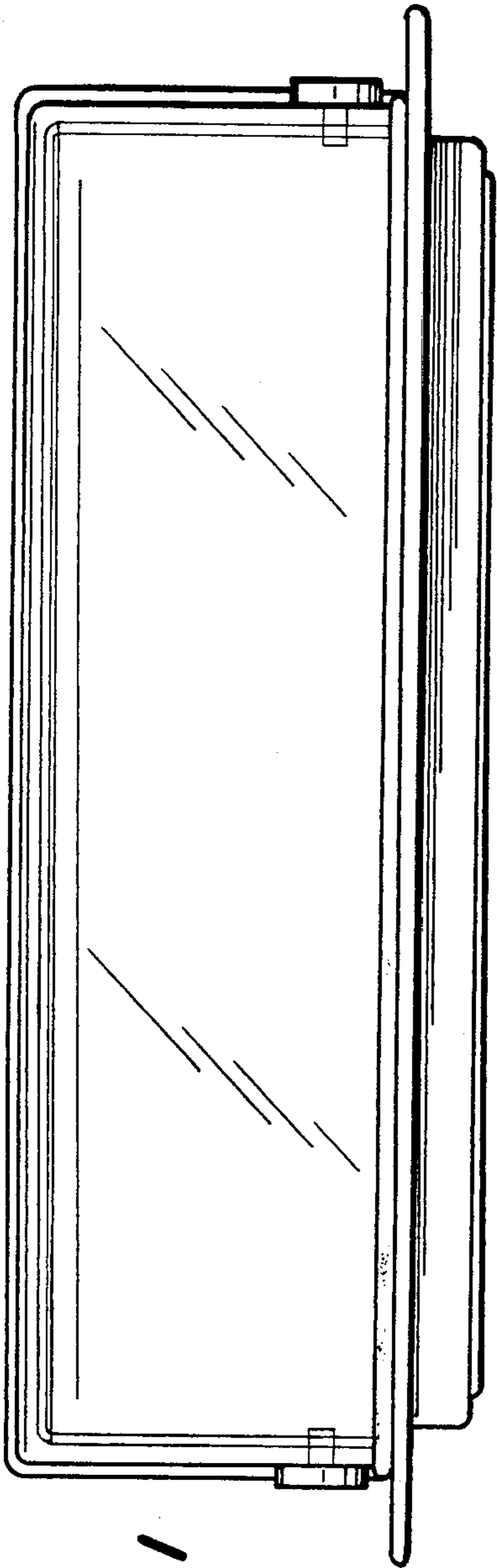


FIG. 1

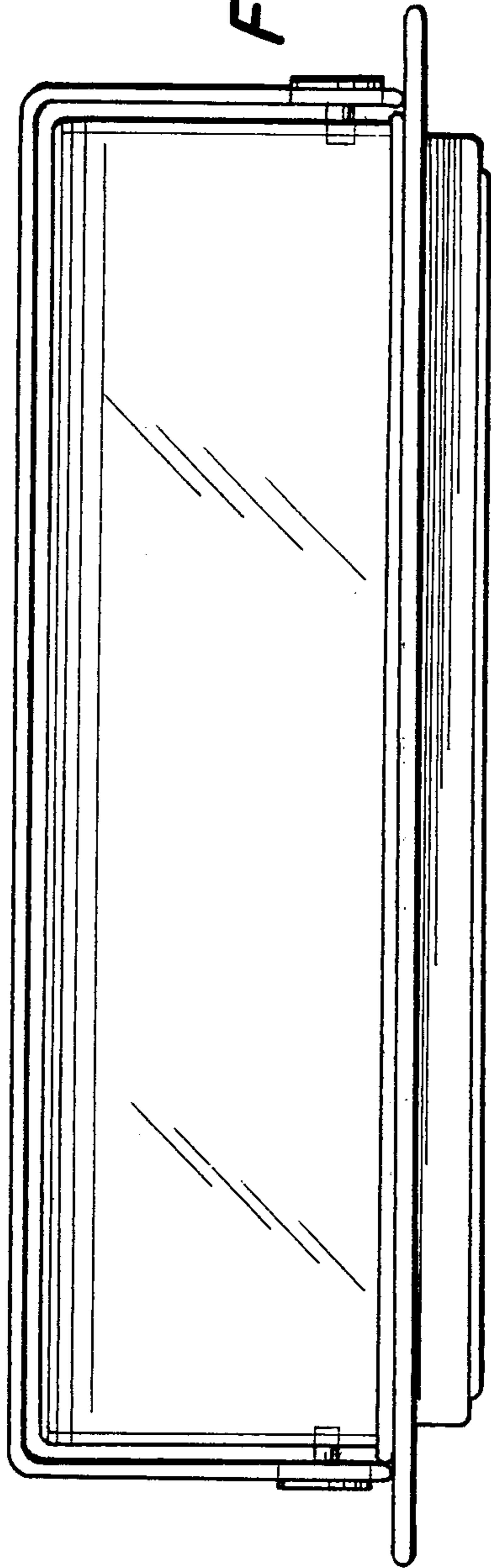


FIG. 2

FIG. 3

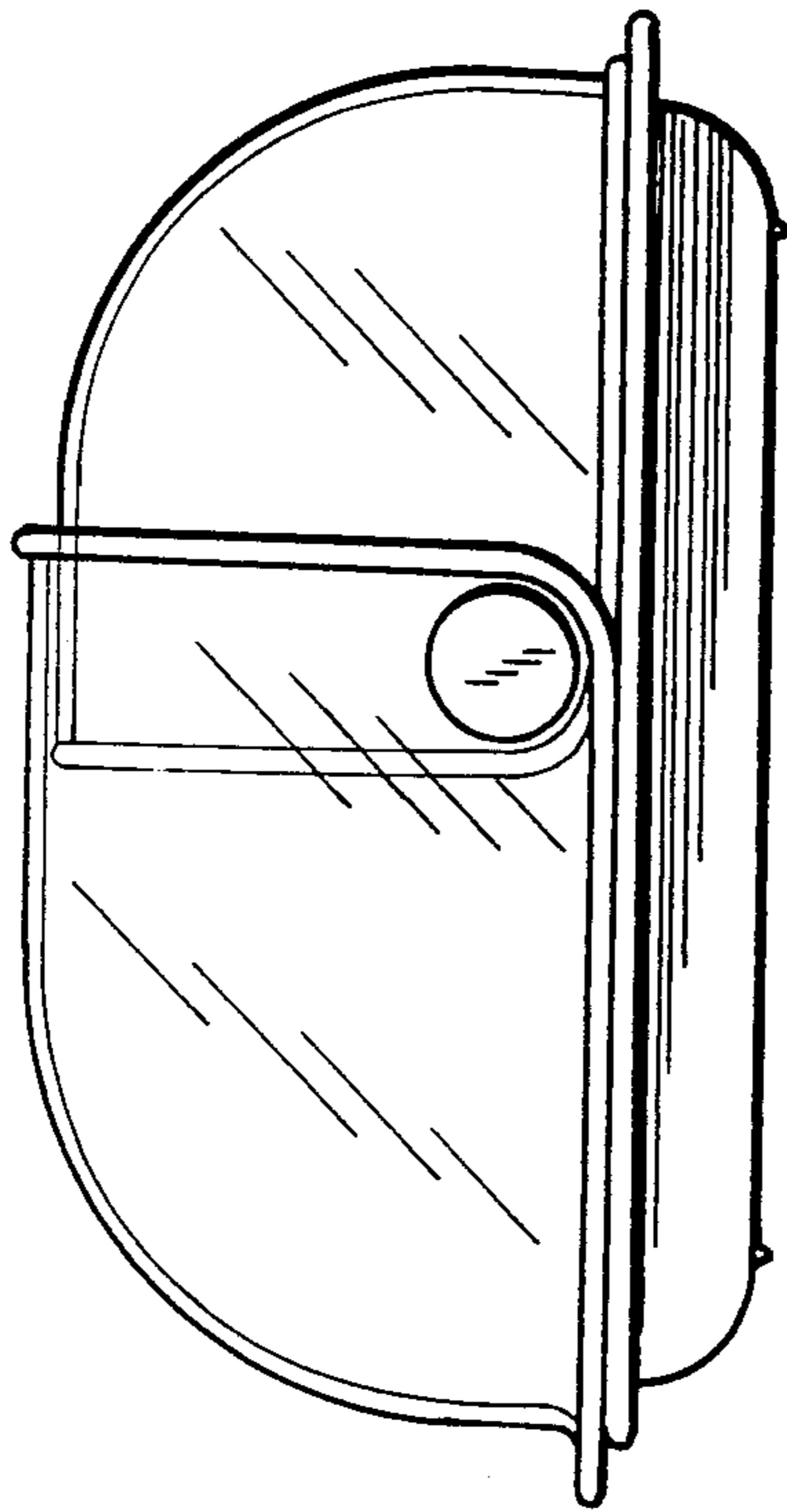


FIG. 4

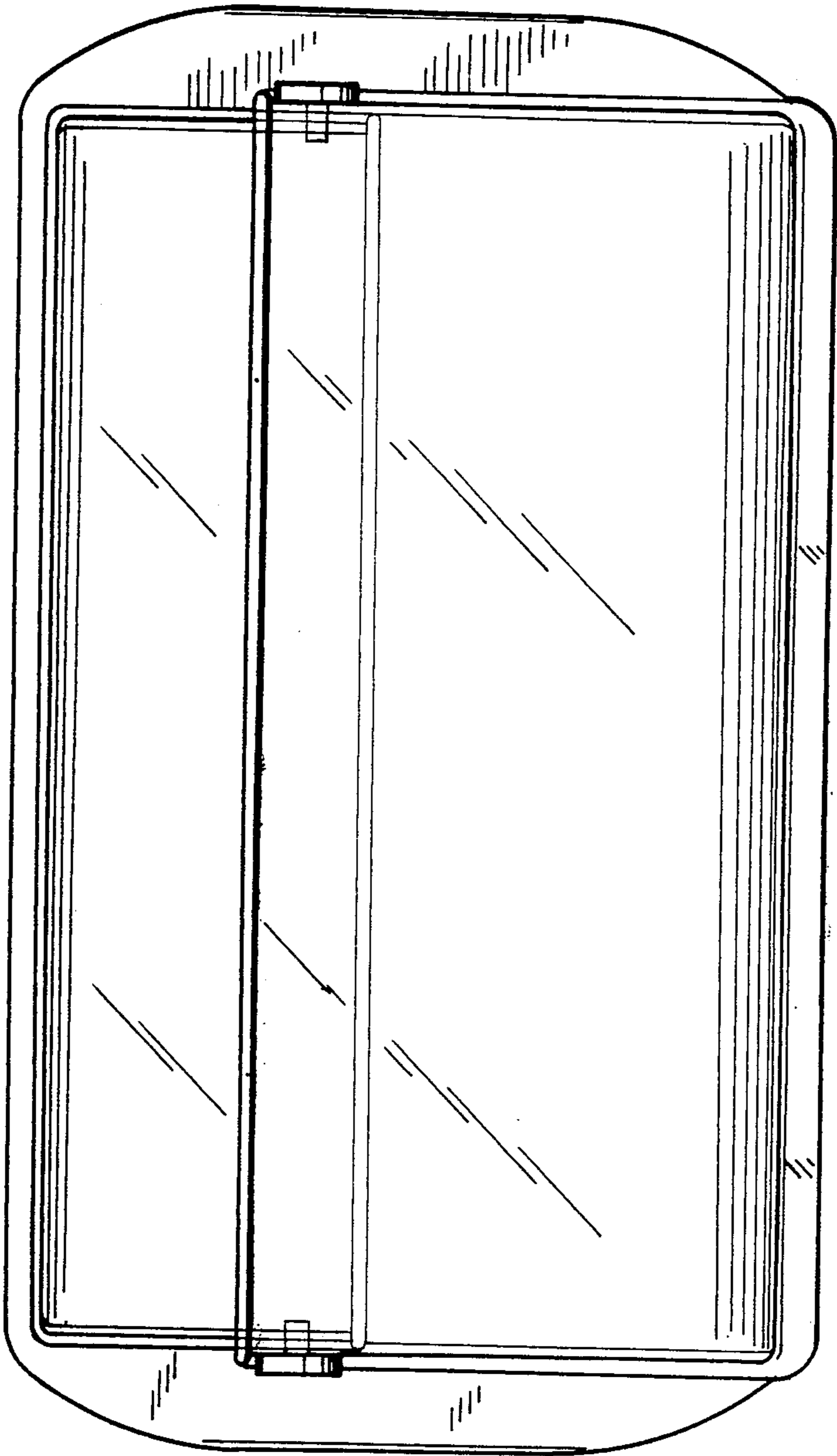
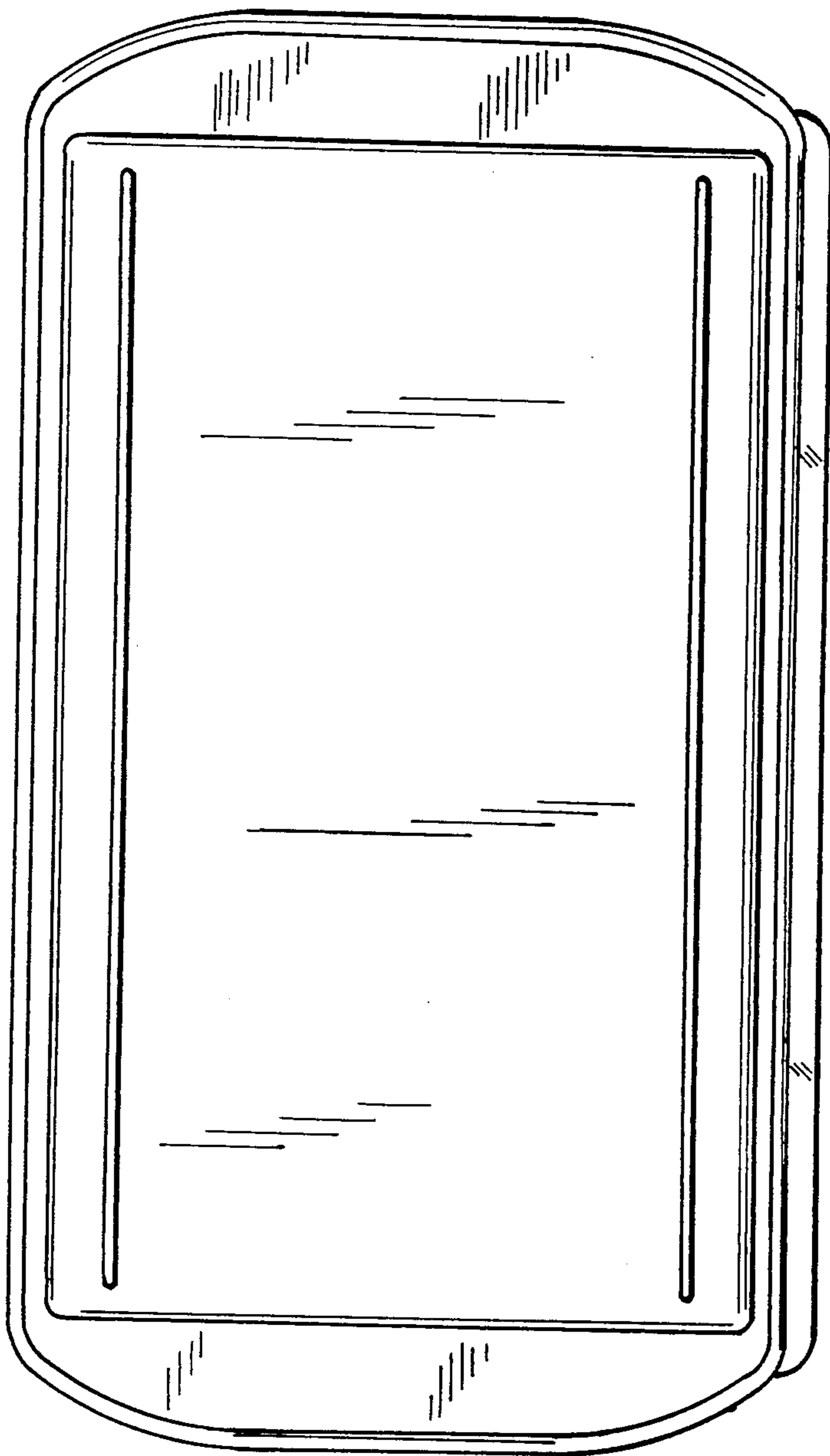


FIG. 5



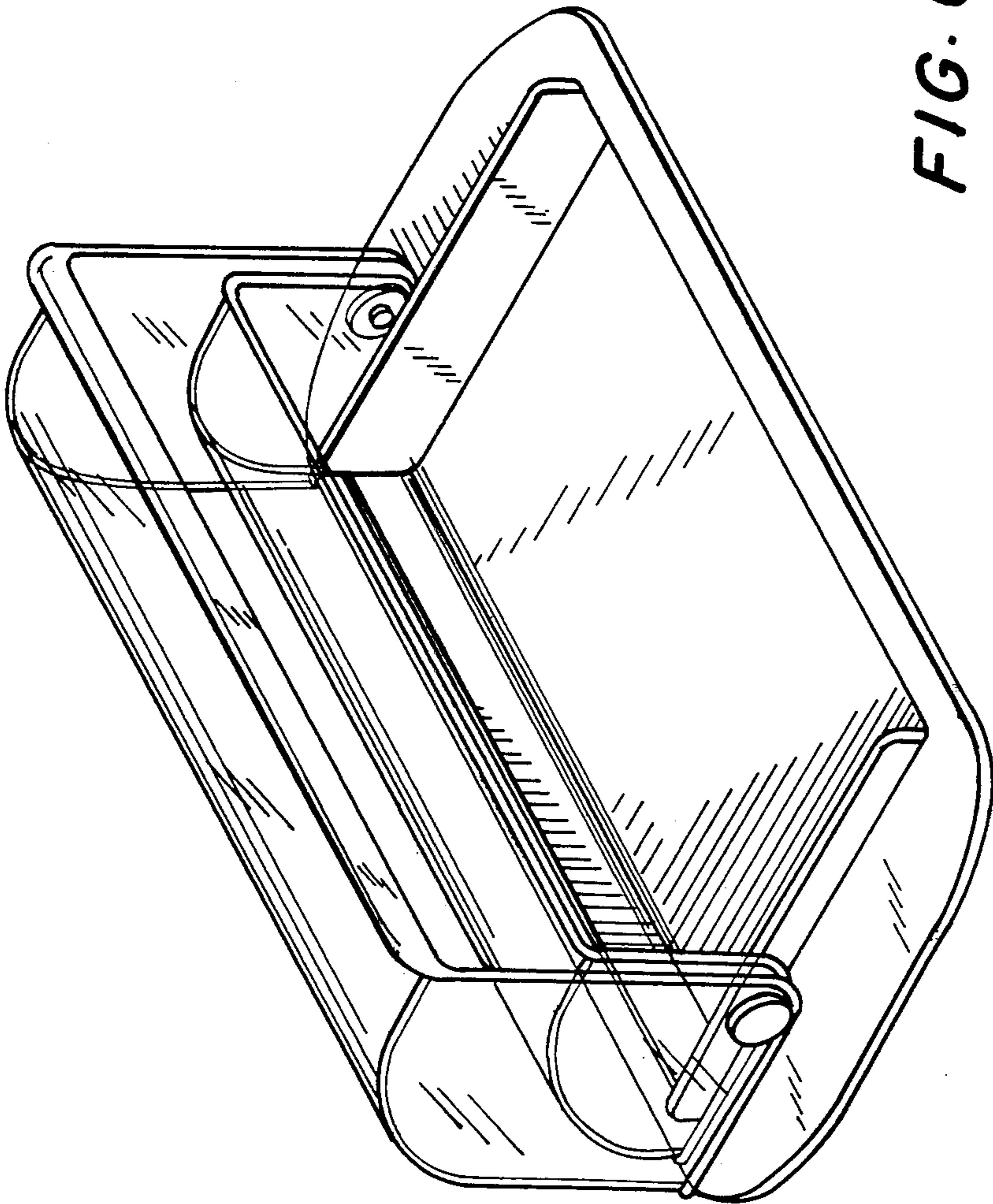


FIG. 6