

[54] COMBINED COSMETIC DISPLAY AND STORAGE UNIT

[75] Inventor: John J. Scalice, New York, N.Y.

[73] Assignee: Revlon, Inc., New York, N.Y.

[\*\*] Term: 14 Years

[21] Appl. No.: 968,002

[22] Filed: Dec. 11, 1978

[51] Int. Cl. .... D20-02; D6-04  
[52] U.S. Cl. .... D6/186; D6/134  
[58] Field of Search ..... D6/85, 134, 157, 181, D6/184, 186, 188-190; 211/13, 126, 128, 129, 131, 133-135; 108/28-31, 59, 92, 94

[56] References Cited

U.S. PATENT DOCUMENTS

1,569,013	1/1926	Gowran .....	D6/134
2,128,854	8/1938	Sagendorph et al. ....	211/126
4,103,782	8/1978	Mayer .....	211/126
4,118,084	10/1978	Sussman .....	D6/186

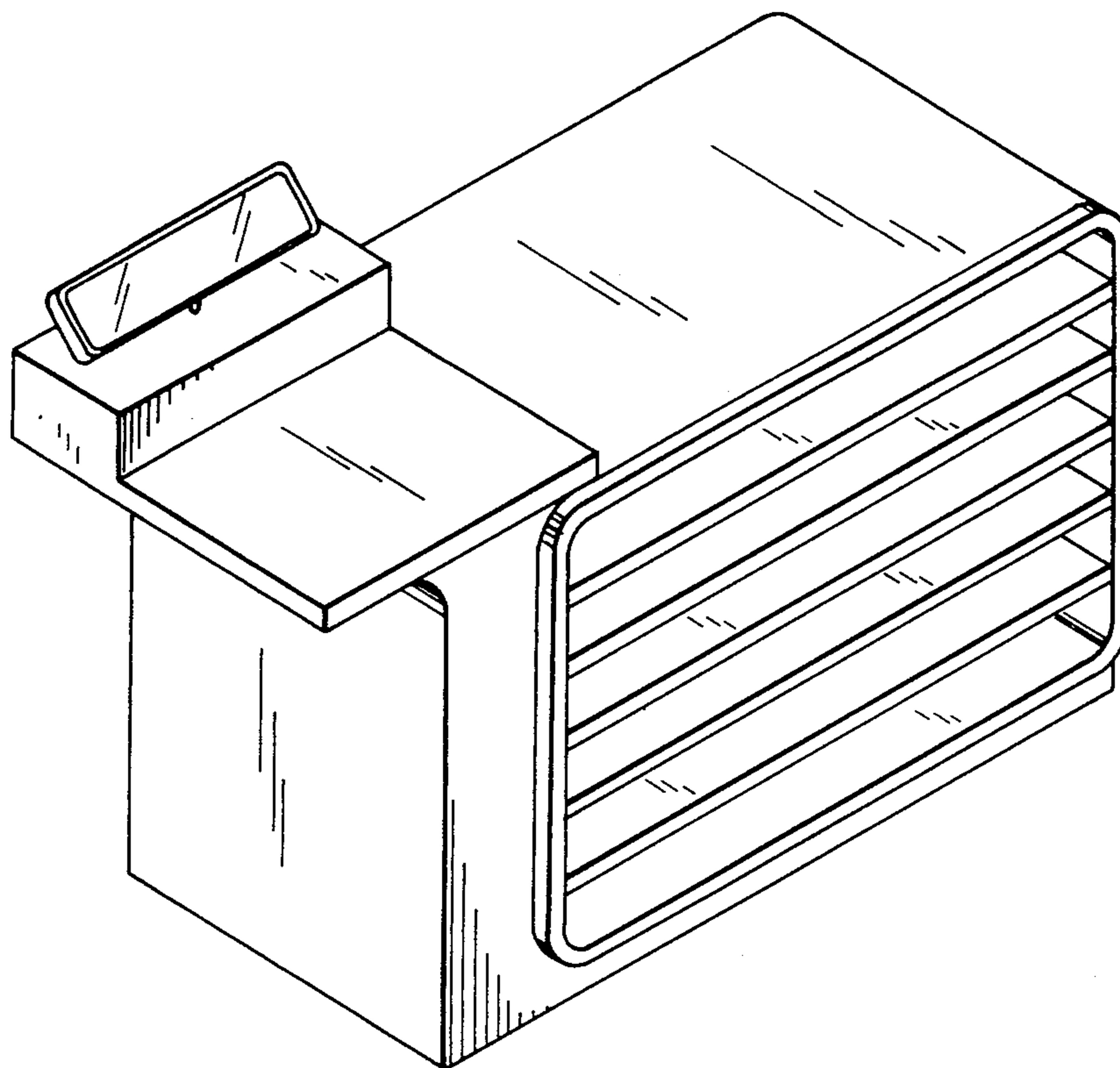
Primary Examiner—B. J. Bullock  
Attorney, Agent, or Firm—Leon E. Tenenbaum

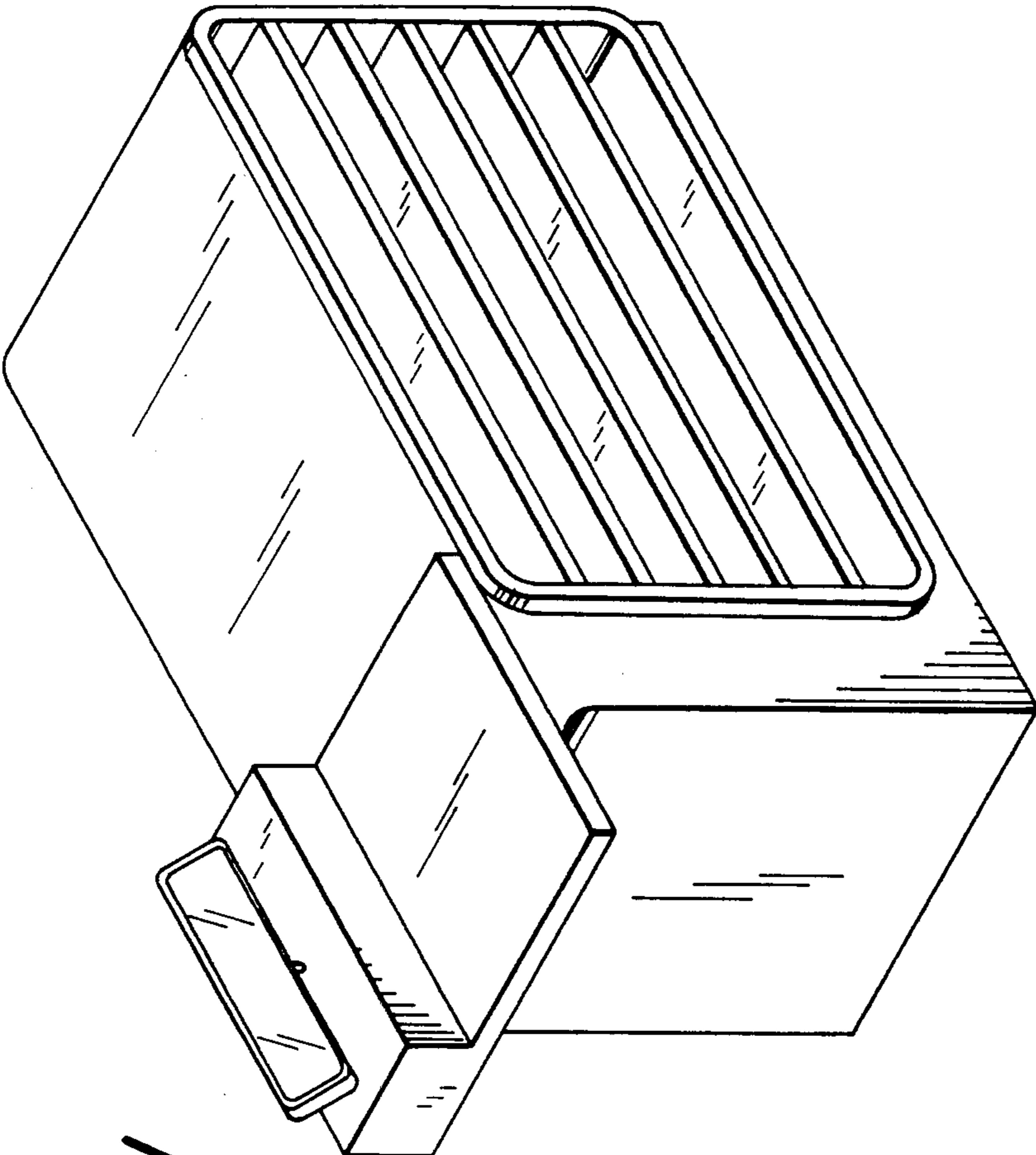
[57] CLAIM

The ornamental design for a combined cosmetic display and storage unit, as shown and described.

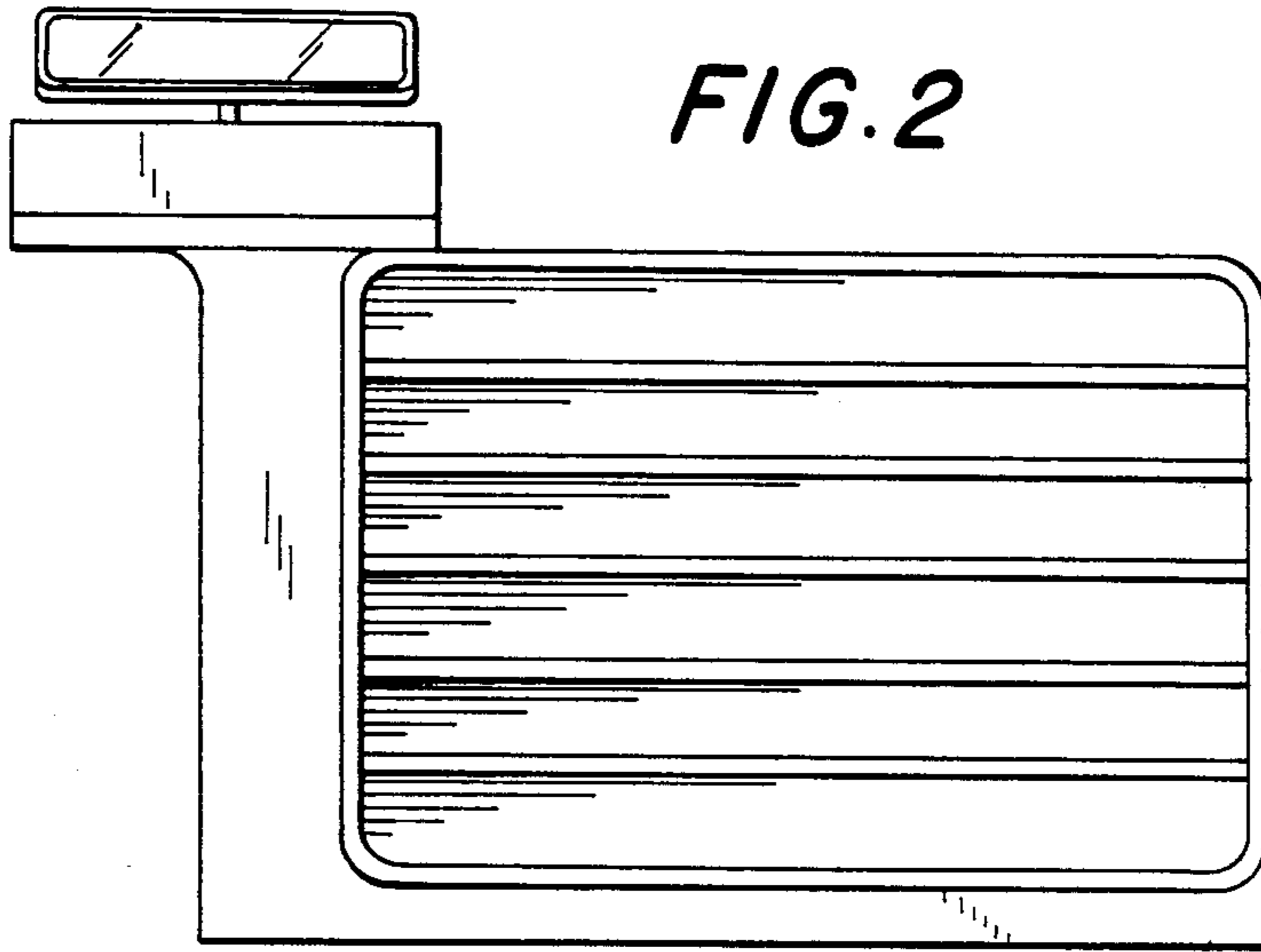
DESCRIPTION

FIG. 1 is an isometric view of the combined cosmetic display and storage unit showing my new design; FIG. 2 is a front elevational view thereof; FIG. 3 is a top view thereof; FIG. 4 is a rear elevational view thereof; and FIG. 5 is a side elevational view taken from the right of FIG. 1.

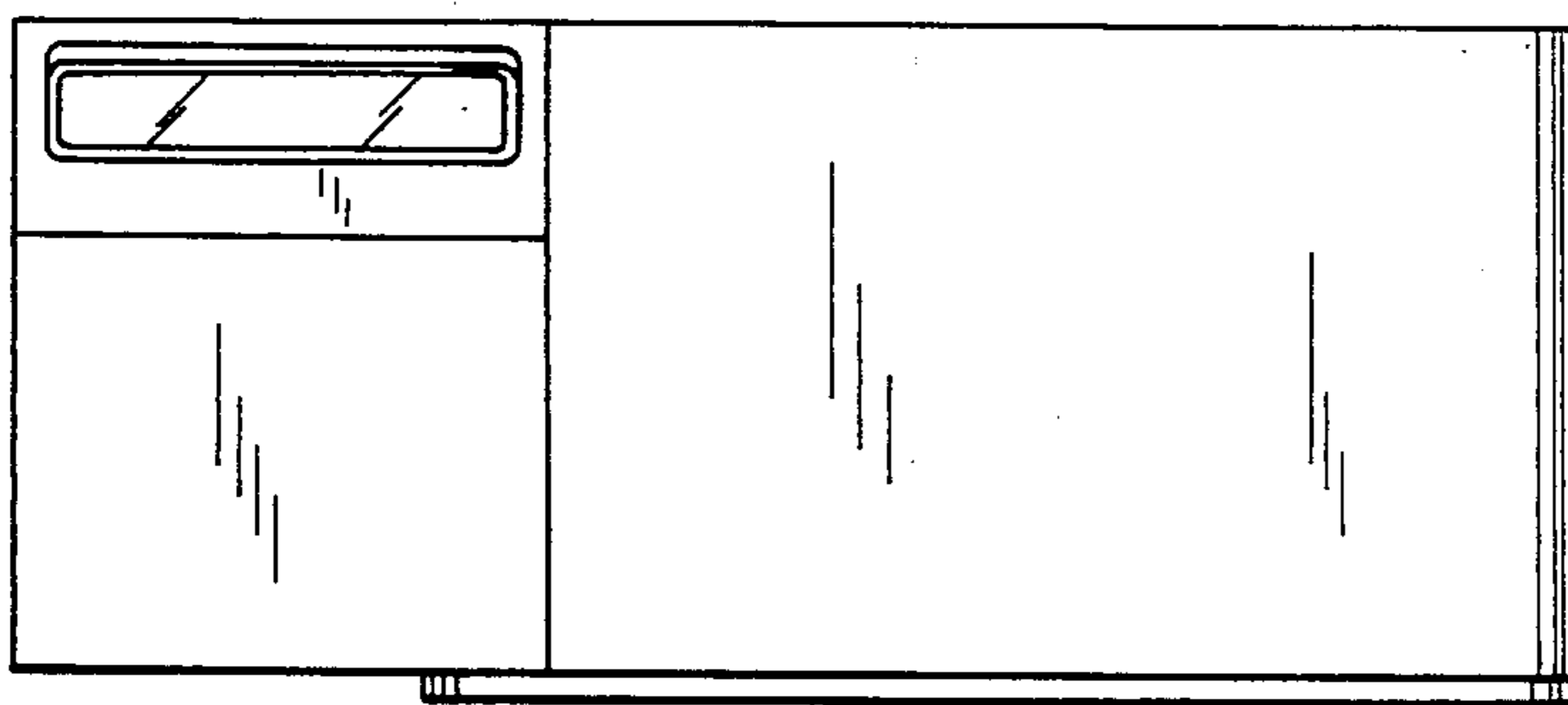




*FIG. 1*

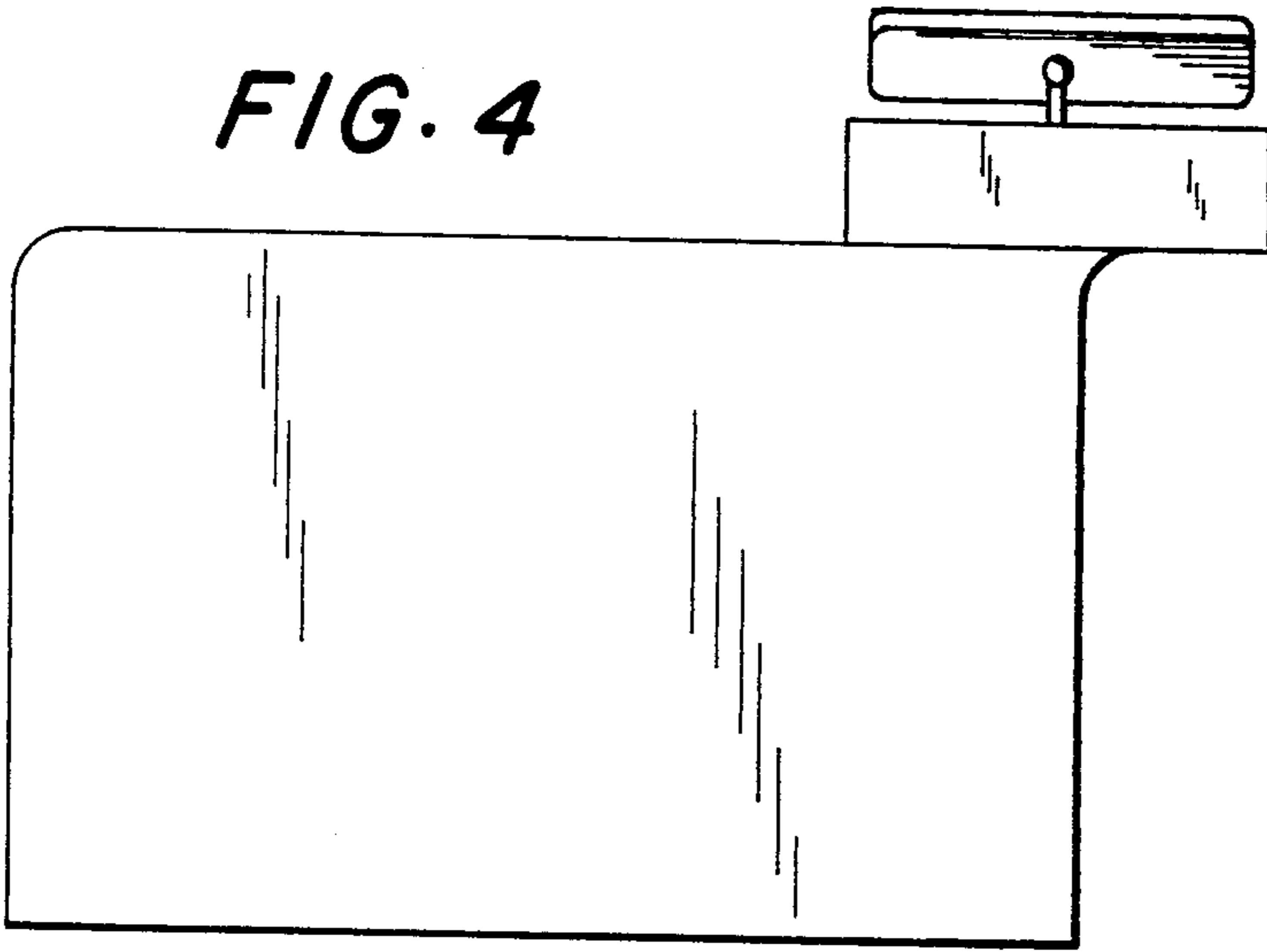


*FIG. 2*



*FIG. 3*

**FIG. 4**



**FIG. 5**

