

[54] DISPLAY UNIT

[75] Inventor: John J. Scalice, New York, N.Y.

[73] Assignee: Revlon, Inc., New York, N.Y.

[**] Term: 14 Years

[21] Appl. No.: 968,000

[22] Filed: Dec. 11, 1978

[51] Int. Cl. D20-02

[52] U.S. Cl. D6/157; D6/85; D6/134; D6/186

[58] Field of Search D6/85, 157, 181, 184, D6/186, 188-190, 134; 211/13, 126, 128, 129, 131, 133, 134, 135; 108/28-31, 59, 92, 94, 150

[56] References Cited

U.S. PATENT DOCUMENTS

- D. 188,399 7/1960 Link D6/85
- D. 201,480 6/1965 Faber D6/85

- D. 221,236 7/1971 Fowler D6/85
- D. 233,294 10/1974 Goulder D6/186
- D. 241,994 10/1976 Shaner et al. D6/85
- D. 249,618 9/1978 Oxenhandler D6/186

OTHER PUBLICATIONS

Architectural Forum, 11/1953, p. 171, Display Fixture (middle row, 2nd from left).

Primary Examiner—B. J. Bullock

Attorney, Agent, or Firm—Leon E. Tenenbaum

[57] CLAIM

The ornamental design for a display unit, as shown and described.

DESCRIPTION

FIG. 1 is an isometric view of the display unit showing my new design;

FIG. 2 is a front elevational view thereof;

FIG. 3 is a rear elevational view thereof; and

FIG. 4 is a side elevational view taken from the right of FIG. 1.

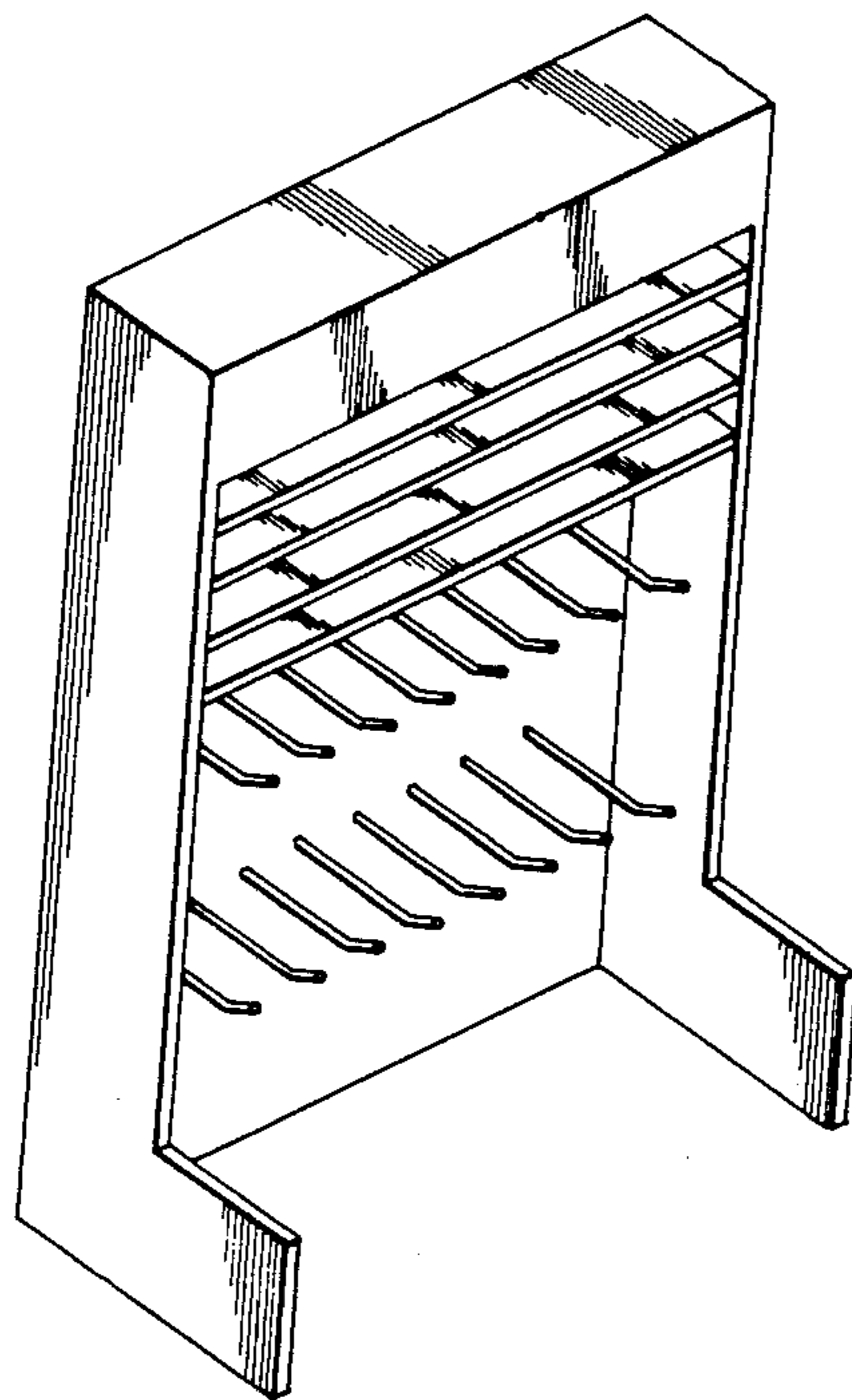


FIG. 1

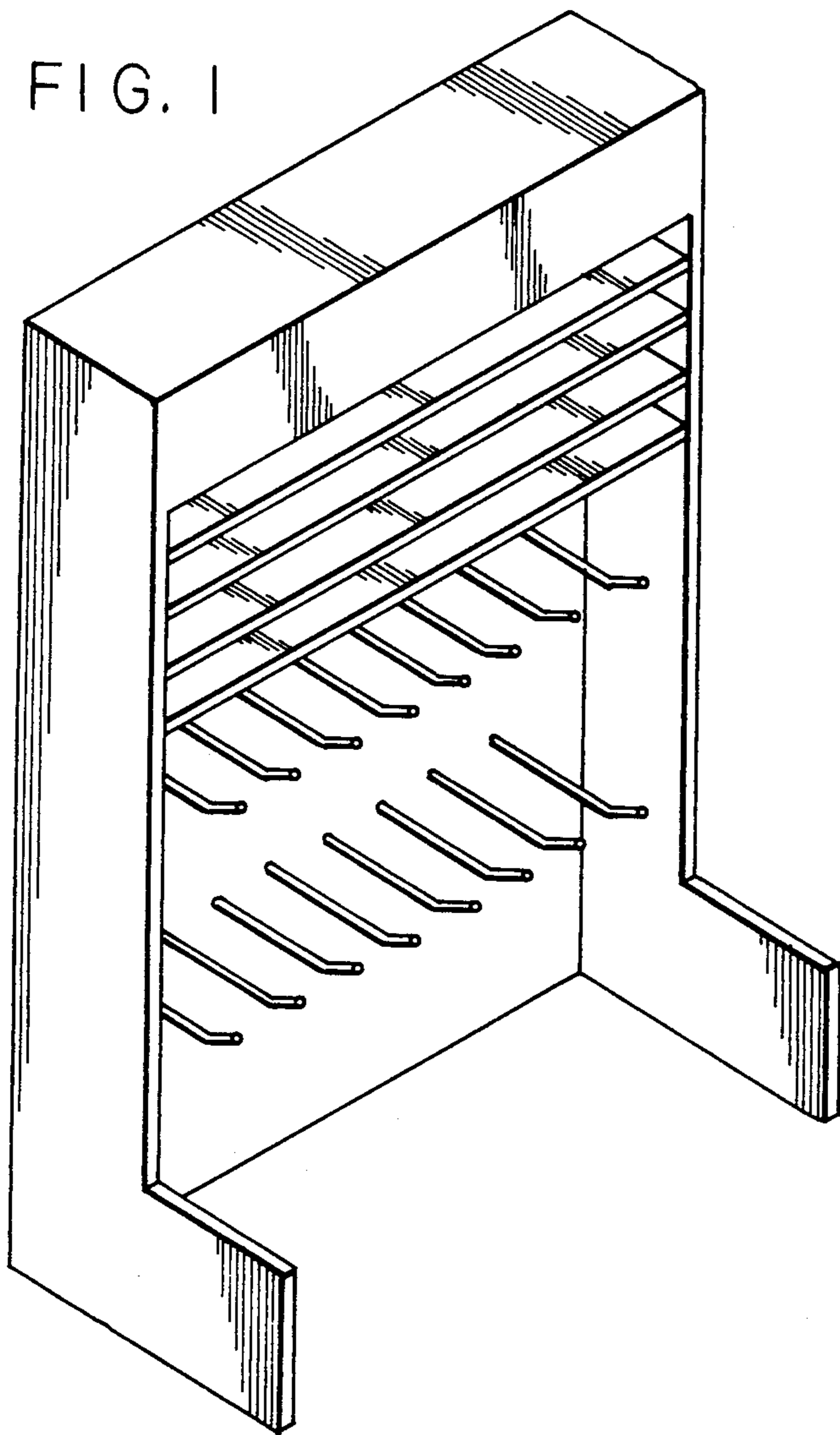


FIG. 2

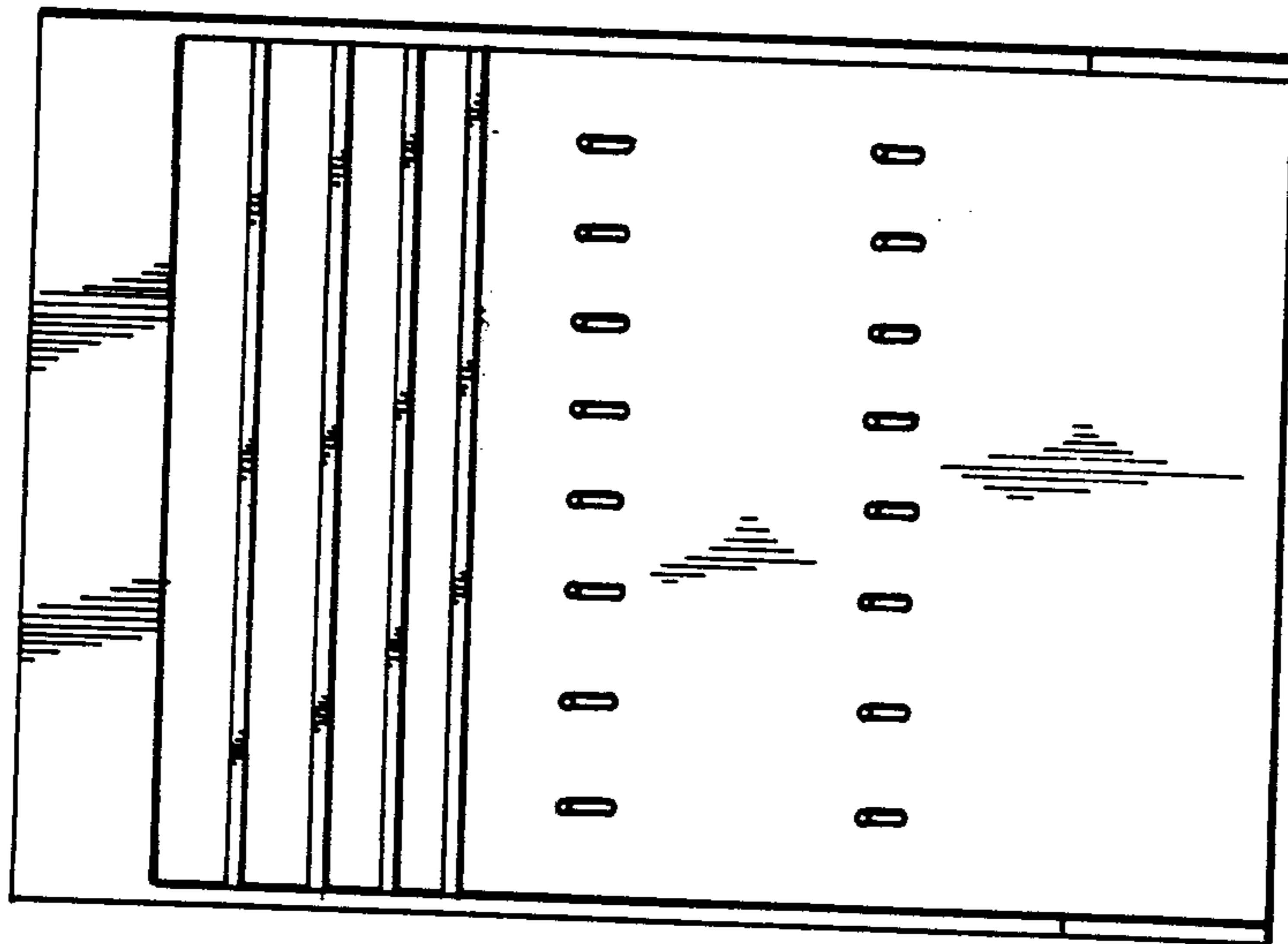


FIG. 3

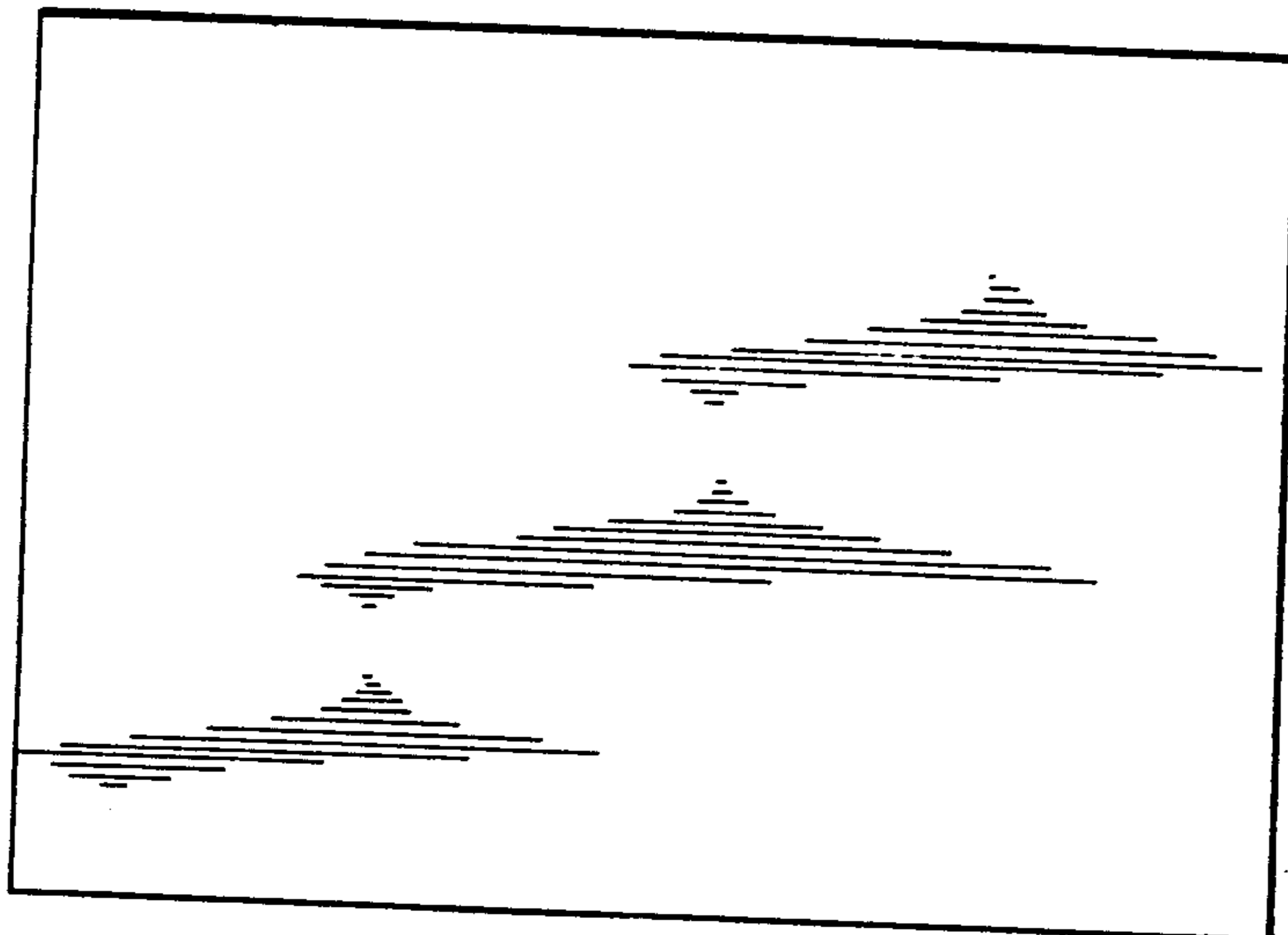


FIG. 4

