

[54] COMB

[76] Inventor: Loyal E. Williams, 20817 SW. Alexander, Aloha, Oreg. 97005

[**] Term: 14 Years

[21] Appl. No.: 72,338

[22] Filed: Sep. 4, 1979

[51] Int. Cl. D28-03

[52] U.S. Cl. D28/22; D28/31

[58] Field of Search D28/21, 22, 25, 30-32, D28/34; 132/11 R, 103, 143, 148-150, 159, DIG. 1, 112-116; D11/157

[56] **References Cited**

U.S. PATENT DOCUMENTS

D. 225,474 12/1972 Brooks D28/25

D. 229,984 1/1974 Brooks D28/25
D. 248,936 8/1978 Lohan D11/157
4,013,086 3/1977 Chmela D28/30 X

Primary Examiner—Louis S. Zarfaz
Attorney, Agent, or Firm—Morris A. Case

[57] **CLAIM**

The ornamental design for a comb, as shown and described.

DESCRIPTION

FIG. 1 is a perspective view of a comb showing my new design;

FIG. 2 is a right side elevational view thereof;

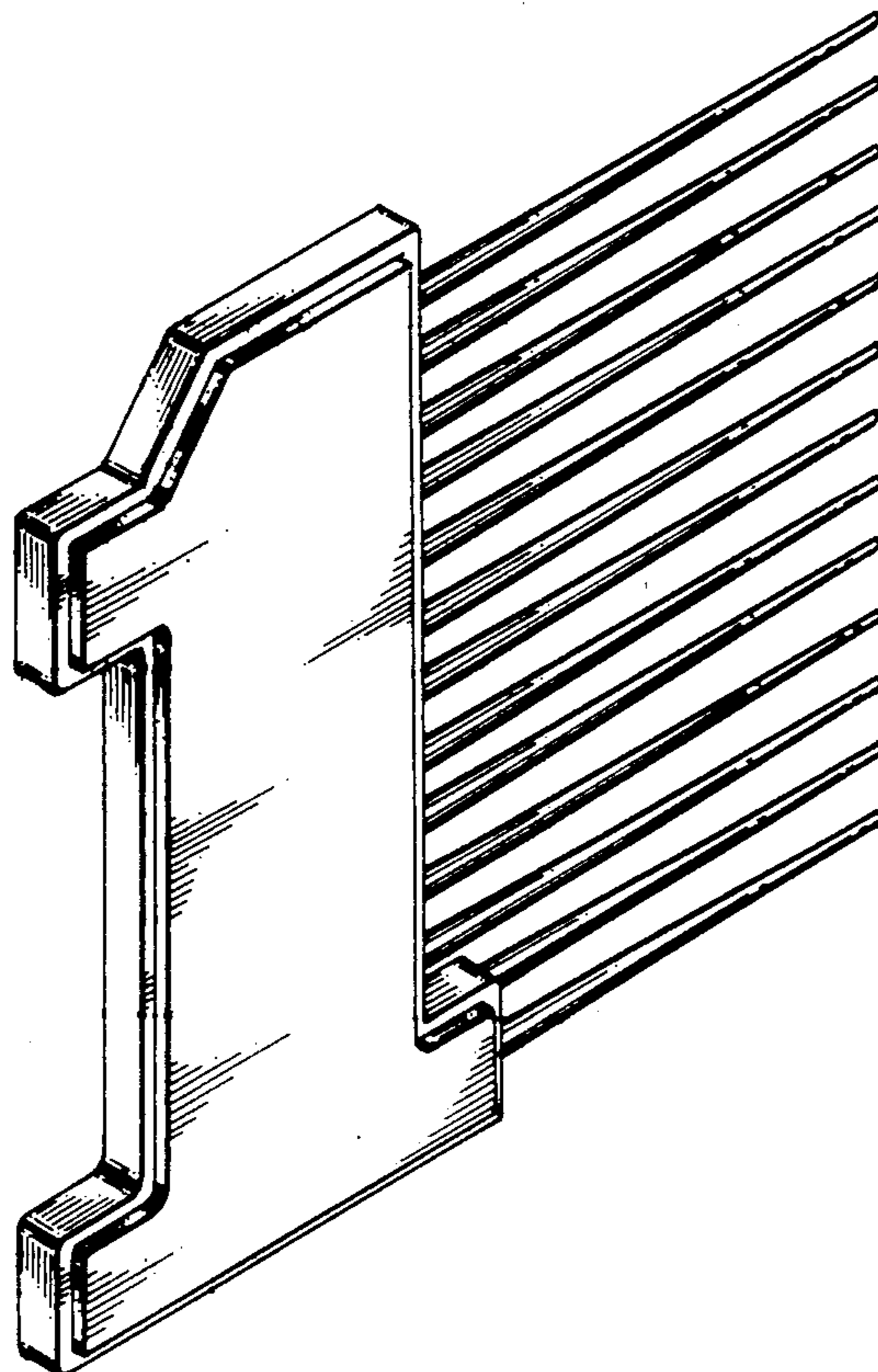
FIG. 3 is a top plan view thereof;

FIG. 4 is a bottom plan view thereof;

FIG. 5 is a front elevational view thereof;

FIG. 6 is a rear elevational view thereof; and

FIG. 7 is a left side elevational view thereof.



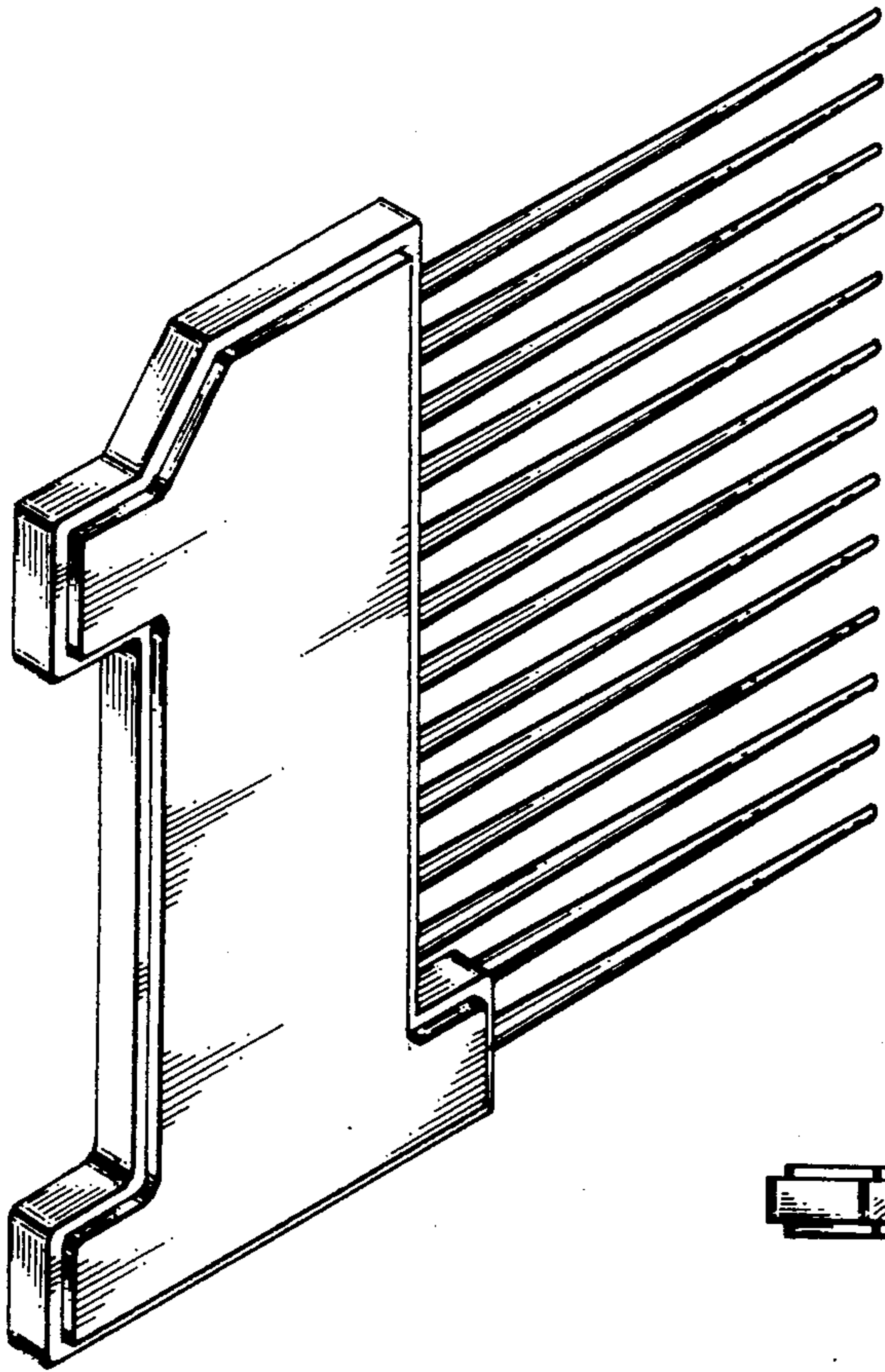


Fig. 1

Fig. 3



Fig. 2

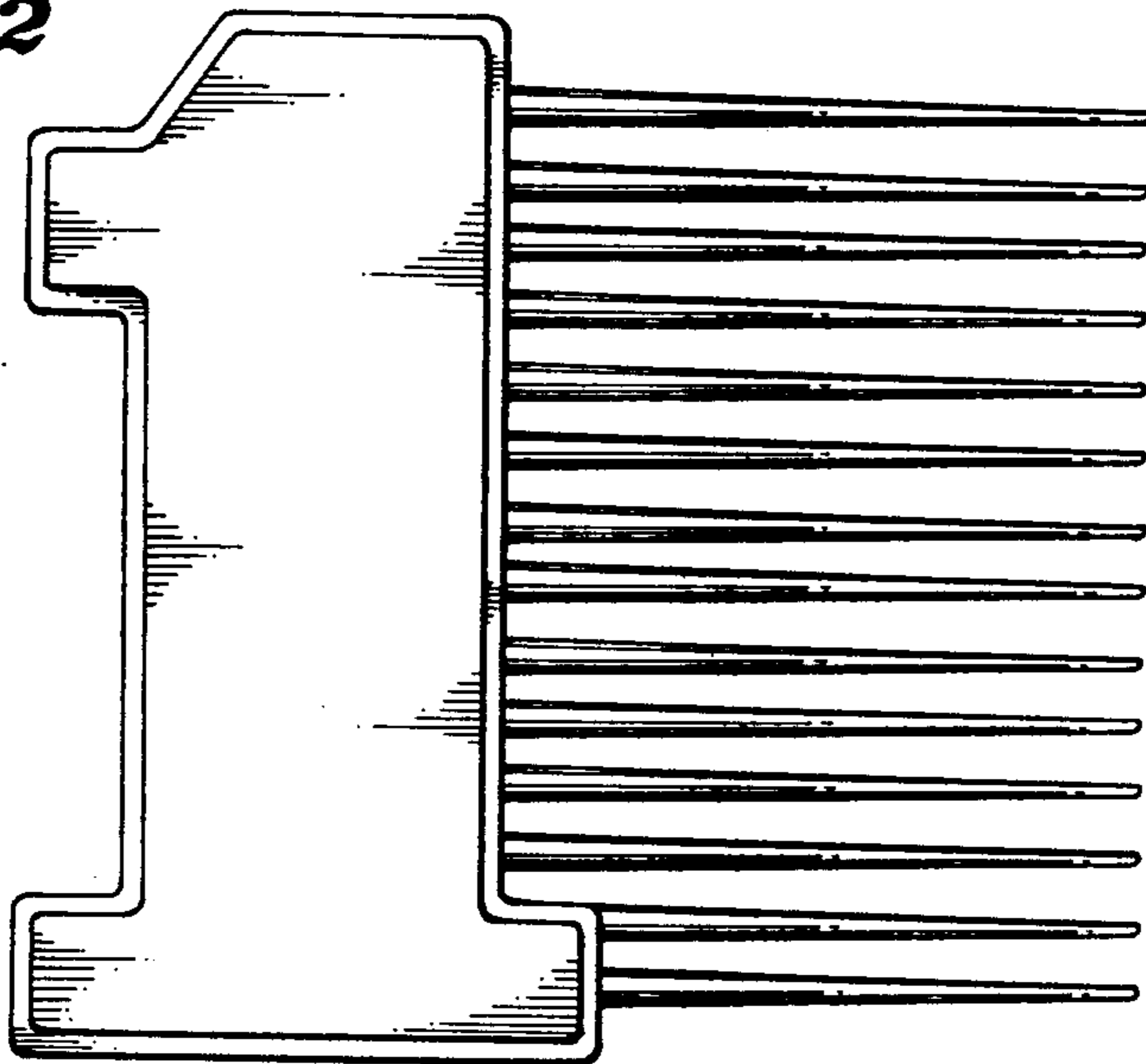


Fig. 4





Fig. 5

Fig. 6

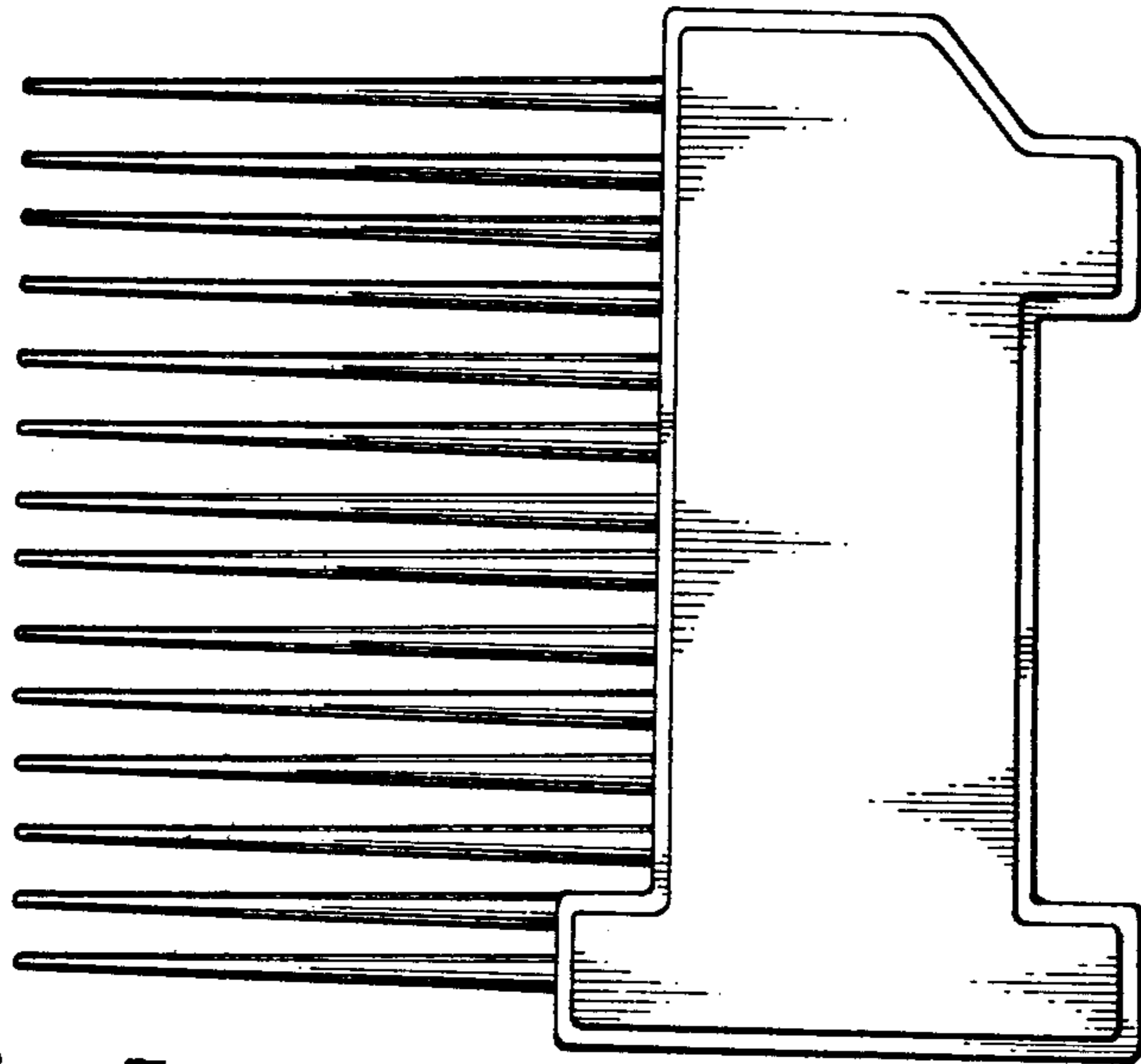


Fig. 7