

[54] COMB

[76] Inventor: Loyal E. Williams, 20817 SW.
Alexander, Aloha, Oreg. 97005

[**] Term: 14 Years

[21] Appl. No.: 71,936

[22] Filed: Sep. 4, 1979

[51] Int. Cl. D28-03

[52] U.S. Cl. D28/22; D28/31

[58] Field of Search D28/21, 22, 25, 30,
D28/31, 34, 23; 132/11 R, 113, 122, 148-150,
DIG. 1

[56] References Cited

U.S. PATENT DOCUMENTS

D. 226,876 5/1973 Morrow D28/23
D. 253,850 1/1980 Haselrig D28/25

1,858,790 5/1932 Schneider 132/150 X
2,249,267 7/1941 Berry 132/122 X
3,394,714 7/1968 Kirwan 132/11 R
3,646,945 3/1972 Romani 132/11 R

Primary Examiner—Louis S. Zarfes
Attorney, Agent, or Firm—Morris A. Case

[57] CLAIM

The ornamental design for a comb, as shown and described.

DESCRIPTION

FIG. 1 is a perspective view of a comb showing my new design;
FIG. 2 is a right side elevational view thereof;
FIG. 3 is a top plan view thereof;
FIG. 4 is a bottom plan view thereof;
FIG. 5 is a front elevational view thereof;
FIG. 6 is a rear elevational view thereof; and
FIG. 7 is a left side elevational view thereof.

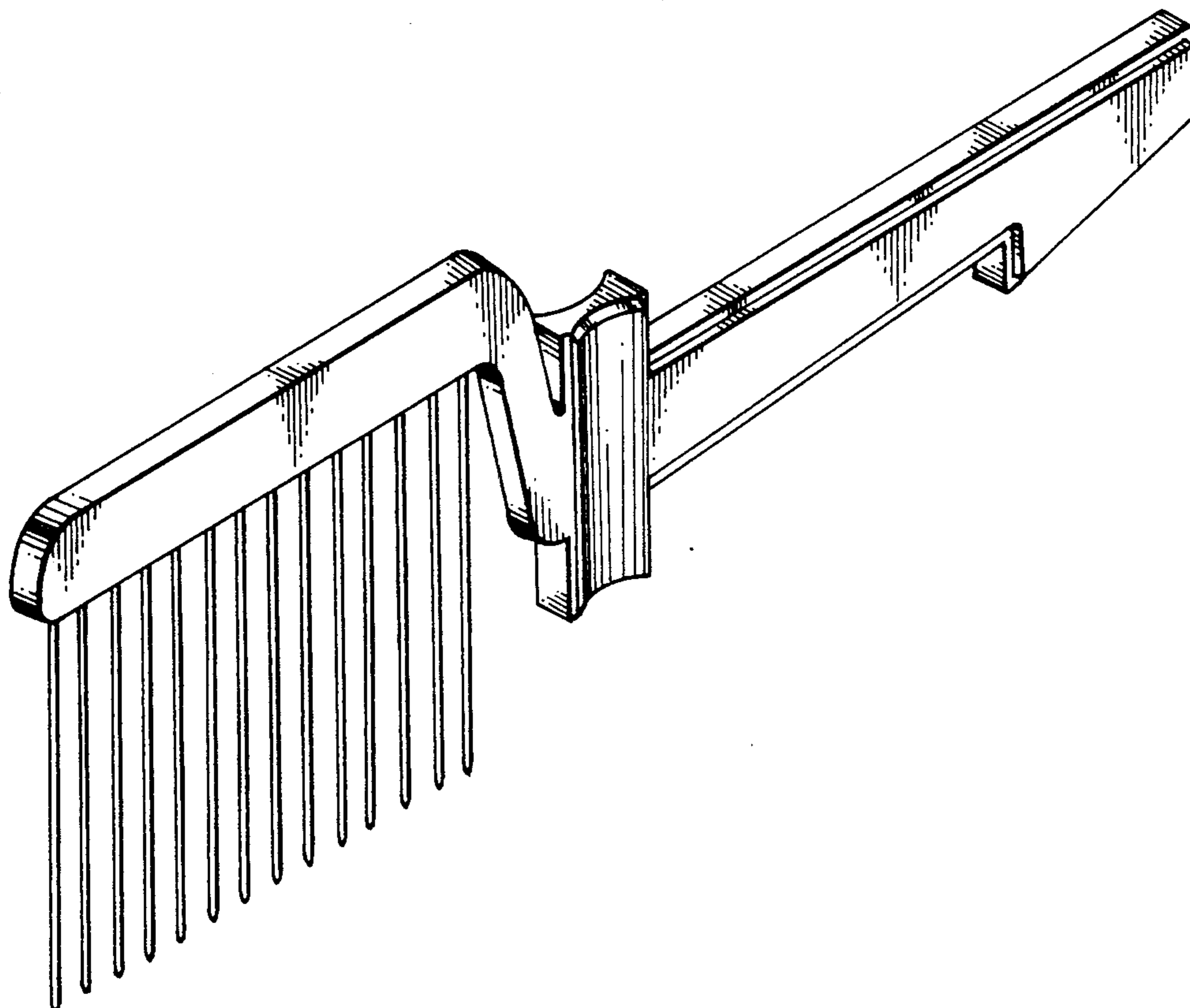


Fig. 1

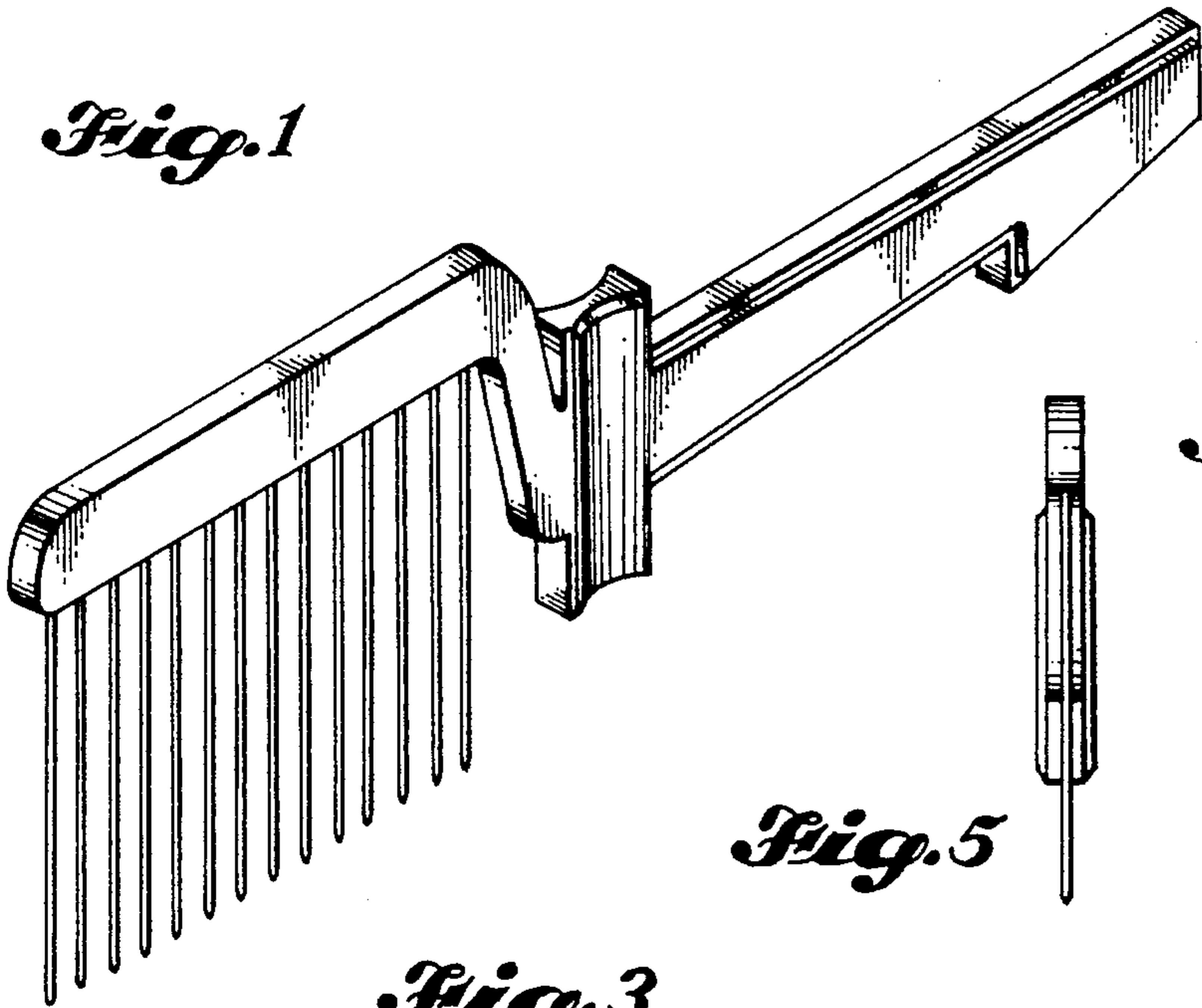


Fig. 6

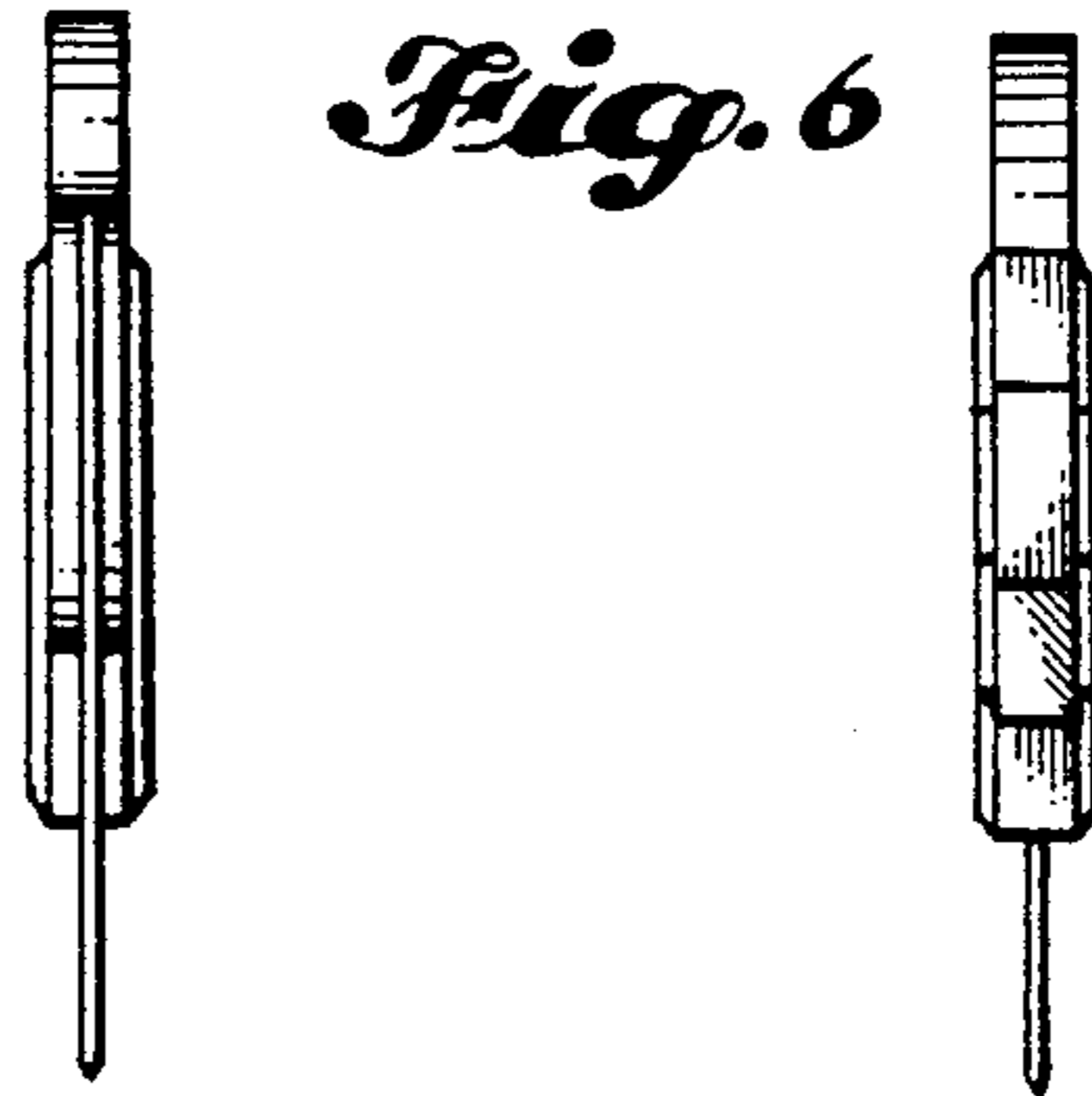


Fig. 5

Fig. 3



Fig. 2

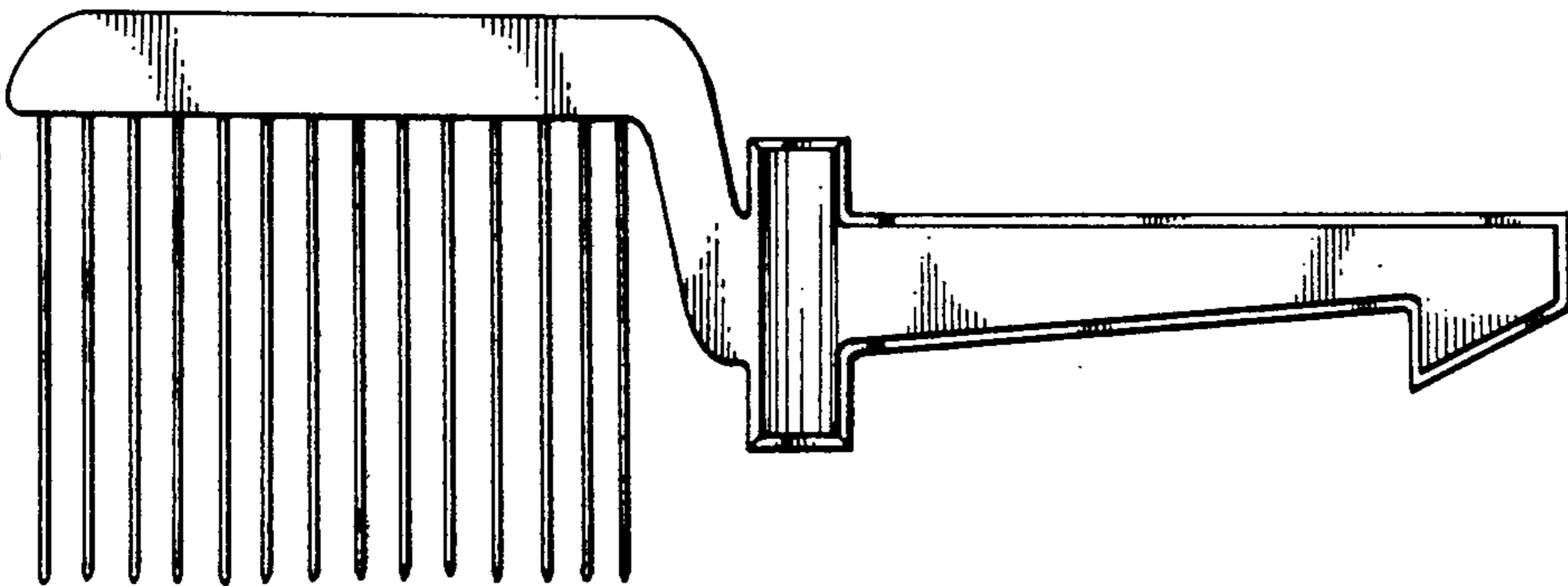


Fig. 4



Fig. 7

