

[54] HAIR DRYER

[75] Inventor: Morison S. Cousins, New York, N.Y.

[73] Assignee: The Gillette Company, Boston, Mass.

[**] Term: 14 Years

[21] Appl. No.: 43,883

[22] Filed: May 30, 1979

[51] Int. Cl. D28-03

[52] U.S. Cl. D28/13

[58] Field of Search D28/9, 10, 12-18;
219/222; 132/7, 9; 34/96-98

[56] References Cited

U.S. PATENT DOCUMENTS

3,397,463 8/1968 Laing 34/97
3,970,093 7/1976 Lardenois 34/97 X

FOREIGN PATENT DOCUMENTS

647291 12/1950 United Kingdom D28/13

OTHER PUBLICATIONS

Form, Jan. 1976, p. 79-Dryer at top left.

Primary Examiner—Louis S. Zarfes
Attorney, Agent, or Firm—Richard A. Wise; Raymond J. De Vellis

[57] CLAIM

The ornamental design for a hair dryer, as shown and described.

DESCRIPTION

FIG. 1 is a perspective view of a hair dryer showing my new design;

FIG. 2 is a left end elevational view thereof;

FIG. 3 is a rear elevational view thereof;

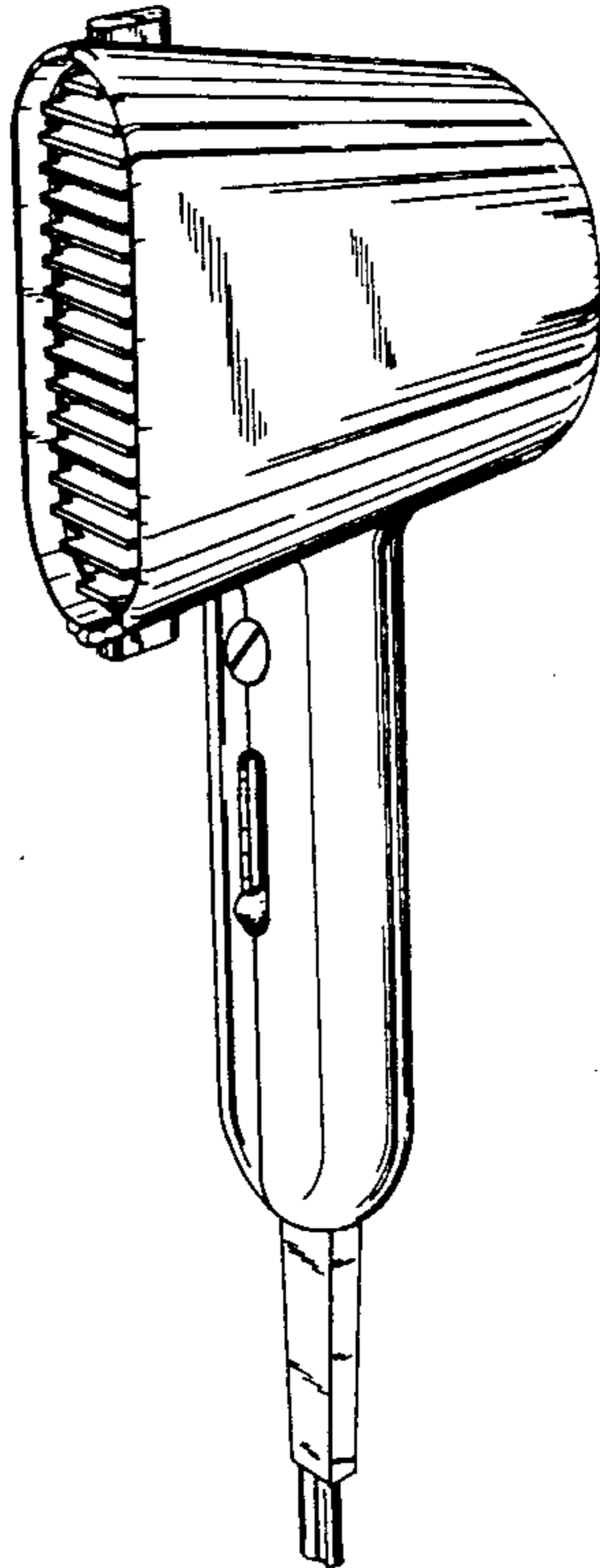
FIG. 4 is a right end elevational view thereof;

FIG. 5 is a top plan view thereof;

FIG. 6 is a bottom plan view thereof; and

FIG. 7 is a front elevational view thereof.

The cord is depicted only partially for convenience of illustration.



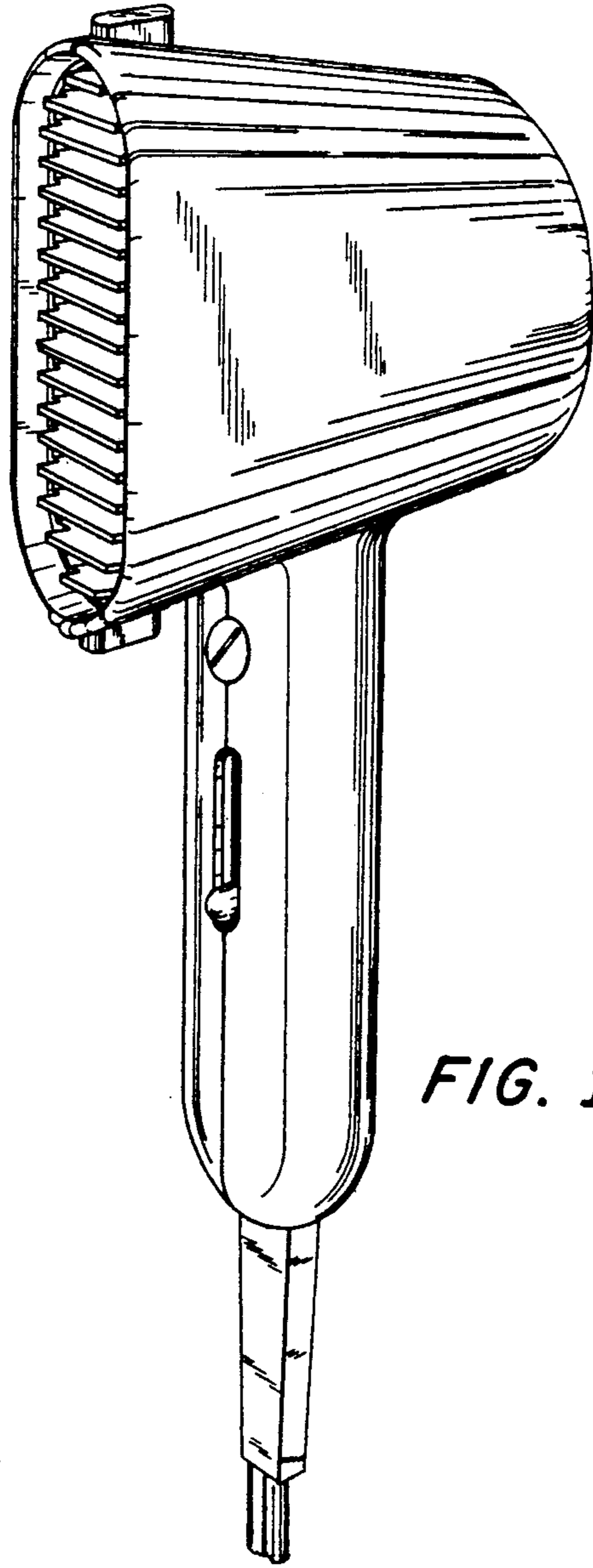


FIG. 1

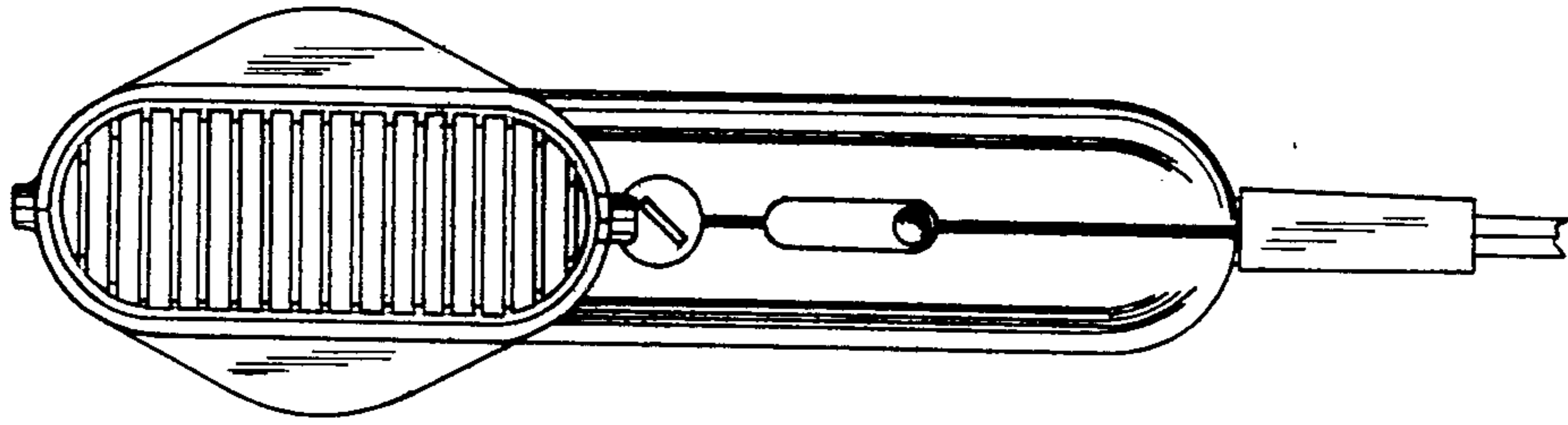


FIG. 3

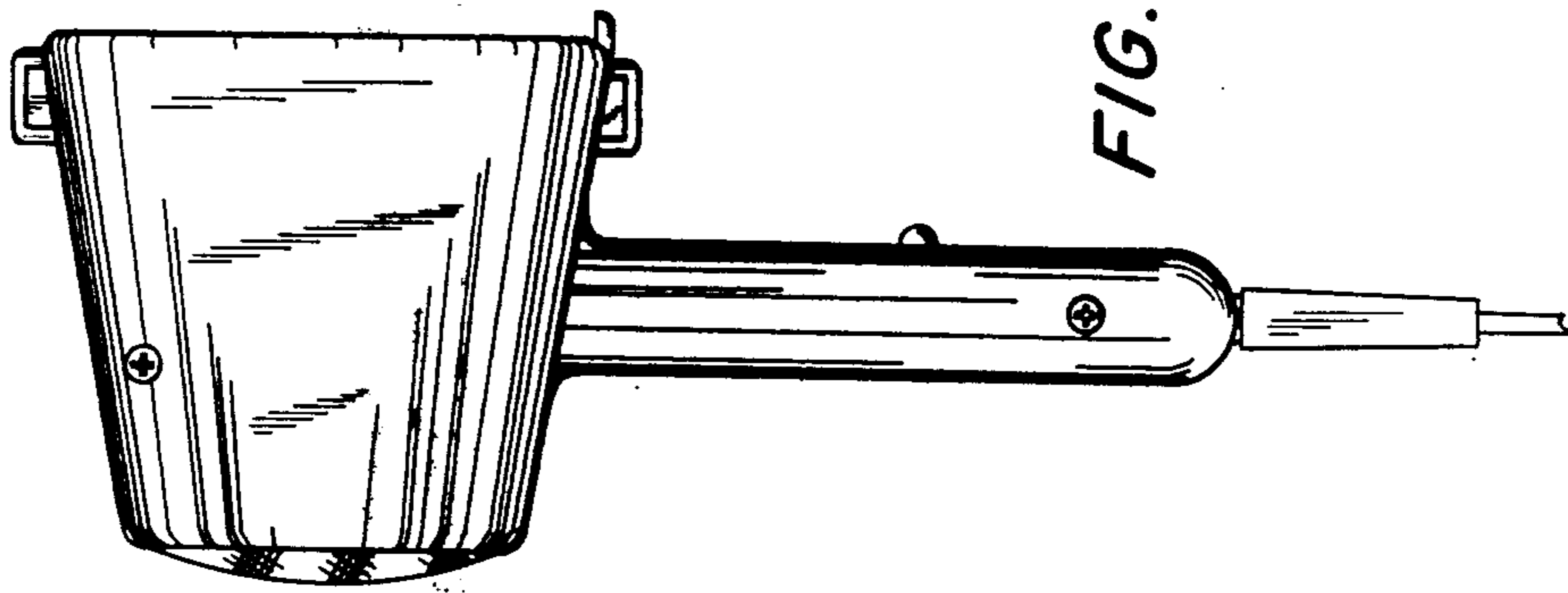


FIG. 2

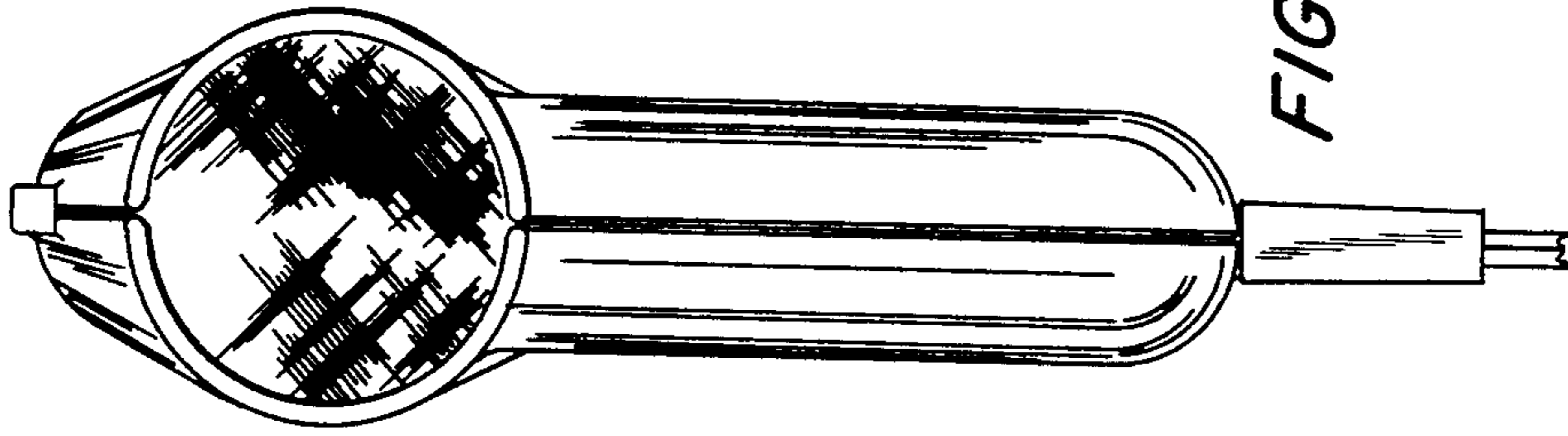


FIG. 7

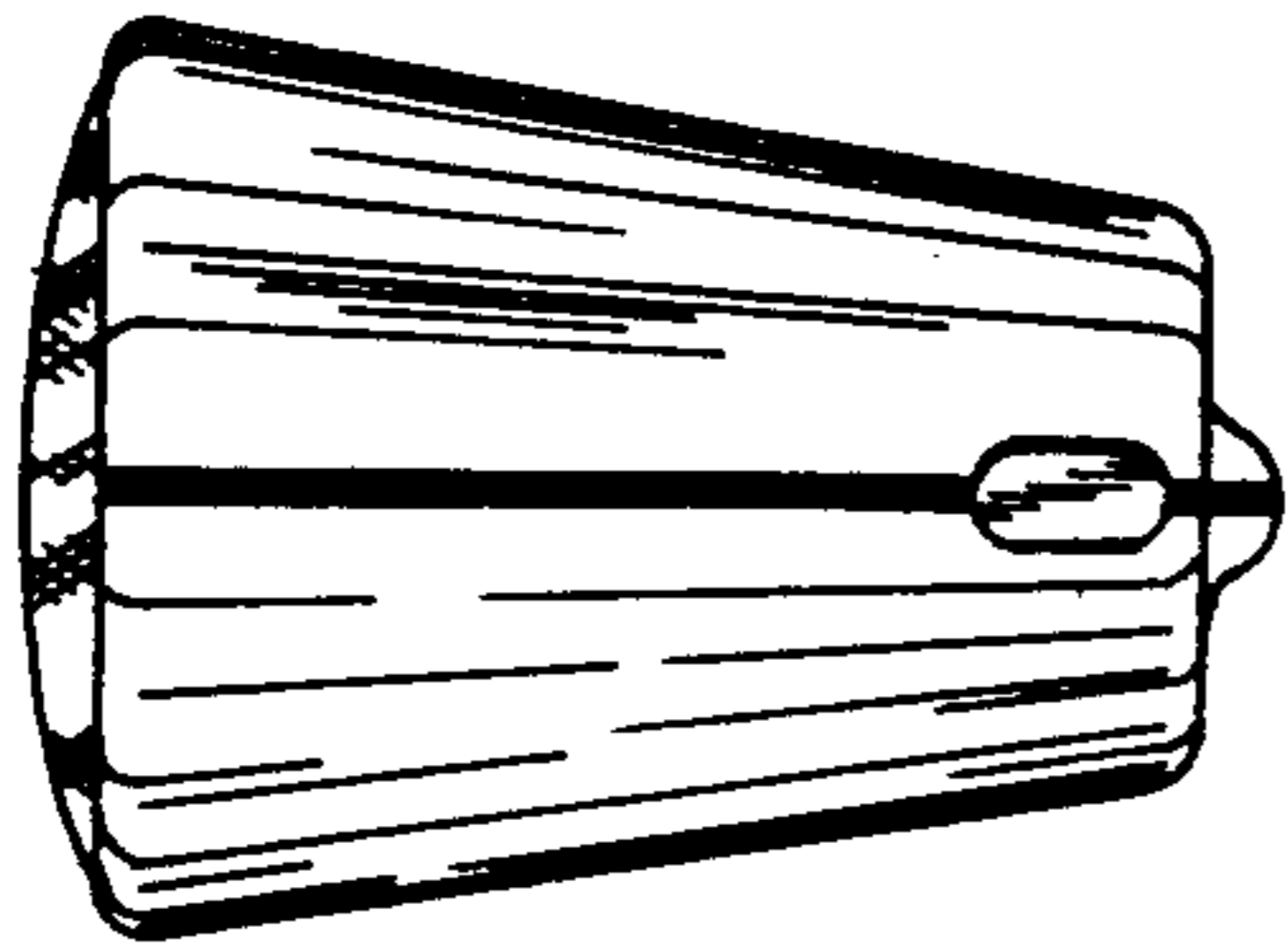


FIG. 5

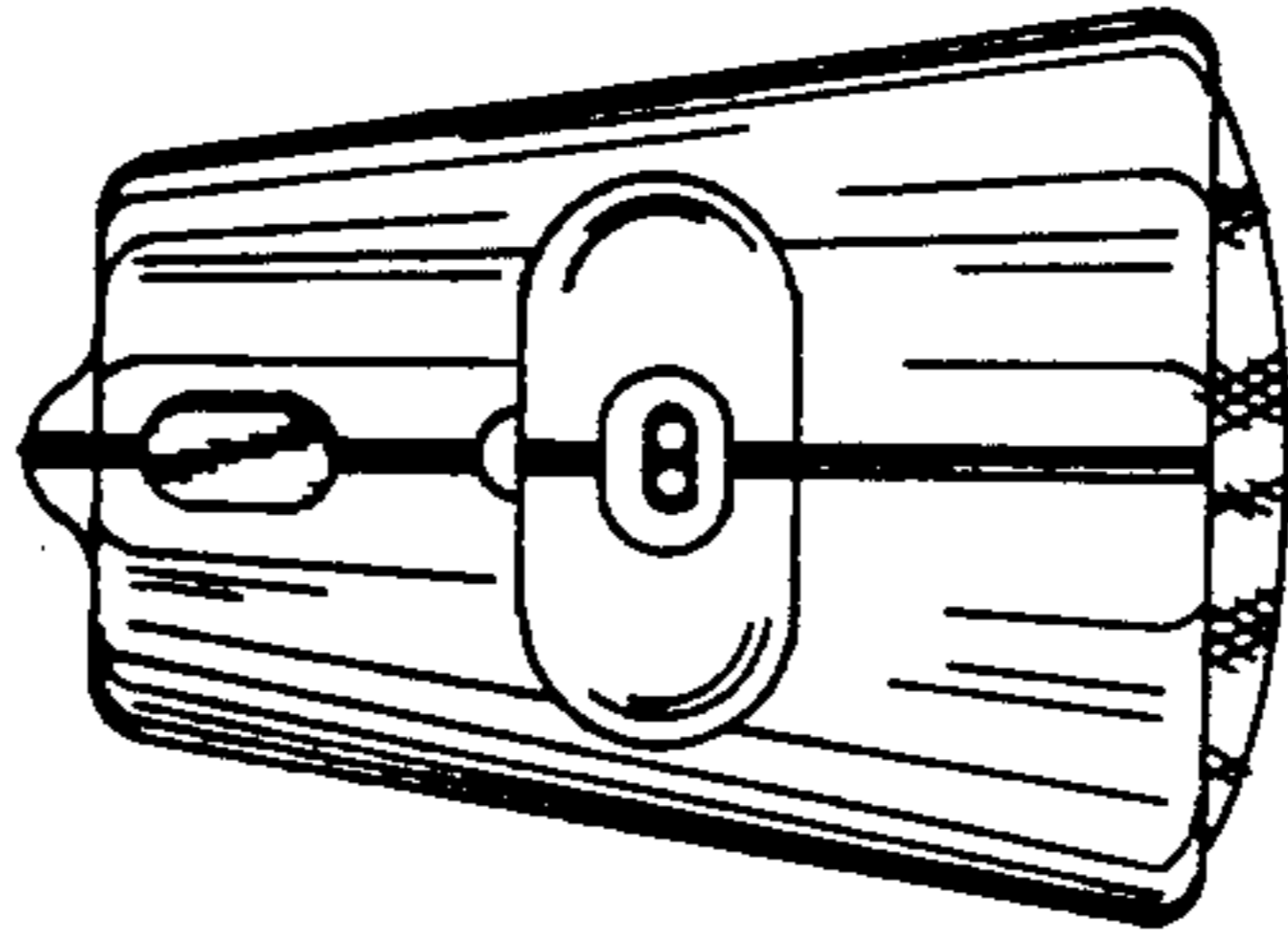


FIG. 6

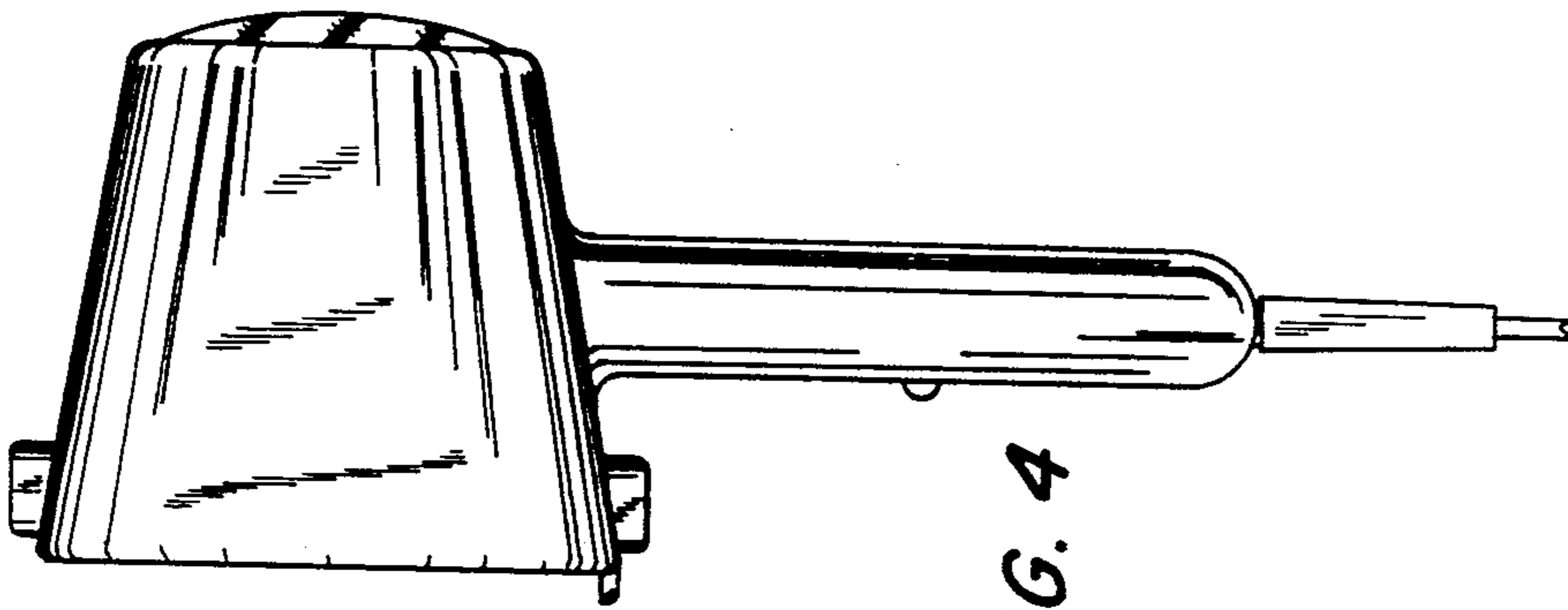


FIG. 4