

[54] POOL COVER ROLLER

[76] Inventor: Graziano Sovernigo, 1418 Chartwell Dr., West Vancouver, British Columbia, Canada

[**] Term: 14 Years

[21] Appl. No.: 65,594

[22] Filed: Aug. 10, 1979

[51] Int. Cl. D25-99

[52] U.S. Cl. D25/2

[58] Field of Search 4/502; 52/2; D25/2; D12/58

[56] References Cited

U.S. PATENT DOCUMENTS

2,958,083	11/1960	Shook et al.	D25/2 X
3,466,685	9/1969	Robinsky	52/2 X
3,574,979	4/1971	Chan	52/2
4,195,370	4/1980	Budd	4/502

Primary Examiner—A. Hugo Word

Attorney, Agent, or Firm—Fetherstonhaugh & Co.

[57] CLAIM

The ornamental design for a pool cover roller, substantially as shown and described.

DESCRIPTION

FIG. 1 is an isometric view of a pool cover roller showing my new design;

FIG. 2 is a front elevation view of the pool cover roller of FIG. 1;

FIG. 3 is a rear elevational view of the pool cover roller of FIG. 1;

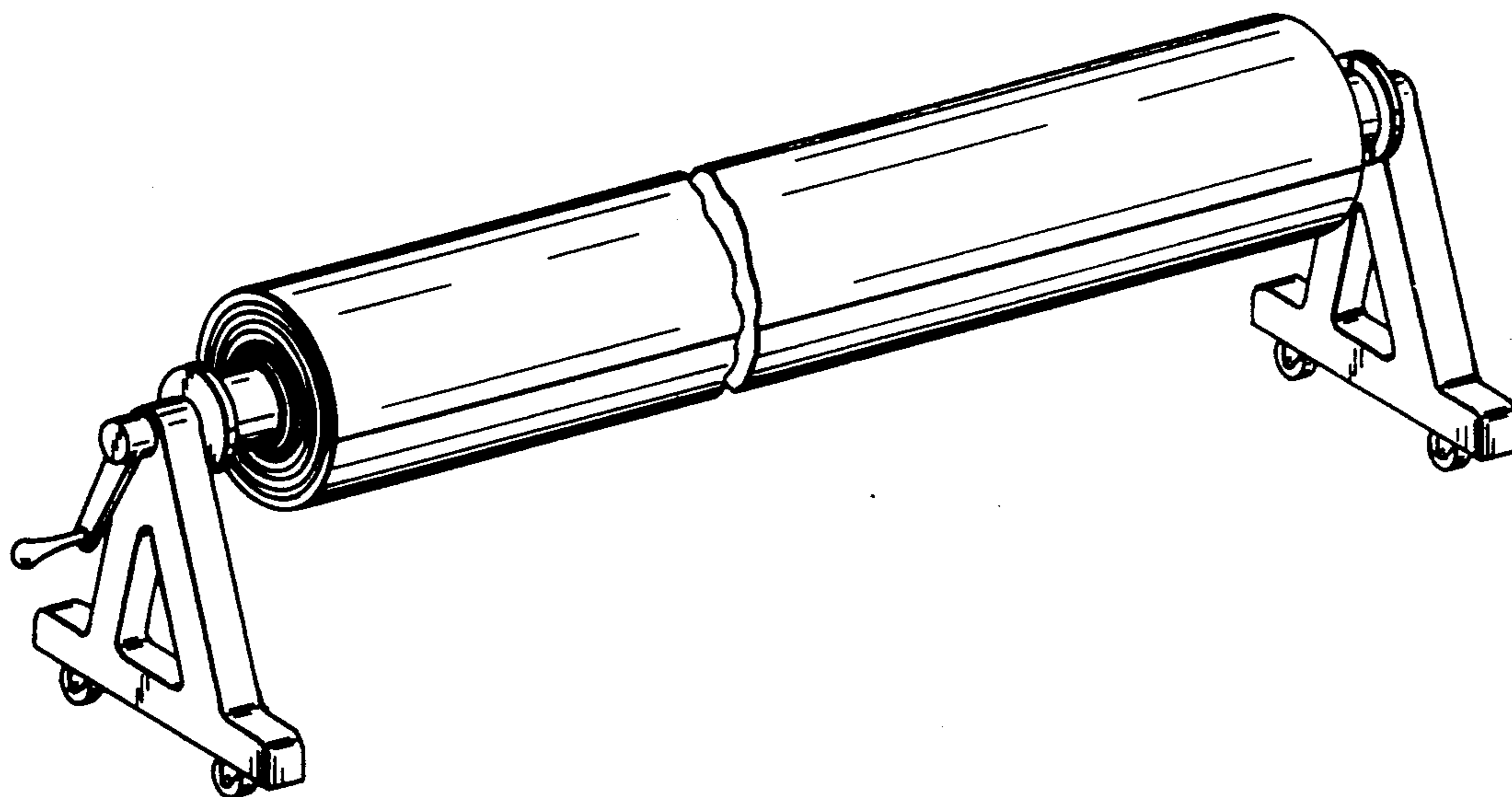
FIG. 4 is an elevational view showing one end of the pool cover roller of FIG. 1;

FIG. 5 is an elevational view showing the end opposite the one end of FIG. 4;

FIG. 6 is a top plan view of the pool cover roller of FIG. 1;

FIG. 7 is a bottom plan view of the pool cover roller of FIG. 1; and

FIG. 8 is an isometric view showing a modified form of the pool cover roller of FIG. 1 having no wheels.



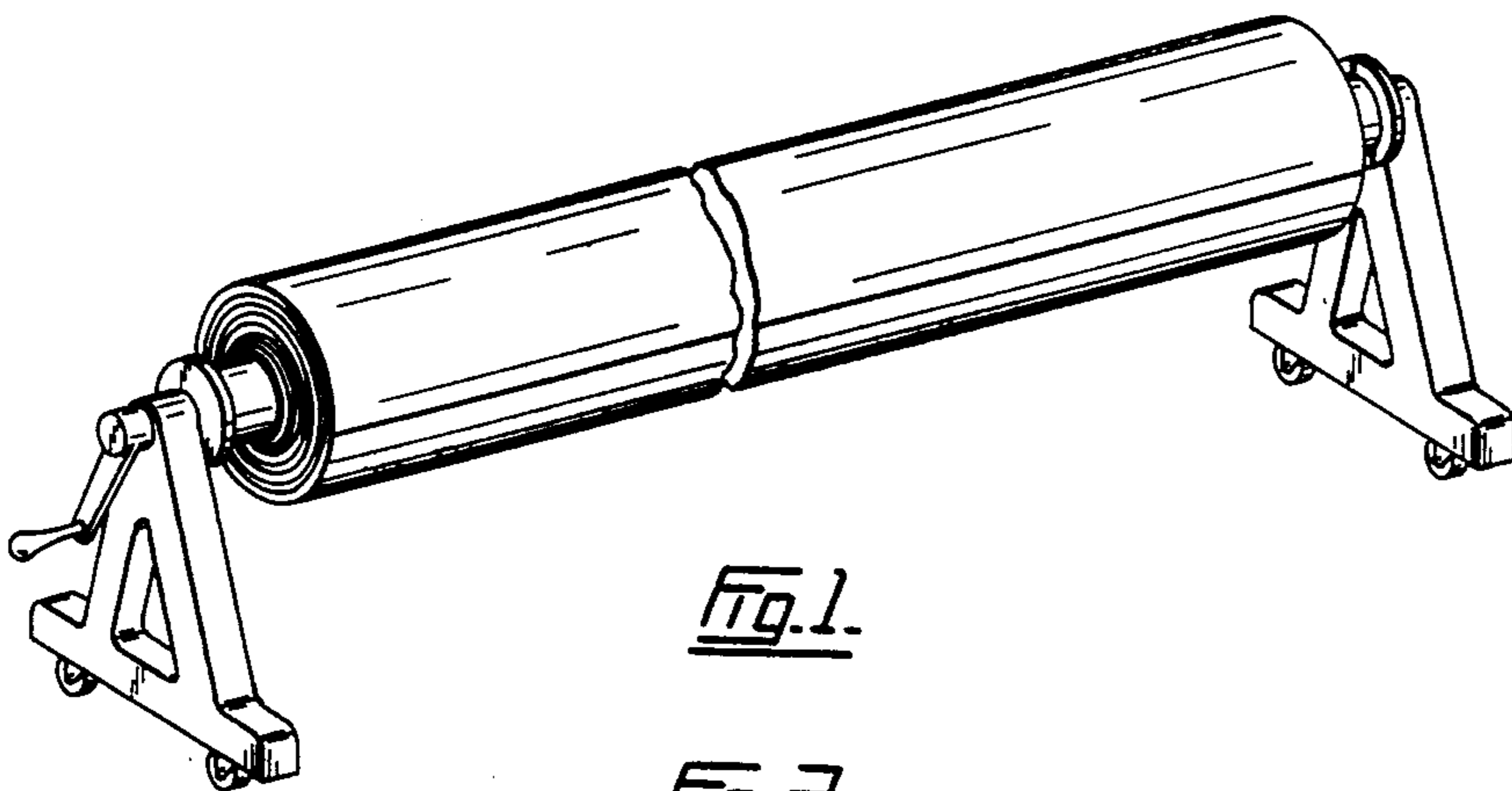


Fig. 1.

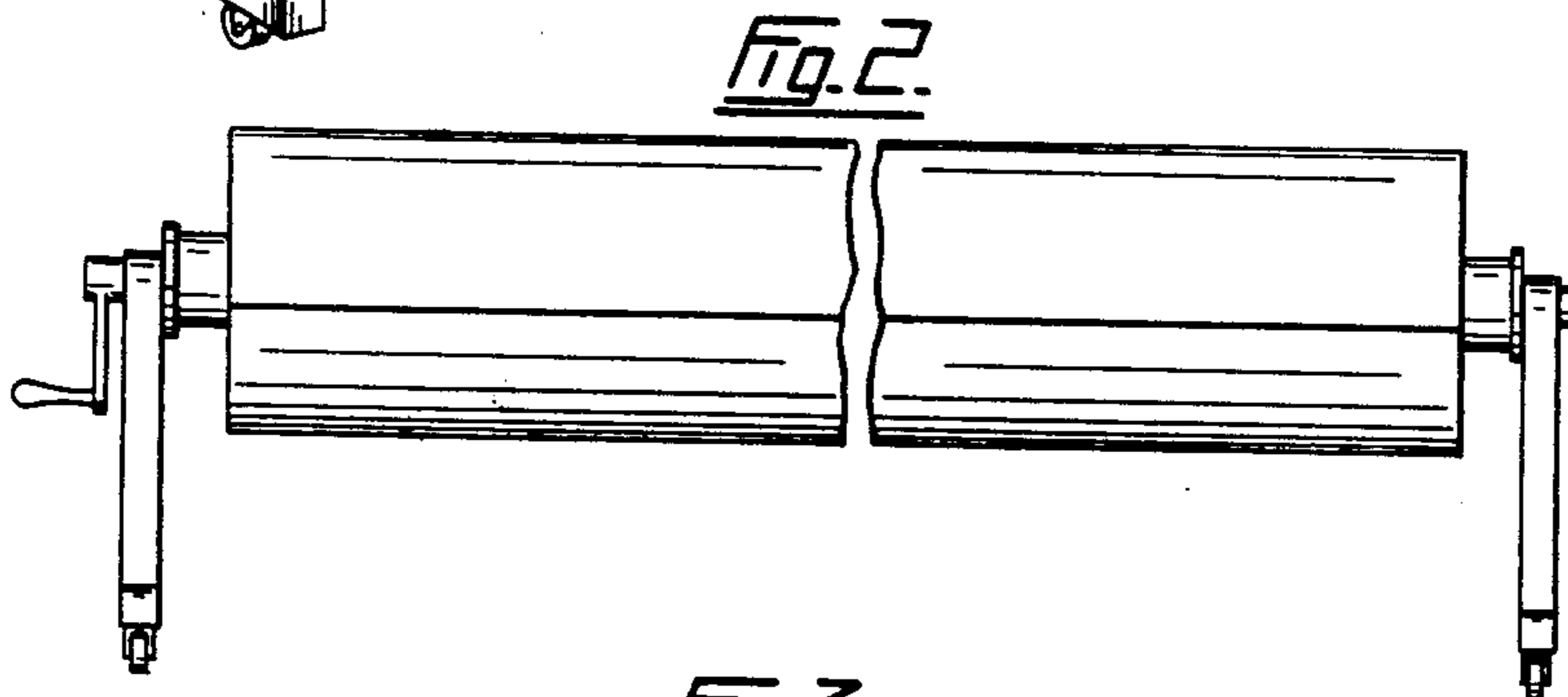


Fig. 2.

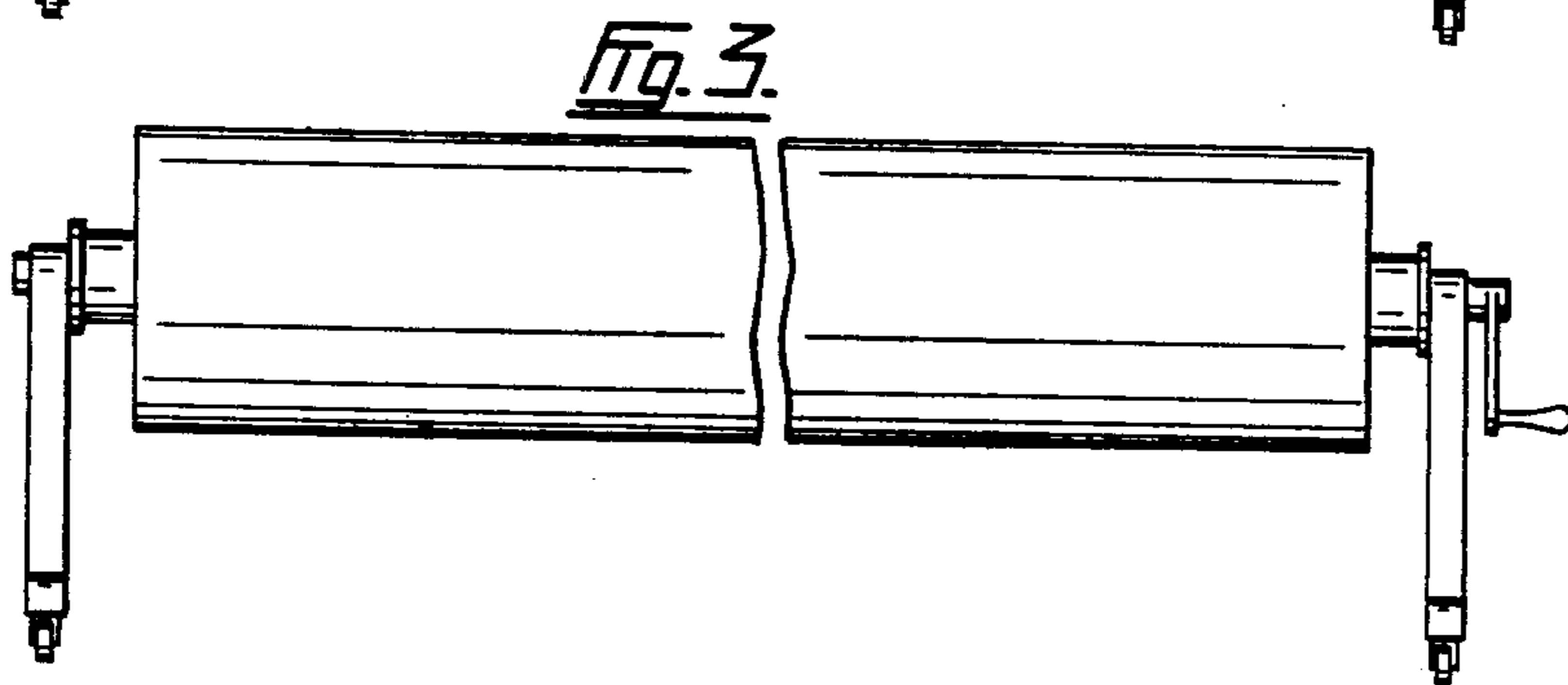


Fig. 3.

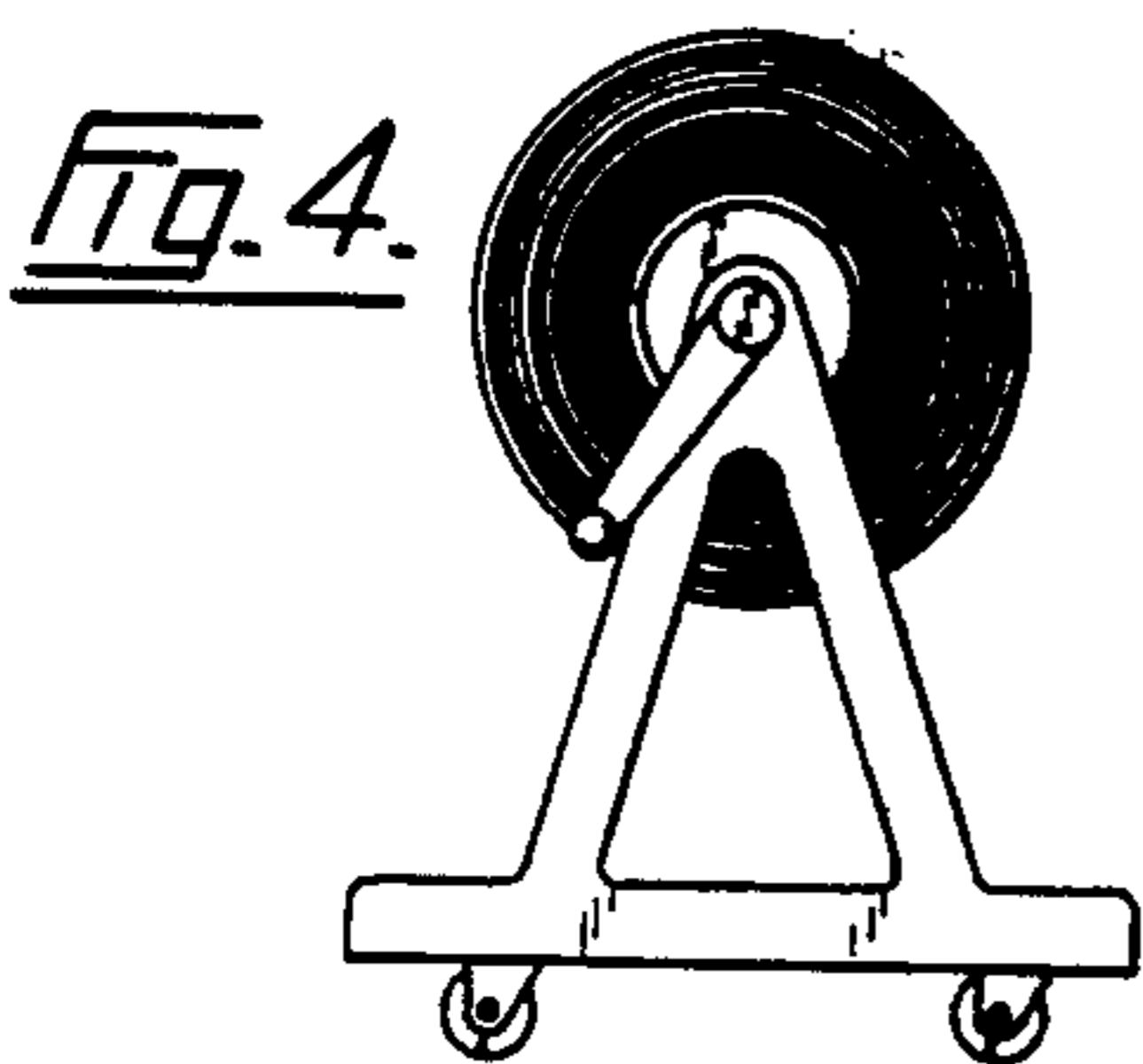


Fig. 4.

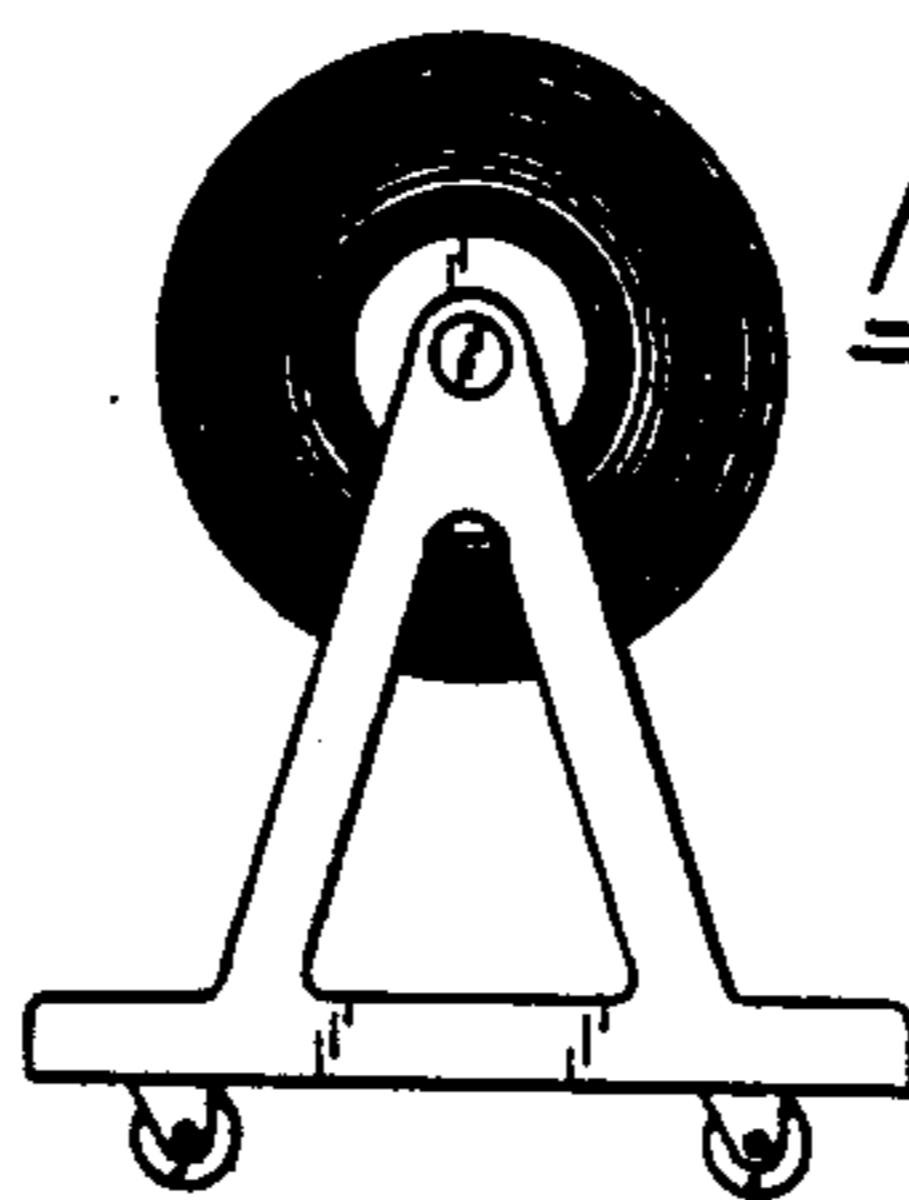


Fig. 5.

