

[54] ELECTRO-DESSICATOR HANDLE COVER

[56]

References Cited

U.S. PATENT DOCUMENTS

[76] Inventor: Patricia L. McGinnis, 7275 Columbus Dr., Anaheim Hills, Calif. 92807

D. 228,475 9/1973 Fishbein D24/28
D. 234,519 3/1975 Rynk D13/24
2,358,440 9/1944 Bowman D24/8

[**] Term: 14 Years

Primary Examiner—Veronica O’Keefe
Attorney, Agent, or Firm—Howard J. Klein

[21] Appl. No.: 12,231

[57] CLAIM

The ornamental design for an electro-dessicator handle cover, as shown.

[22] Filed: Feb. 14, 1979

DESCRIPTION

[51] Int. Cl. D24—99

[52] U.S. Cl. D24/17; D24/8;
D24/29; 128/132 R

[58] Field of Search D24/8, 17, 25, 29;
D13/24; 128/132 R, 303.14, 303.16, 303.17,
305.5, 333, 355

FIG. 1 is a perspective view of the lower front of the electro-dessicator handle cover;
FIG. 2 is a perspective view of the upper rear thereof;
FIG. 3 is a front elevational view thereof;
FIG. 4 is an end view showing the left side of FIG. 3;
FIG. 5 is an end view showing the right side of FIG. 3;
FIG. 6 is a top plan view of FIG. 3; and
FIG. 7 is a bottom plan view of FIG. 3.

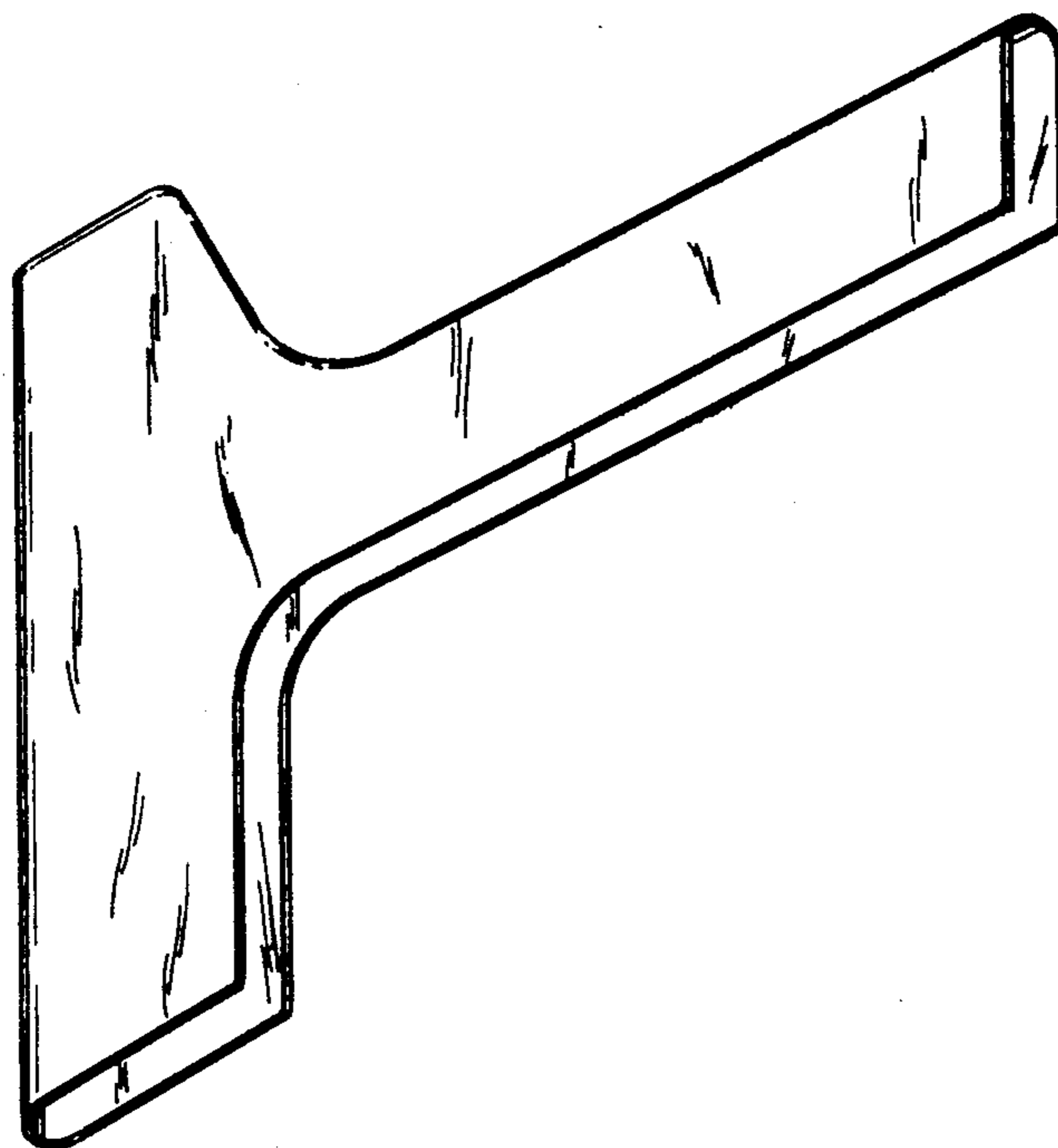


Fig. 1

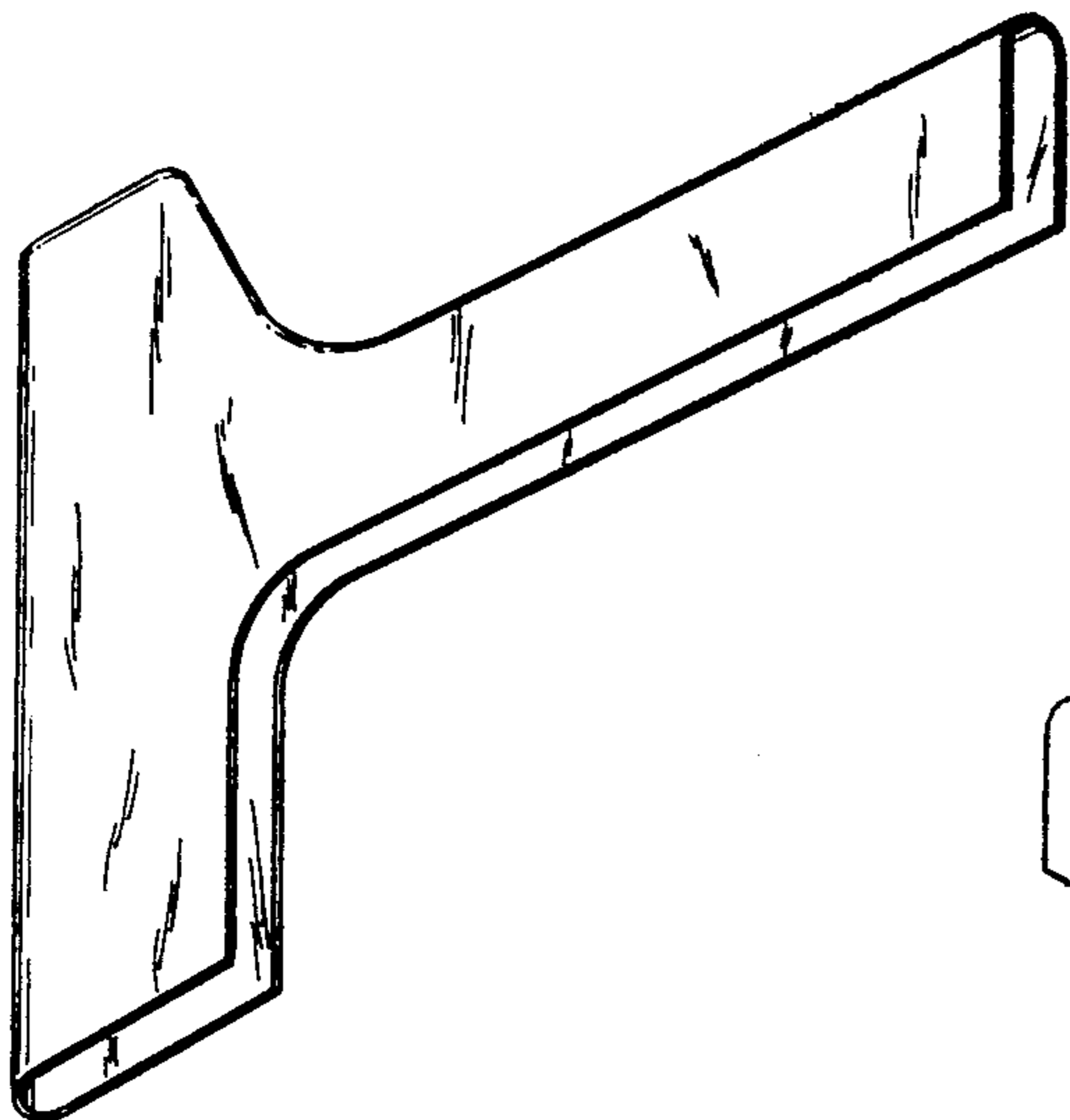


Fig. 2

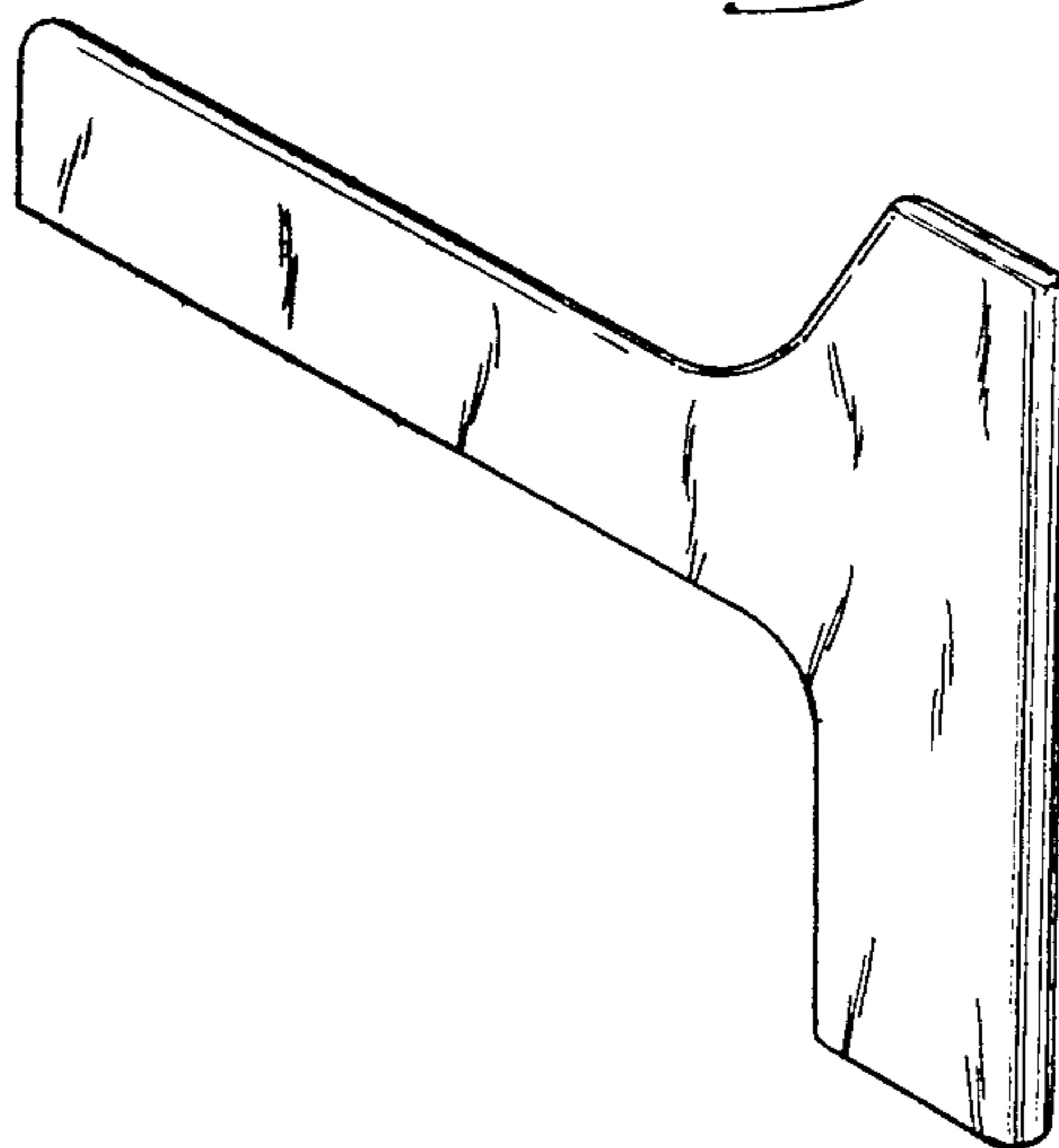


Fig. 6



Fig. 4

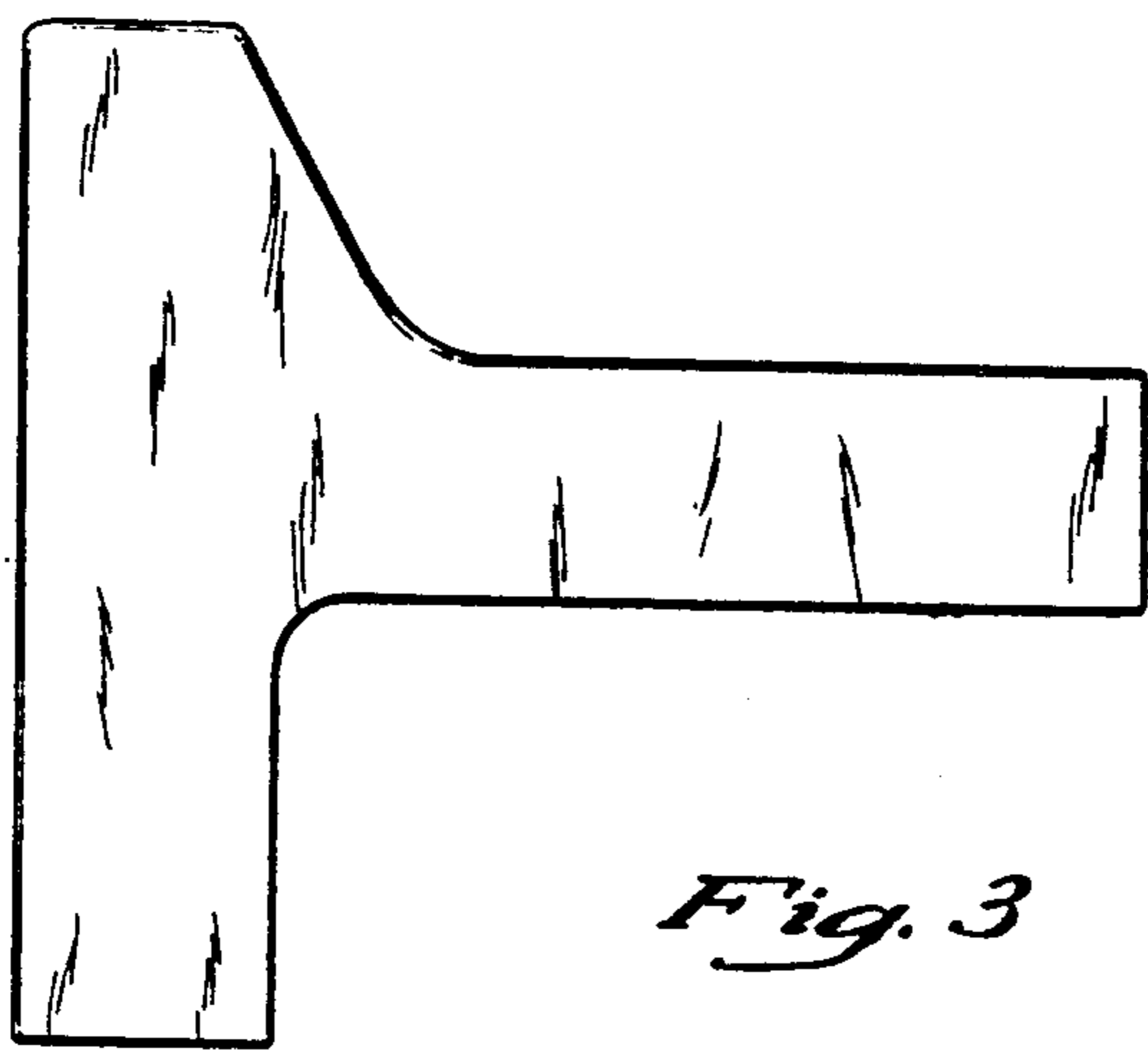


Fig. 3



Fig. 5



Fig. 7