

[54] **ELECTRICAL IMPULSE APPARATUS** 4,124,028 11/1978 Gallo ..... 128/419 S

[75] Inventor: **Hartley M. Sears**, Costa Mesa, Calif.

[73] Assignee: **Schick Laboratories, Inc.**, Los Angeles, Calif.

[\*\*] Term: **14 Years**

[21] Appl. No.: **8,095**

[22] Filed: **Jan. 31, 1979**

[51] Int. Cl. .... **D24-02**

[52] U.S. Cl. .... **D24/8; D24/17**

[58] Field of Search ..... 128/419 R, 419 S, 421, 128/422, 800; D24/8, 17, 36, 99

[56] **References Cited**

**U.S. PATENT DOCUMENTS**

D. 249,550	9/1978	Jankelson .....	D24/36
D. 256,394	8/1980	Walus et al. ....	D24/8
2,932,297	4/1960	Provenza .....	128/419 S
3,645,267	2/1972	Hagfors .....	128/419 C

**OTHER PUBLICATIONS**

Offner Electronics Inc., Electric Shock Therapy, Jul. 25, 1947, p. 3, Electric Shock Therapy Apparatus, Type 735.

*Primary Examiner*—Bernard Ansher  
*Attorney, Agent, or Firm*—Martin R. Horn

[57] **CLAIM**

The ornamental design for an electrical impulse apparatus, substantially as shown.

**DESCRIPTION**

FIG. 1 is a perspective view of an electrical impulse apparatus showing my new design; FIG. 2 is a top plan view thereof; FIG. 3 is a front plan view thereof; FIG. 4 is a left side elevational view thereof; FIG. 5 is a rear plan view thereof; FIG. 6 is a right side elevational view thereof; and FIG. 7 is a bottom plan view thereof.

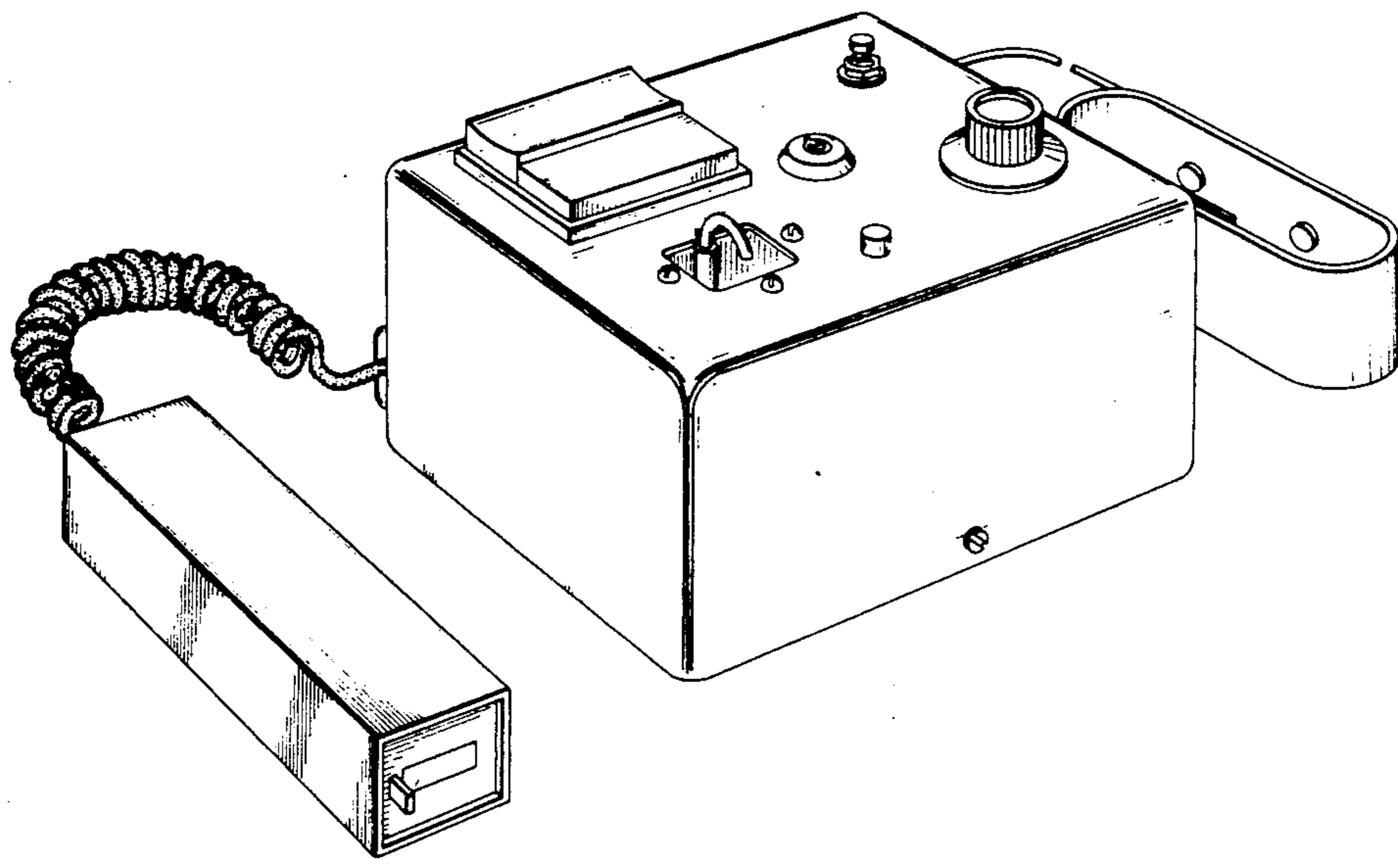
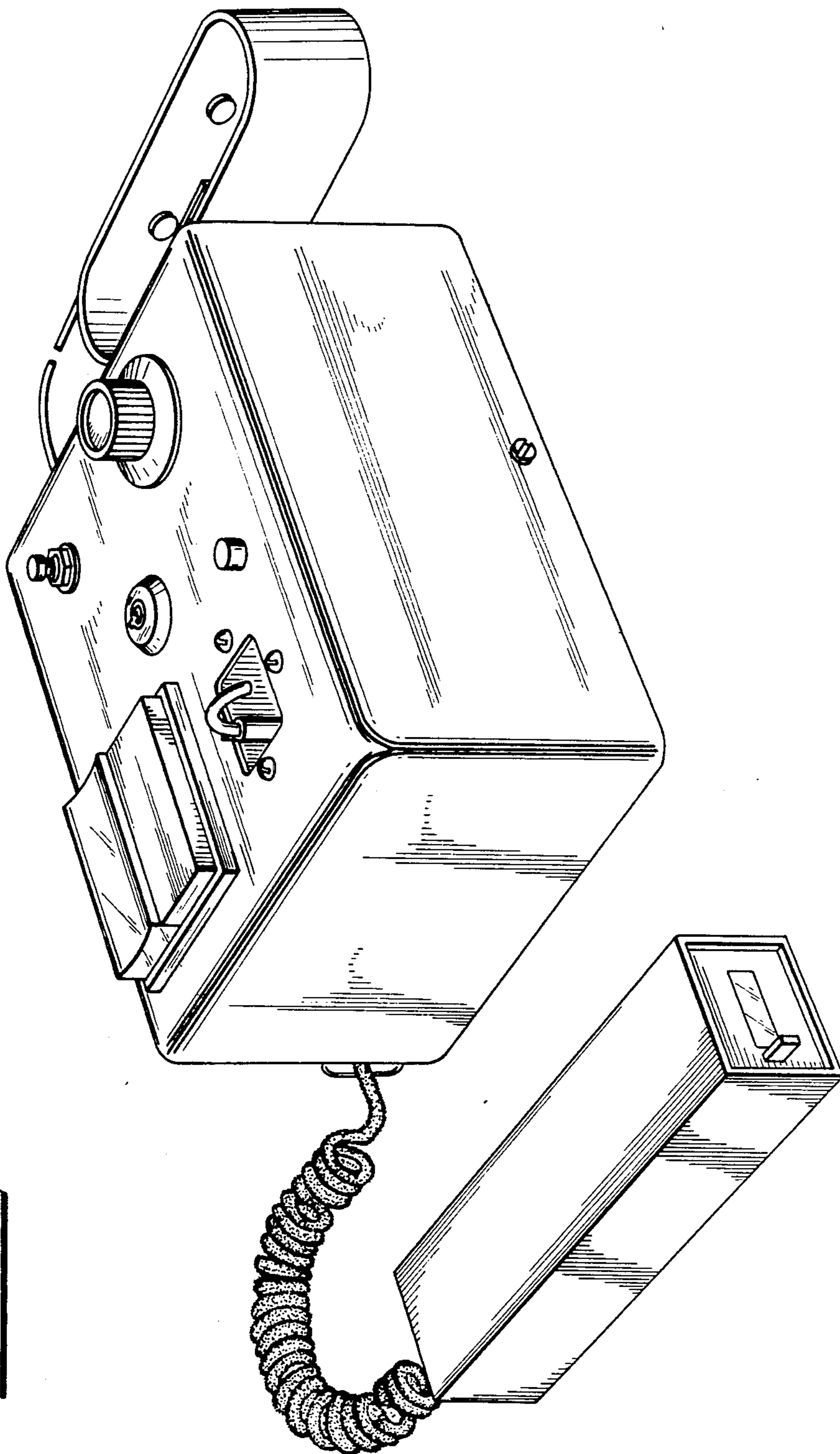
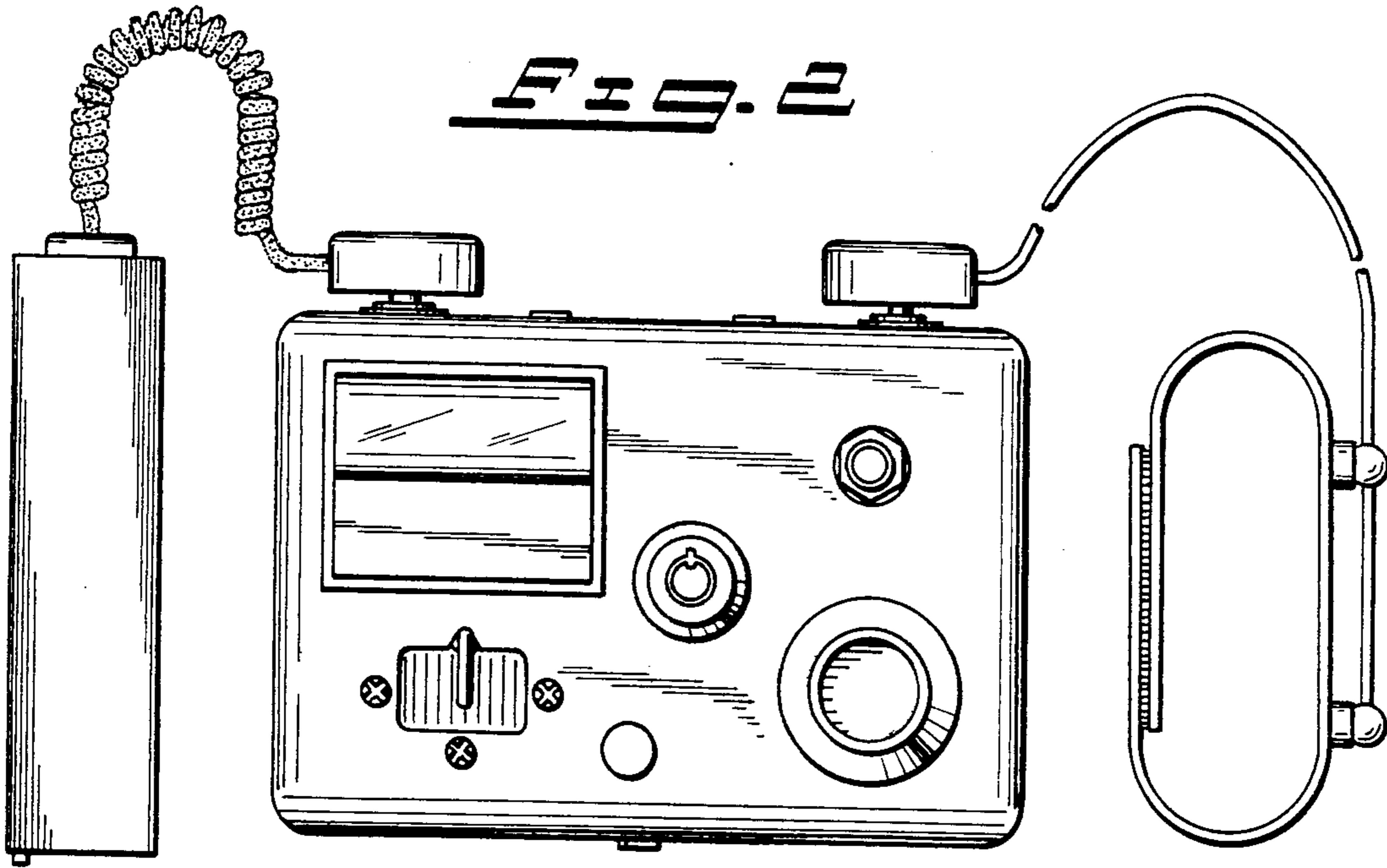


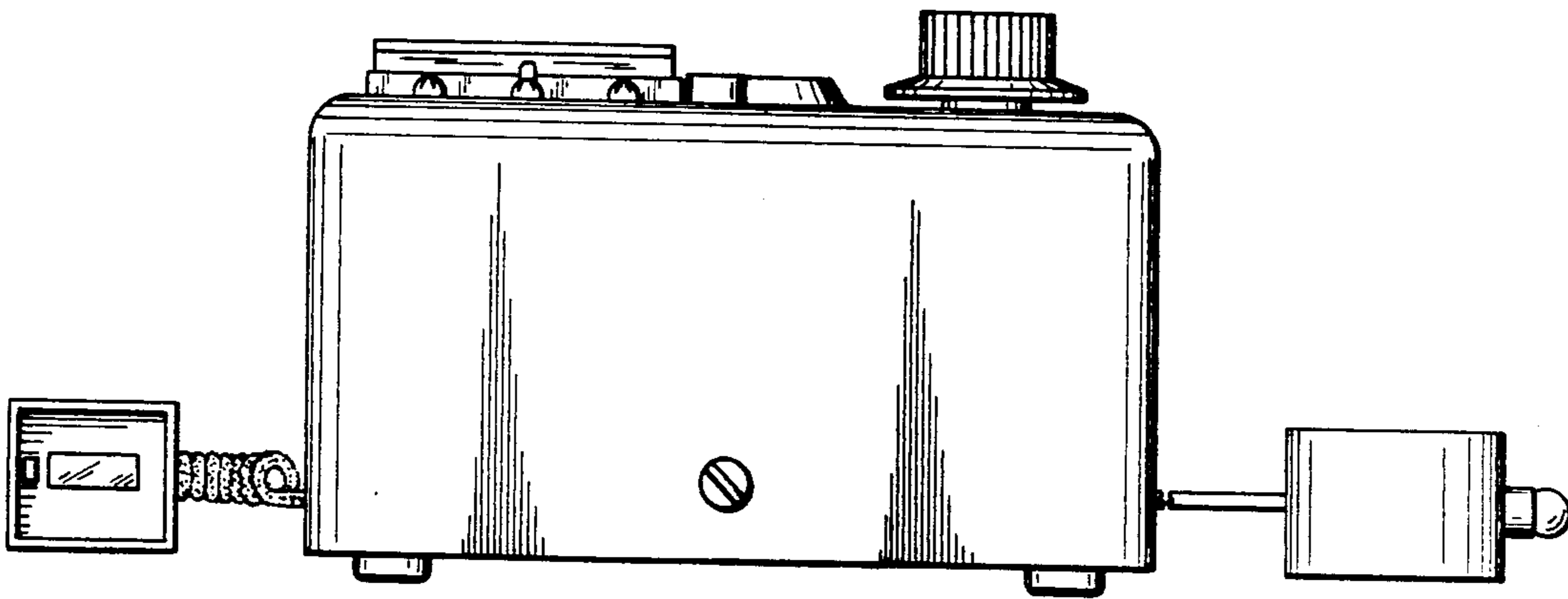
FIG. 1



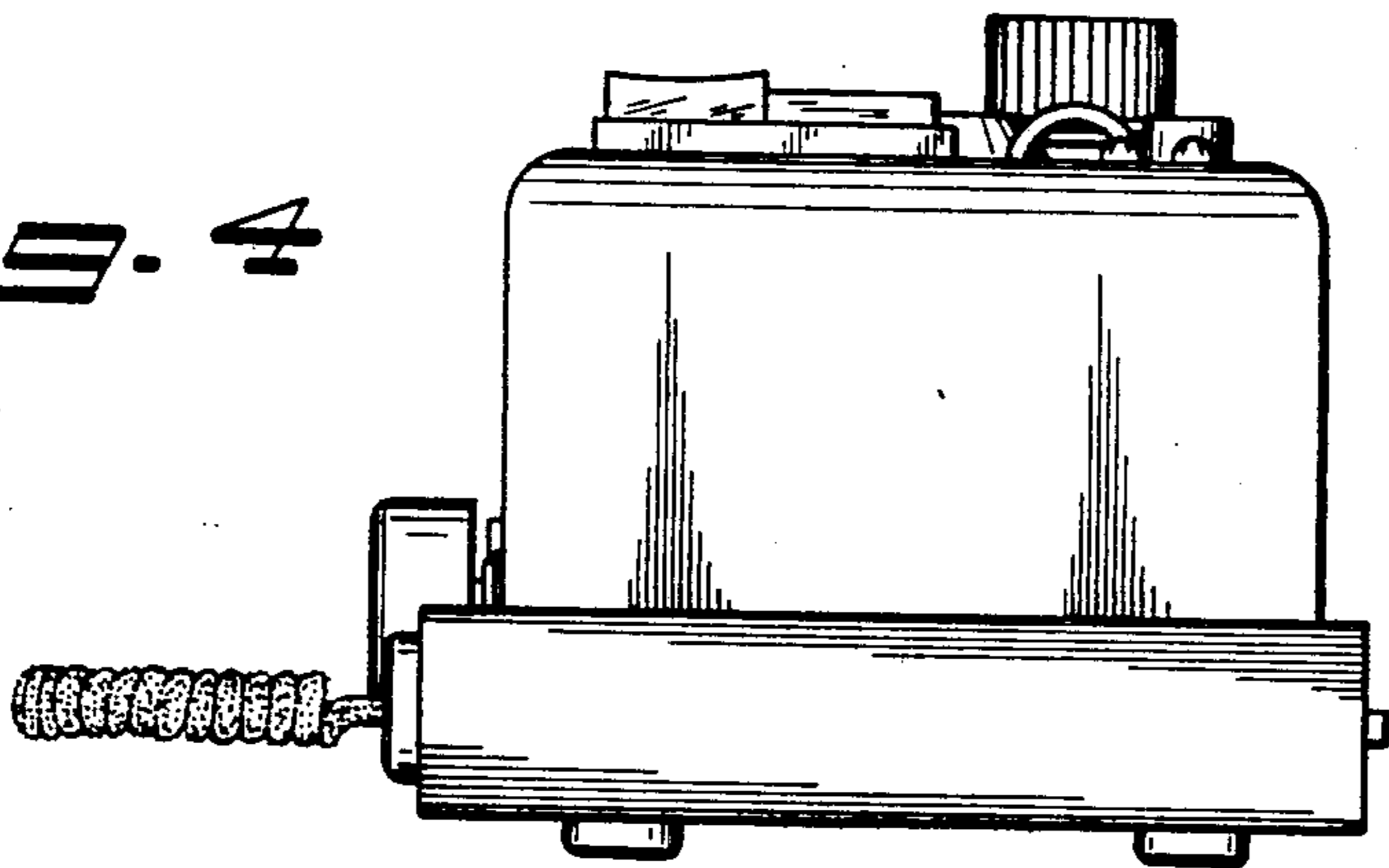
**Fig. 2**



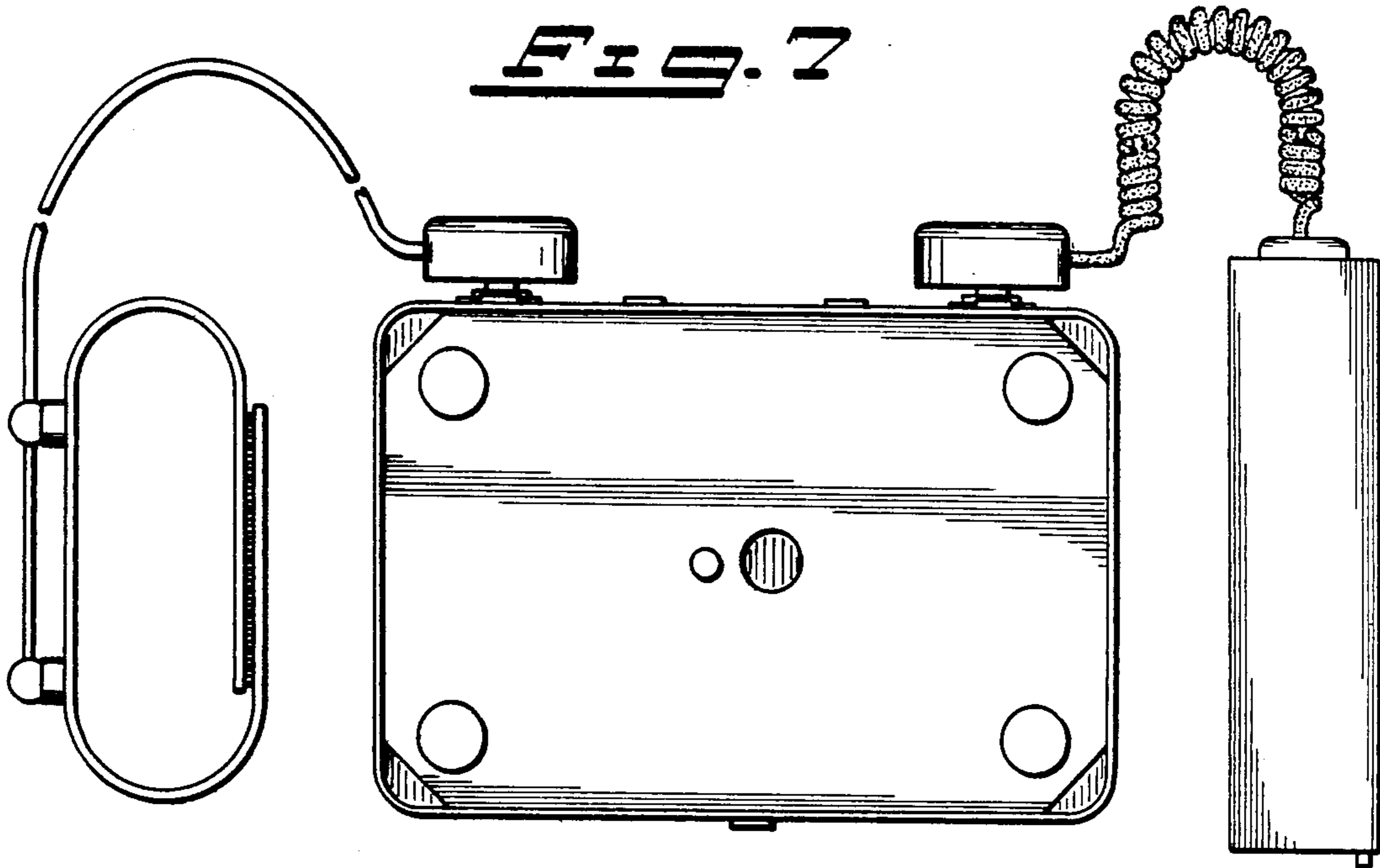
**Fig. 3**



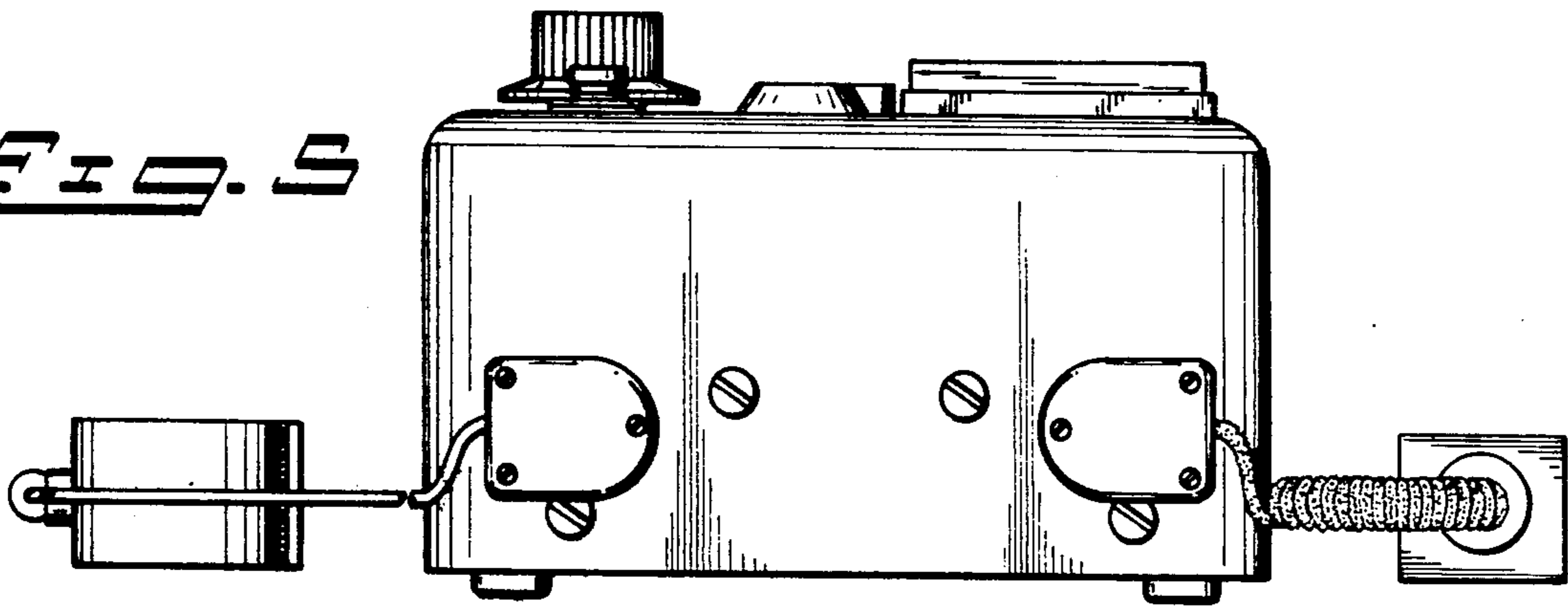
**Fig. 4**



*Fig. 7*



*Fig. 5*



*Fig. 6*

