

[54] FORCED AIR FIREPLACE FURNACE

[75] Inventors: Thomas V. Metz, Portland; W. James Sirois, Beaverton, both of Oreg.

[73] Assignee: Pacific Fireplace Furnishings, Inc., Portland, Oreg.

[**] Term: 14 Years

[21] Appl. No.: 967,425

[22] Filed: Dec. 7, 1978

[51] Int. Cl. D23-03

[52] U.S. Cl. D23/95

[58] Field of Search D23/92-97, D23/127; 126/120, 121, 138, 140, 163 R, 163 A, 164, 165; D7/207

[56] References Cited

U.S. PATENT DOCUMENTS

D. 254,388 3/1980 Chestnut et al. D23/95

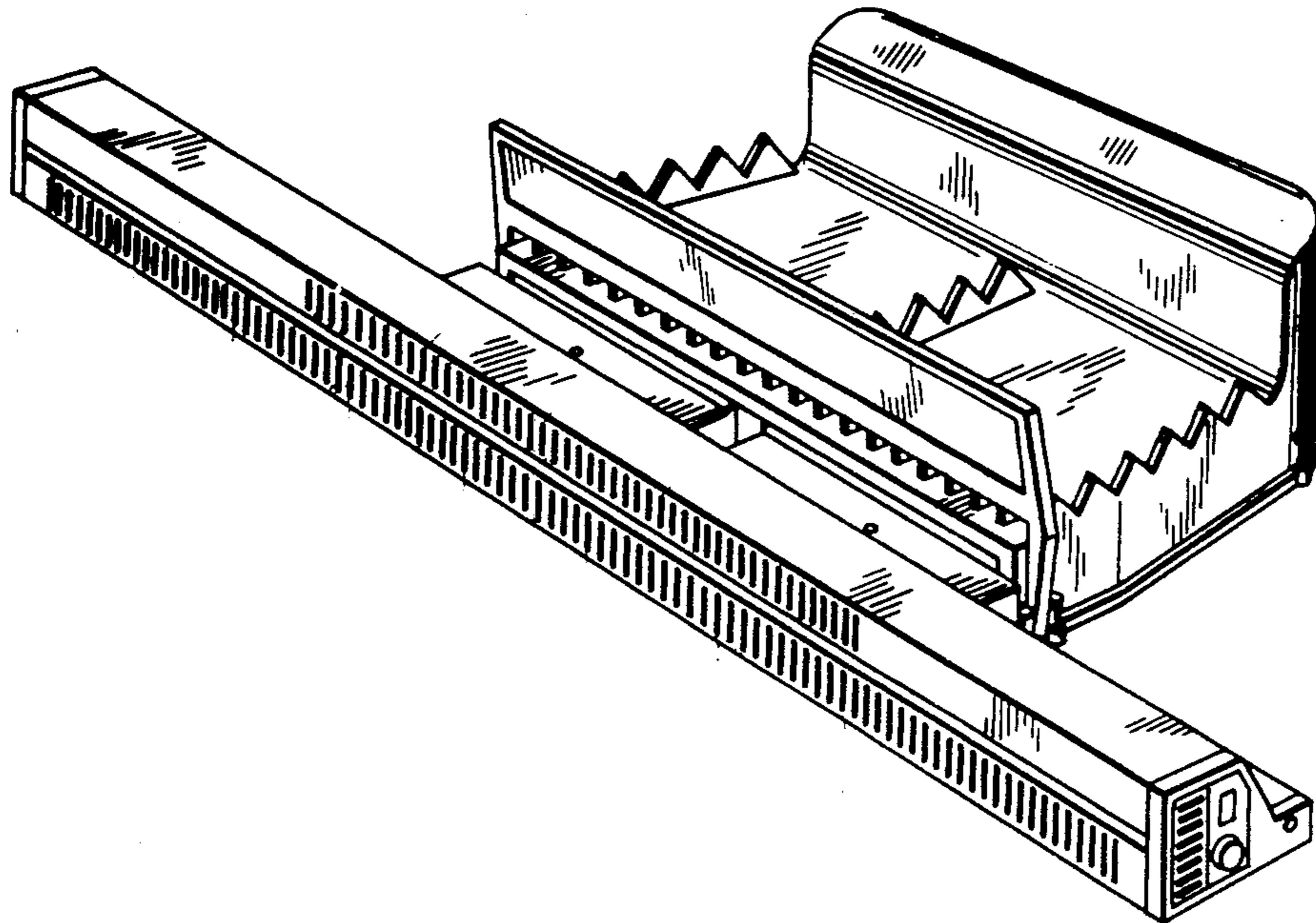
Primary Examiner—Catherine E. Kemper
Attorney, Agent, or Firm—Chernoff & Vilhauer

[57] CLAIM

The ornamental design for a forced air fireplace furnace, as shown and described.

DESCRIPTION

FIG. 1 is a perspective view of a forced air fireplace furnace showing our new design; FIG. 2 is a rear elevational view thereof; FIG. 3 is a front elevational view thereof; FIG. 4 is a bottom view thereof; FIG. 5 is a side elevational view thereof, the side of the furnace not shown herein is a mirror image thereof; and FIG. 6 is a plan view thereof.



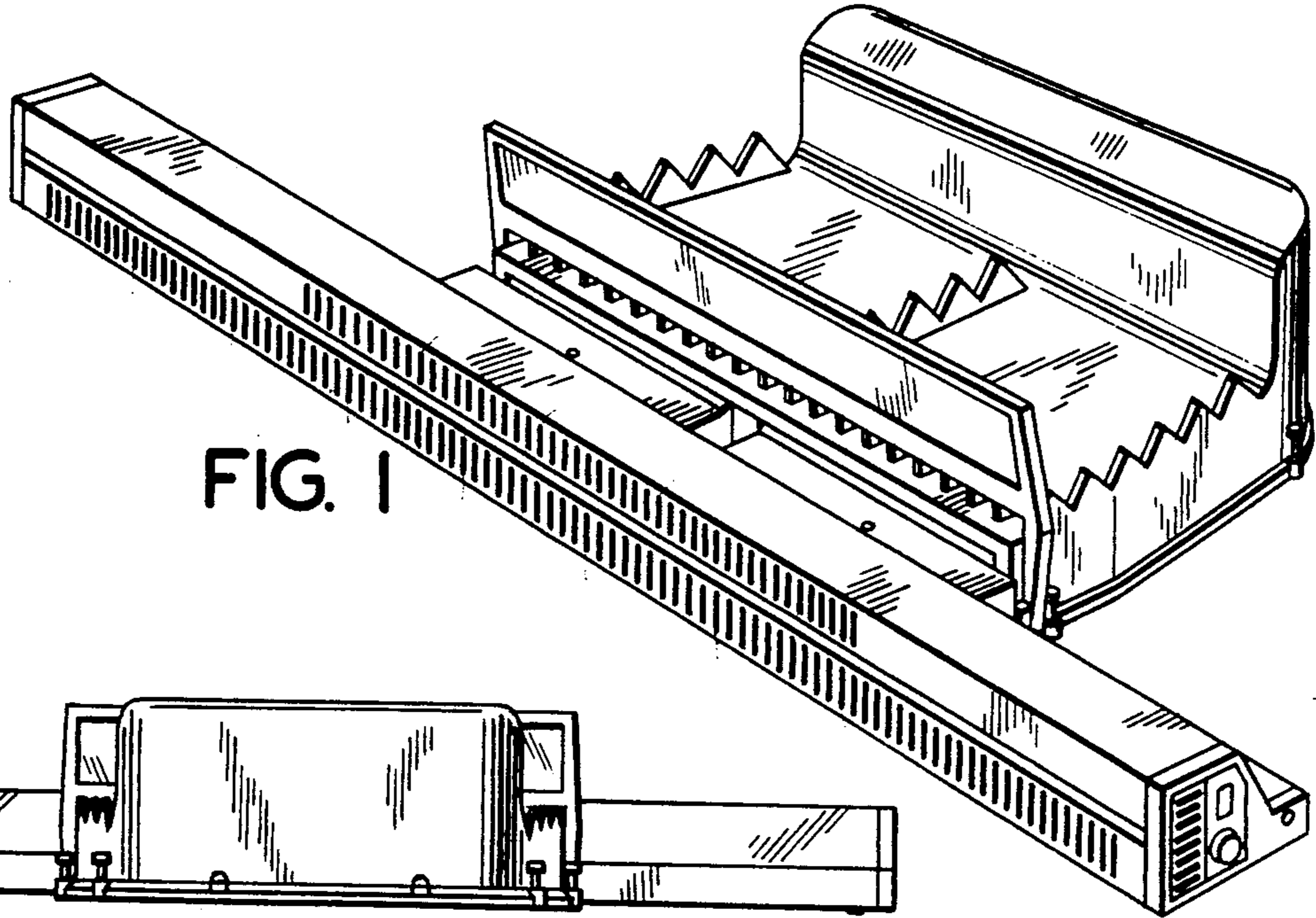


FIG. 1

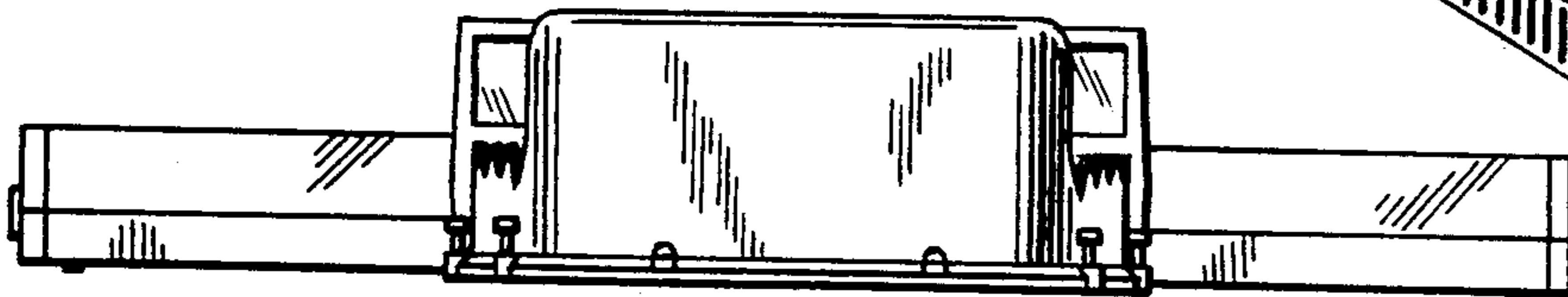


FIG. 2

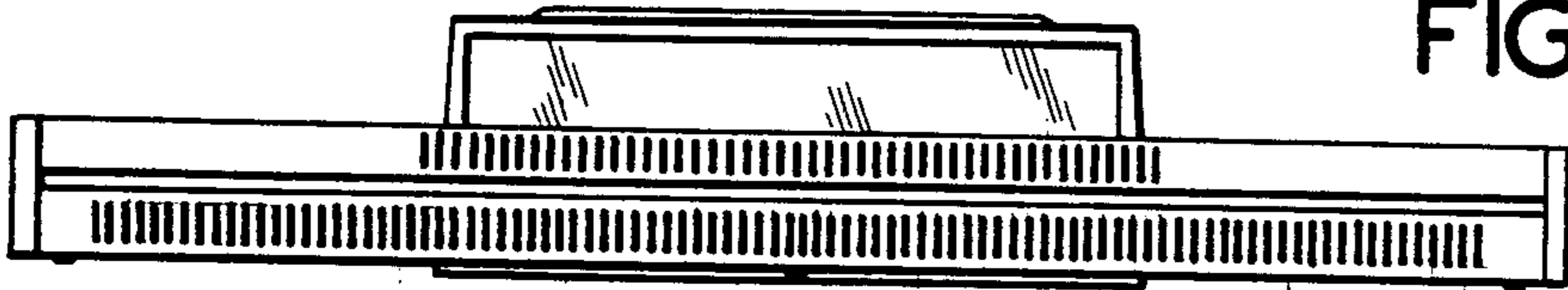


FIG. 3

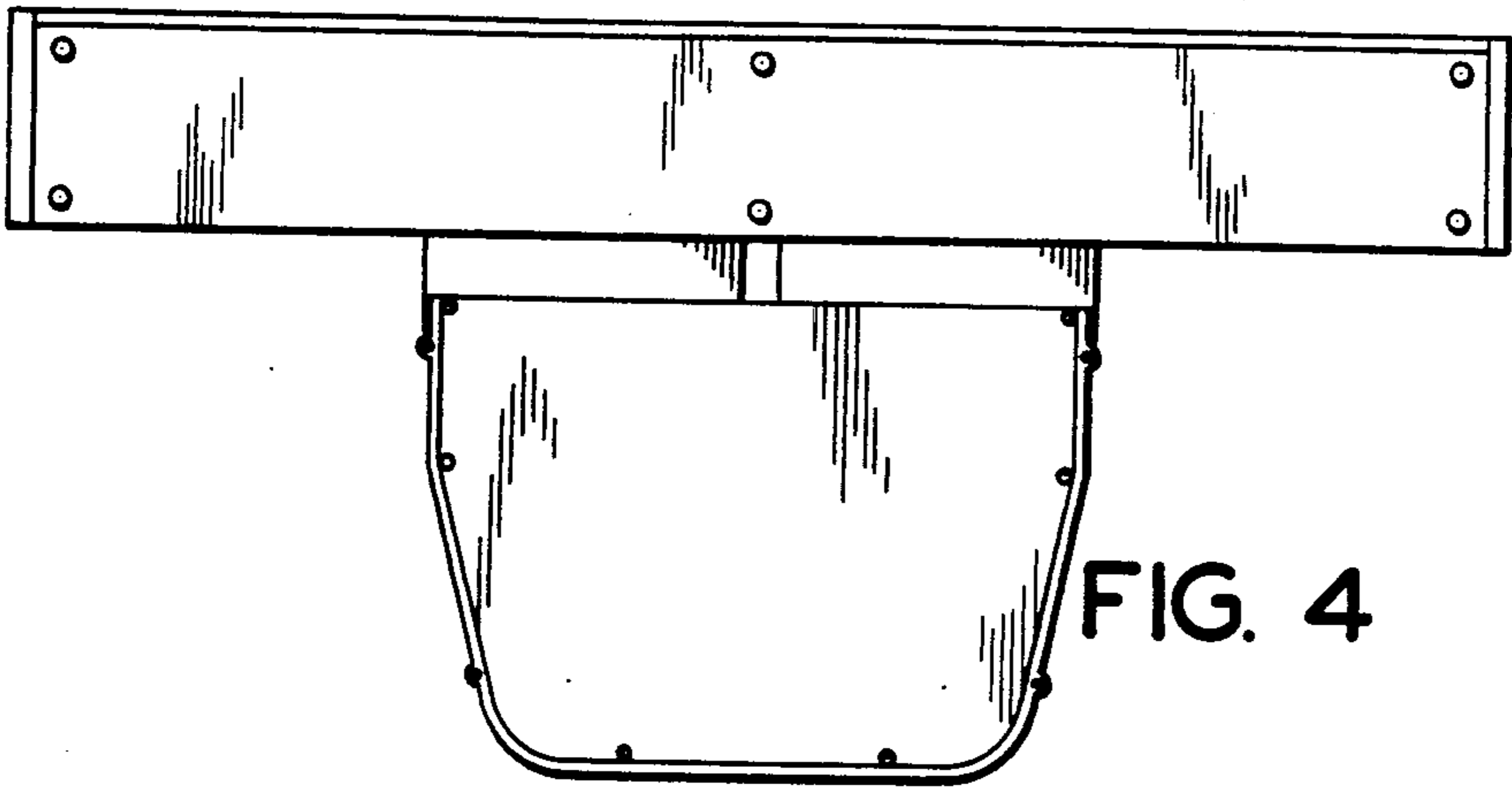


FIG. 4

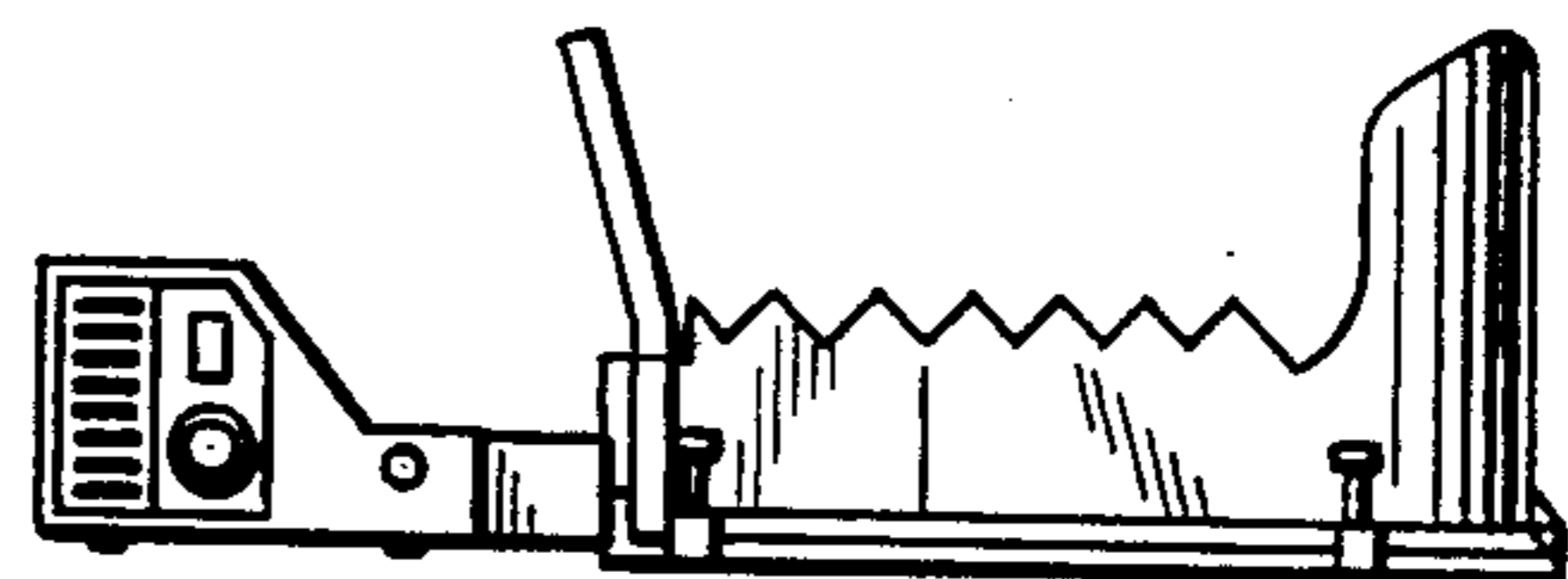


FIG. 5

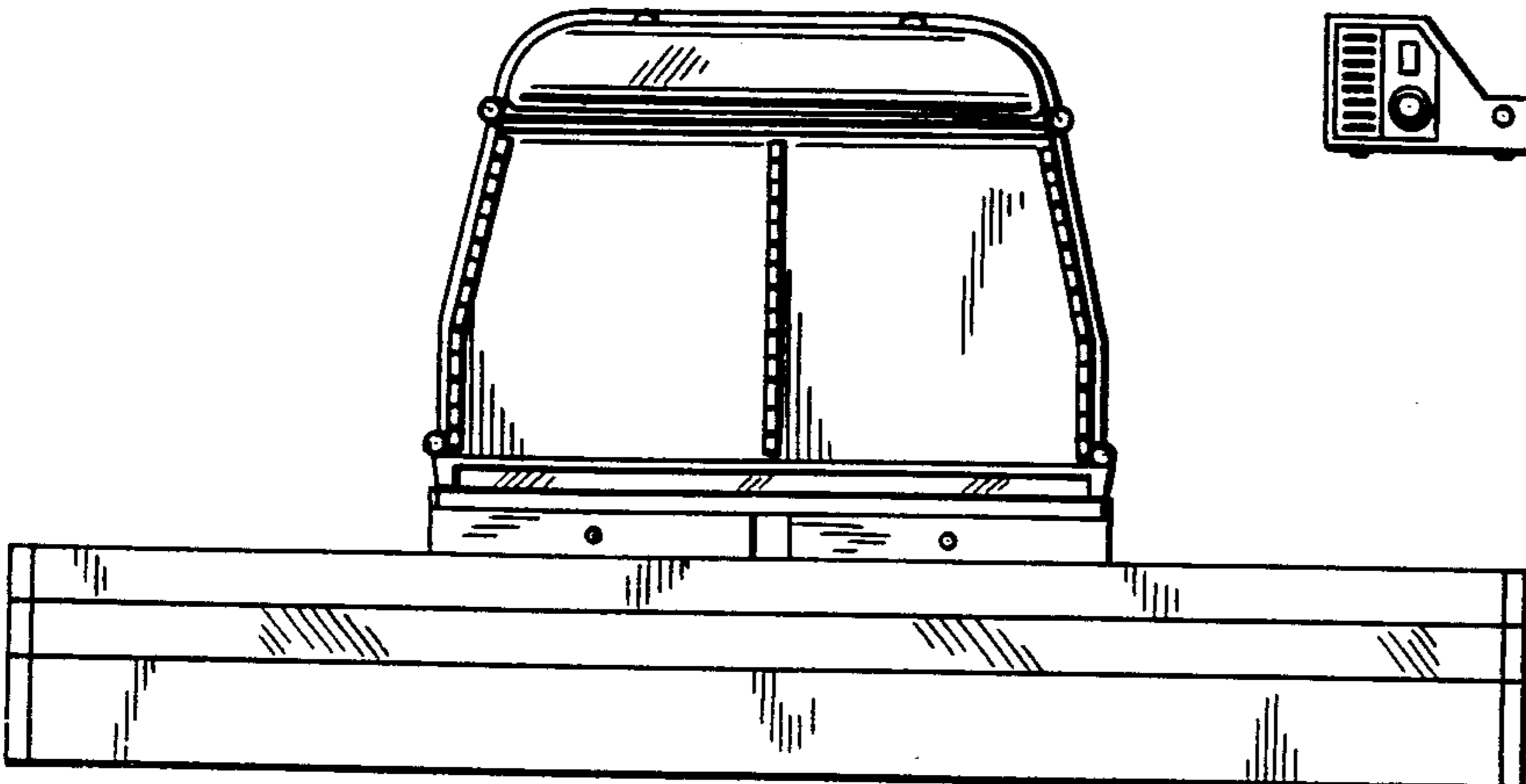


FIG. 6