

[54] POOL TABLE

[75] Inventor: Arnold Kaye, Westport, Conn.

[73] Assignee: Irving Kaye Company, Inc., Stamford, Conn.

[\*\*] Term: 14 Years

[21] Appl. No.: 62,144

[22] Filed: Jul, 30, 1979

[51] Int. Cl. .... D21-01

[52] U.S. Cl. .... D21/232

[58] Field of Search ..... D21/232; D6/177, 179, D6/161, 162; 273/3 R, 3 C

[56] References Cited

U.S. PATENT DOCUMENTS

D. 174,550 4/1955 Gunklach ..... D21/232  
D. 252,431 7/1979 Pfister ..... D6/177

Primary Examiner—Melvin B. Feifer  
Attorney, Agent, or Firm—Darby & Darby

[57] CLAIM

The ornamental design for a pool table, as shown and described.

DESCRIPTION

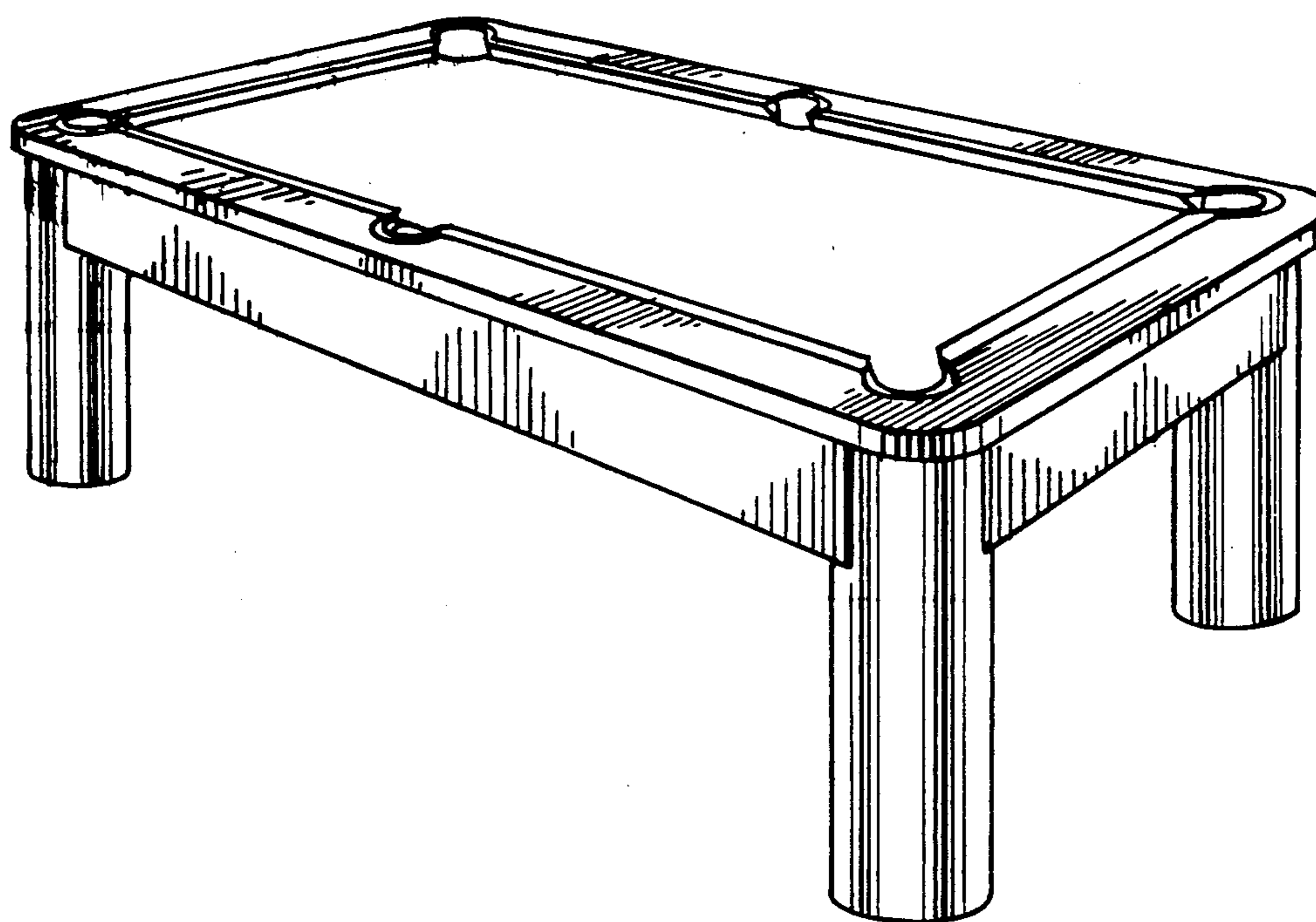
FIG. 1 is a perspective view of a pool table showing my new design;

FIG. 2 is a plan view thereof;

FIG. 3 is an elevation view of one side, the other side view being a mirror image thereof;

FIG. 4 is an end view thereof, the other end view being a mirror image thereof; and

FIG. 5 is a bottom view.



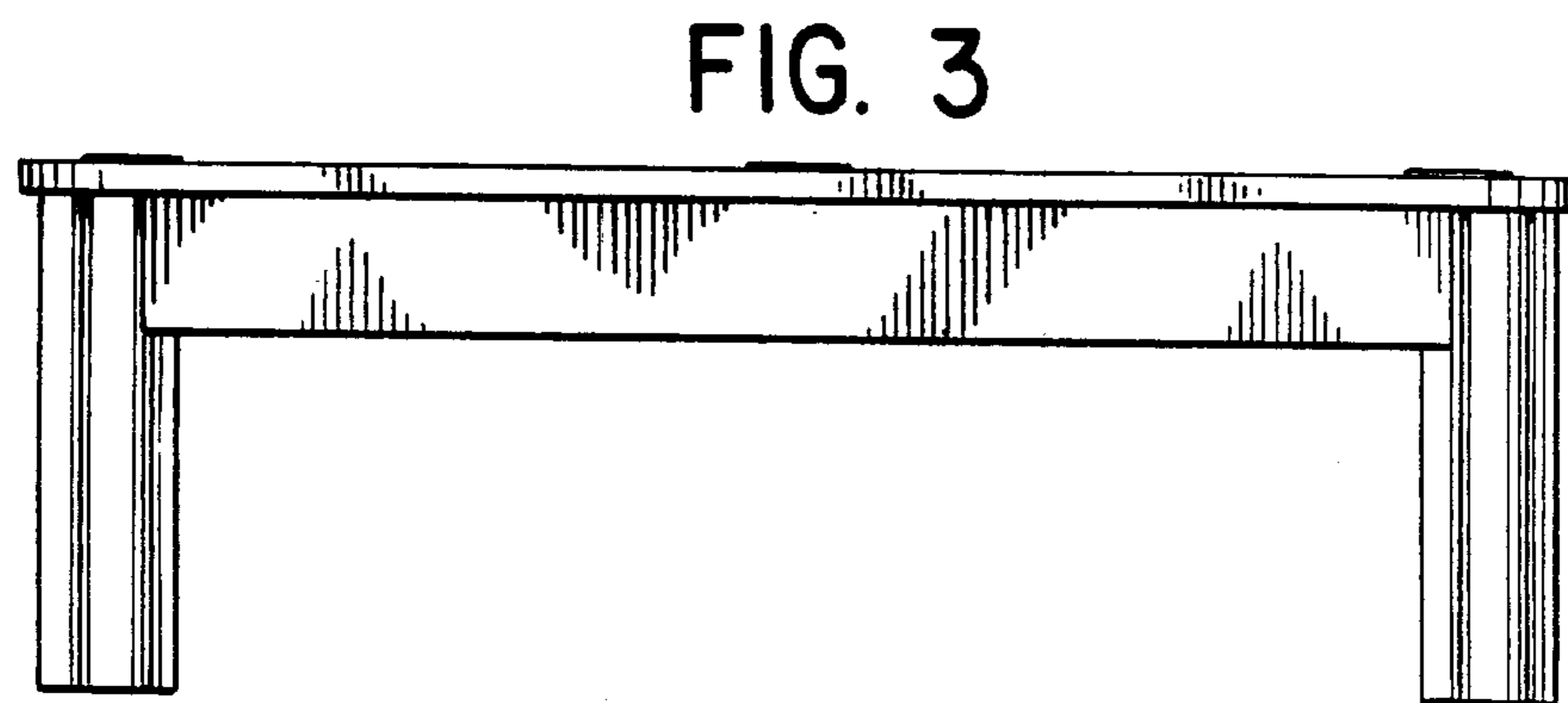
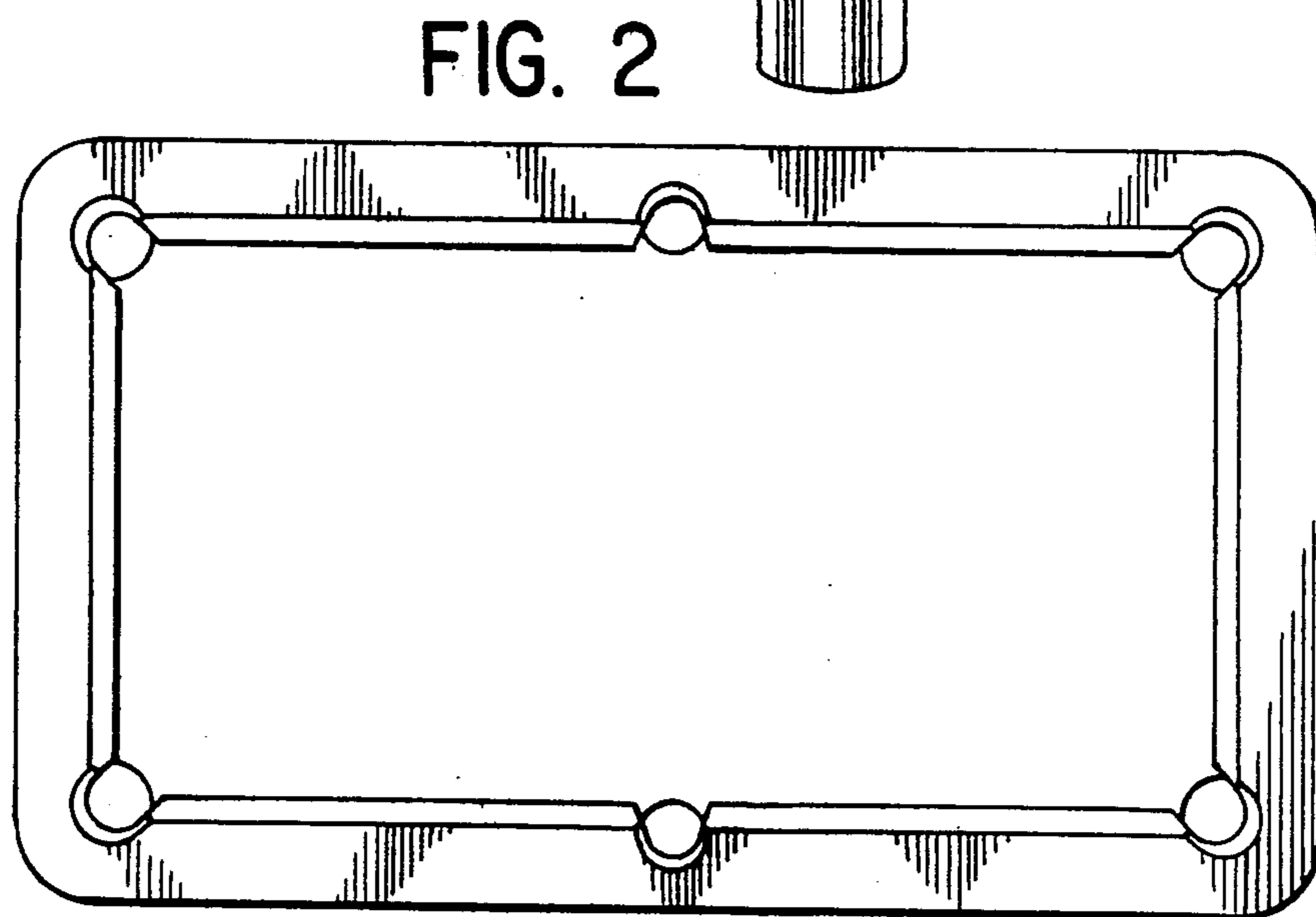
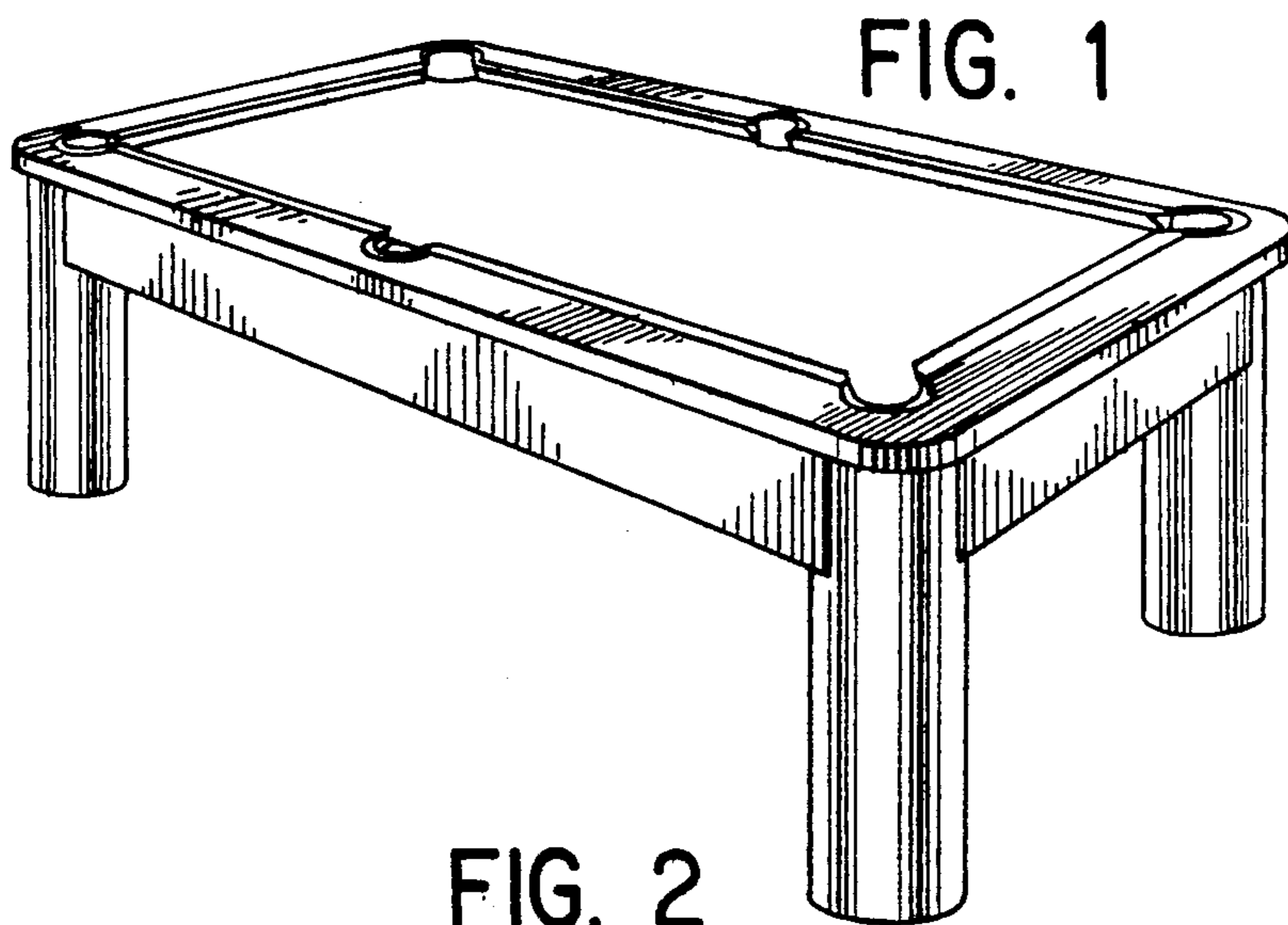


FIG. 4

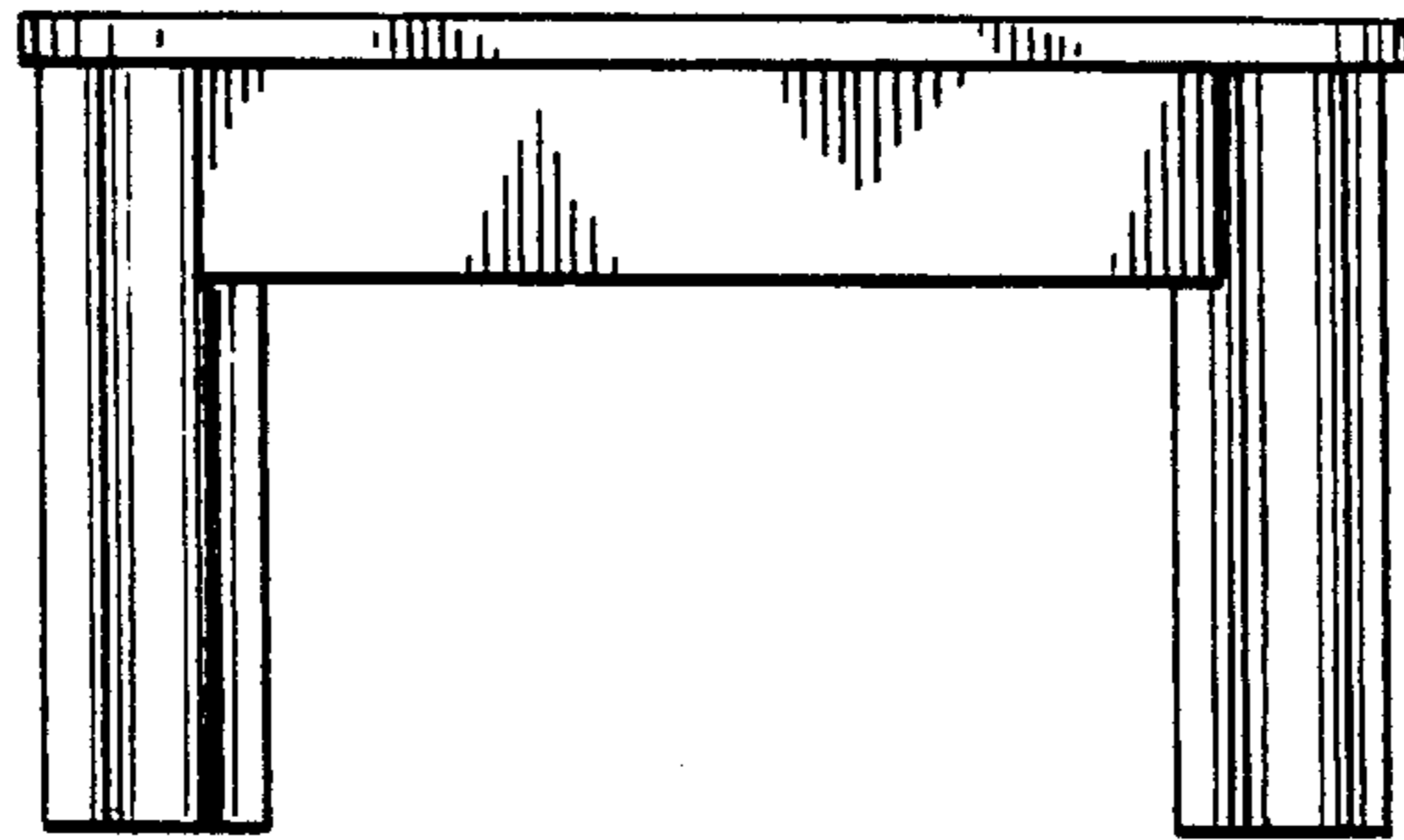


FIG. 5

