

[54] EXERCISER

[75] Inventor: Tim M. Uyeda, Los Angeles County, Calif.

[73] Assignee: Marcy Gymnasium Equipment Company, Alhambra, Calif.

[**] Term: 14 Years

[21] Appl. No.: 5,694

[22] Filed: Jan. 23, 1979

[51] Int. Cl. D21-02

[52] U.S. Cl. D21/195

[58] Field of Search D21/191, 193, 195, 196, D21/197, 198, 199; 272/61, 112, 93, 67, 68, 116, 118, 125, 126, 133, 134, 141, 144

[56] References Cited

U.S. PATENT DOCUMENTS

D. 225,071	11/1972	Proctor	D21/195
3,807,728	4/1974	Chiller	272/134

OTHER PUBLICATIONS

Sporting Goods Dealer, 7-1977, p. 213, Free Standing Lat/Curl Machine.

Universal Gym Machine Catalog, ©1974, p. 32, "Universal High Pulley."

Primary Examiner—Charles A. Rademaker
Attorney, Agent, or Firm—James E. Brunton

[57] CLAIM

The ornamental design for an exerciser, as shown and described.

DESCRIPTION

FIG. 1 is a front elevational view of an exerciser showing my new design;

FIG. 2 is a right side elevational view thereof;

FIG. 3 is a rear elevational view thereof;

FIG. 4 is a top plan view thereof shown on an enlarged scale; and

FIG. 5 is a bottom plan view thereof.

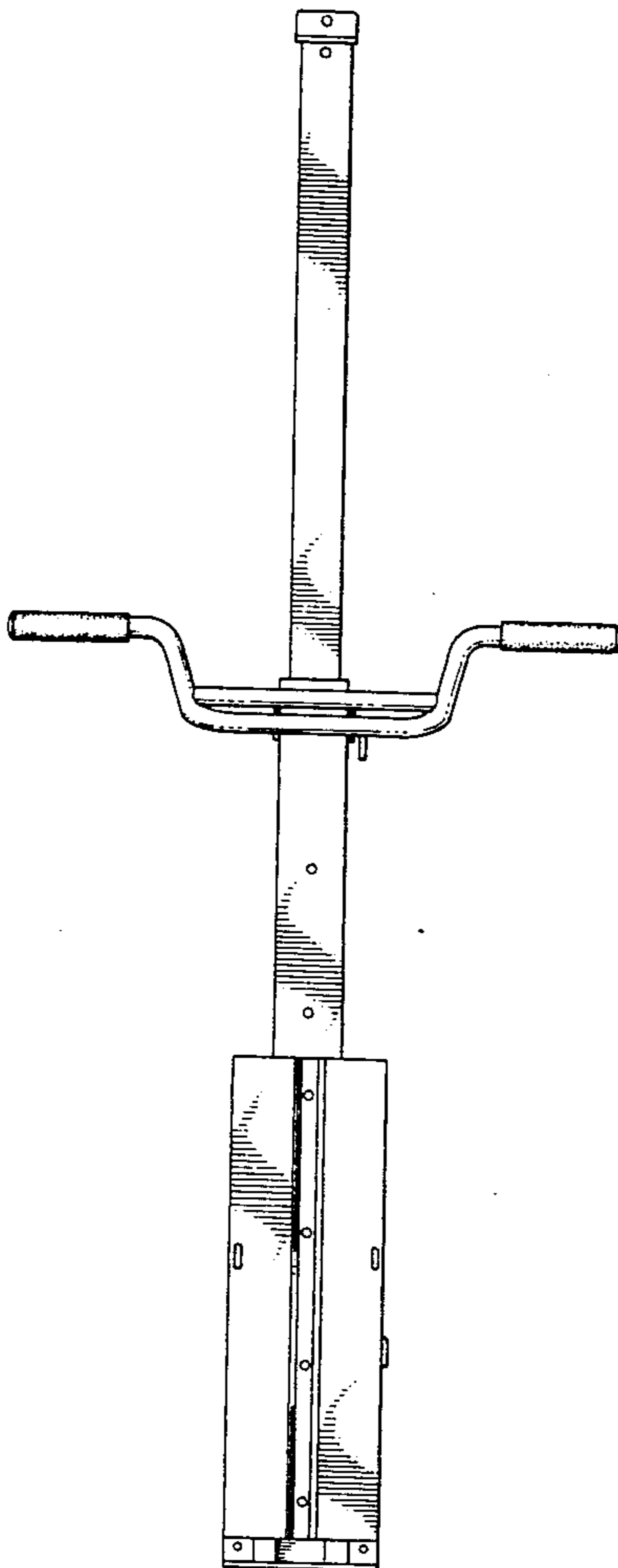


FIG. 1.

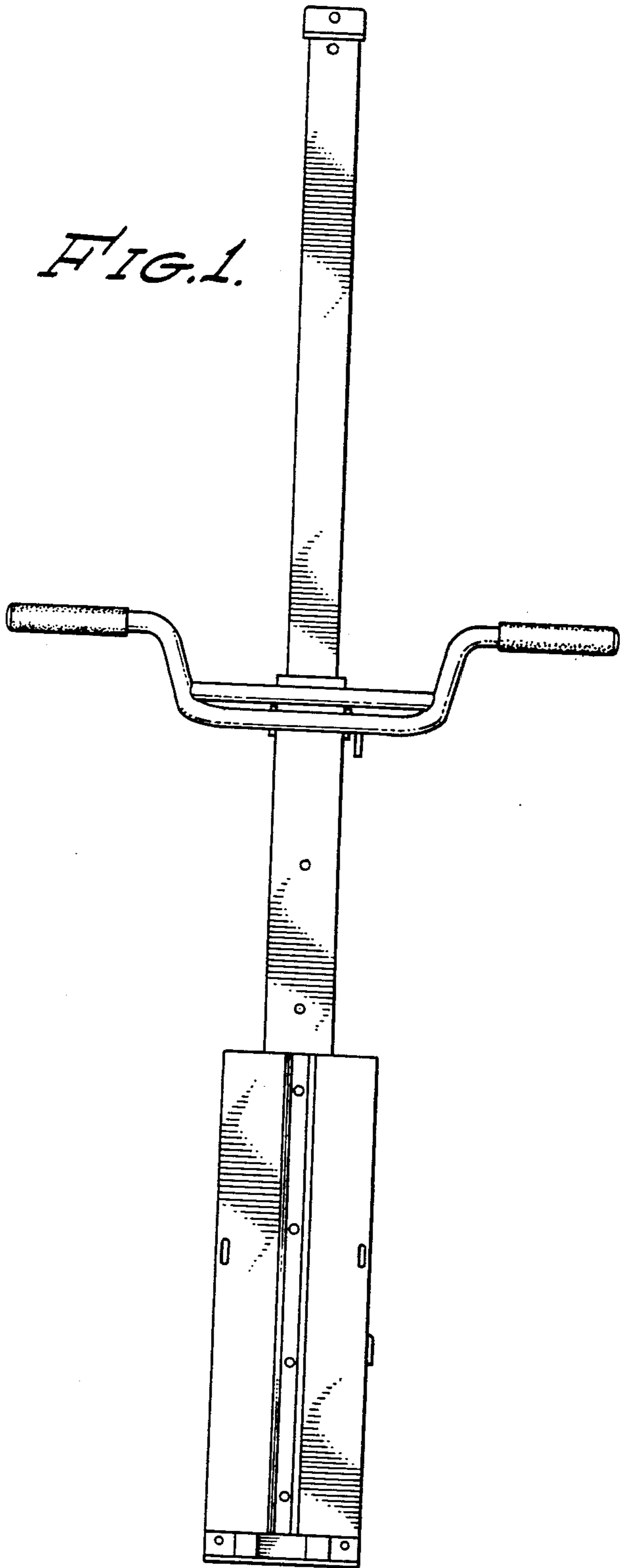


FIG. 2.

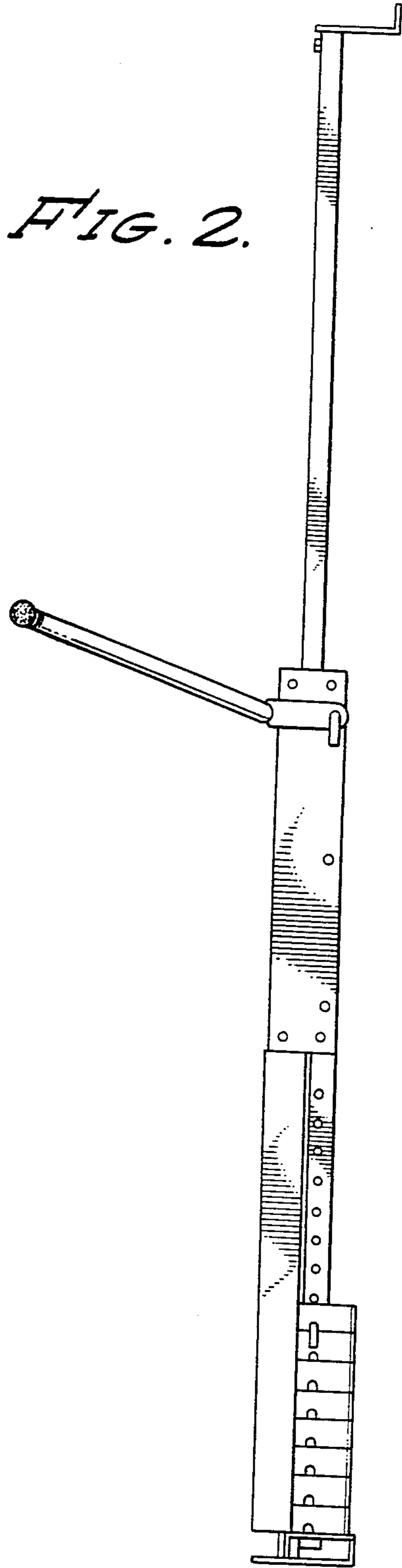


FIG. 3.

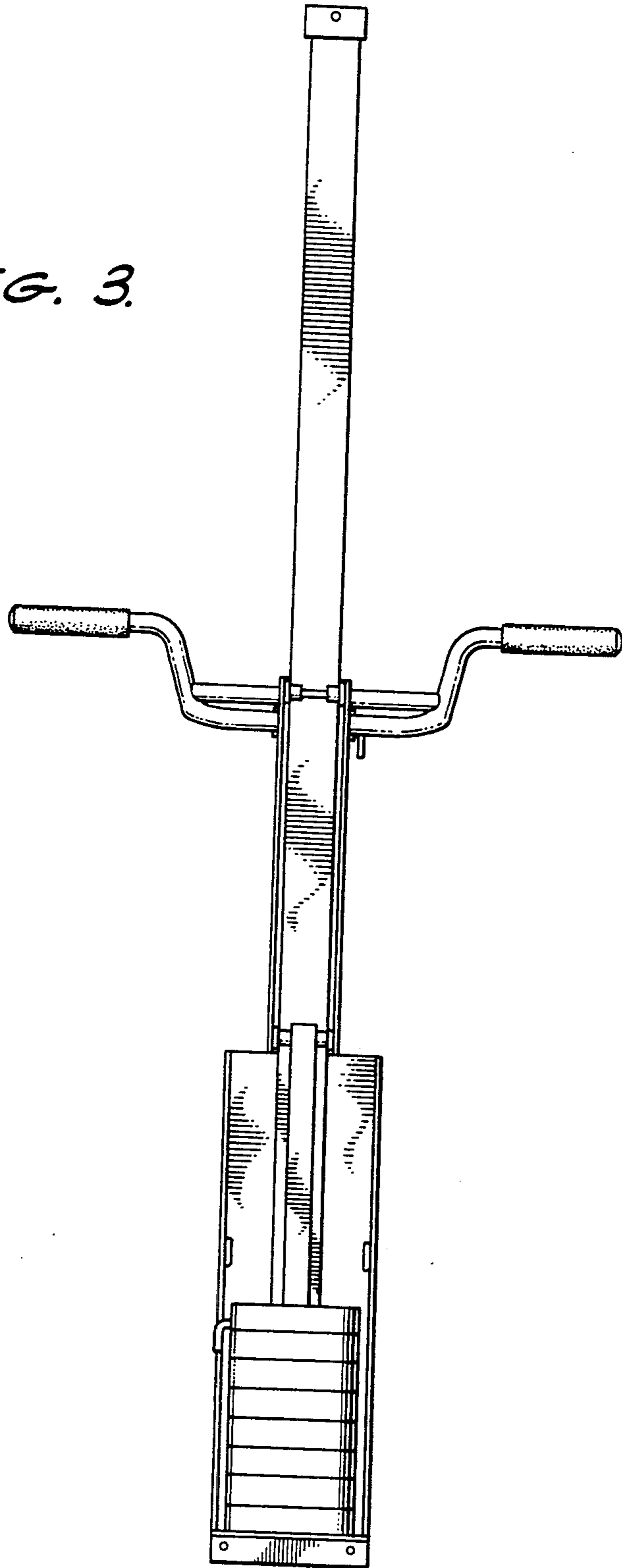


FIG. 4.

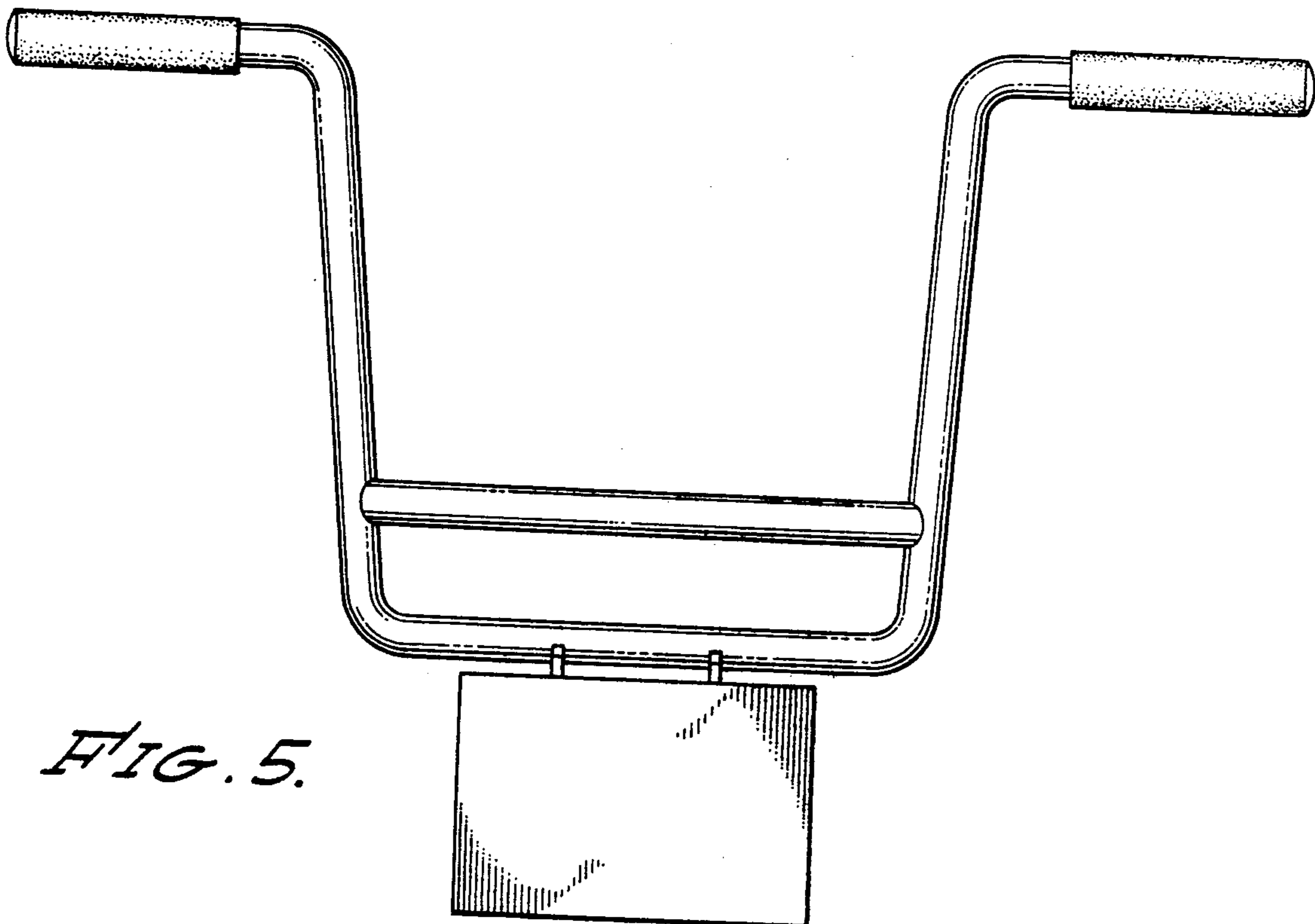
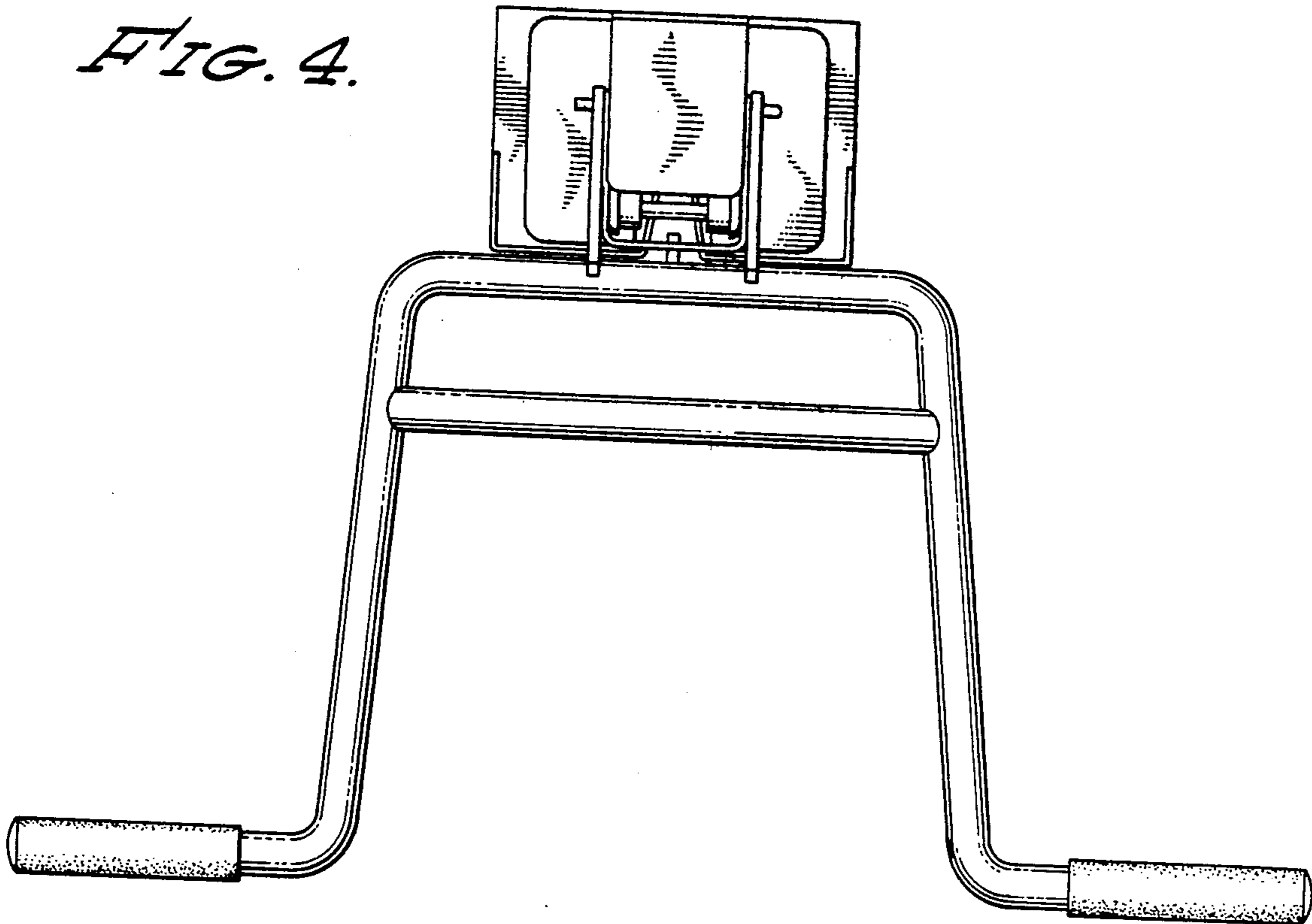


FIG. 5.