

[54] HOBBY HORSE FIGURINE TOY
[75] Inventor: Osamu Takahashi, Gardena, Calif.
[73] Assignee: Tomy Kogyo Co., Inc., Tokyo, Japan
[**] Term: 14 Years
[21] Appl. No.: 3,270
[22] Filed: Jan. 15, 1979

[51] Int. Cl. D21-01
[52] U.S. Cl. D21/181
[58] Field of Search D21/181, 166, 150, 148,
D21/75; 46/108, 102-106

[56] References Cited
U.S. PATENT DOCUMENTS
D. 182,662 4/1958 Hostetler D21/75
D. 232,115 7/1974 Luzius et al. D21/181

Primary Examiner—Melvin B. Feifer
Attorney, Agent, or Firm—Edward D. O'Brian

[57] CLAIM
The ornamental design for a hobby horse figurine toy,
substantially as shown and described.

DESCRIPTION
FIG. 1 is a perspective view of a hobby horse figurine
toy showing my new design;
FIG. 2 is a side elevational view thereof illustrating the
side which is not visible from FIG. 1;
FIG. 3 is a rear elevational view thereof; and
FIG. 4 is a bottom plan view thereof.



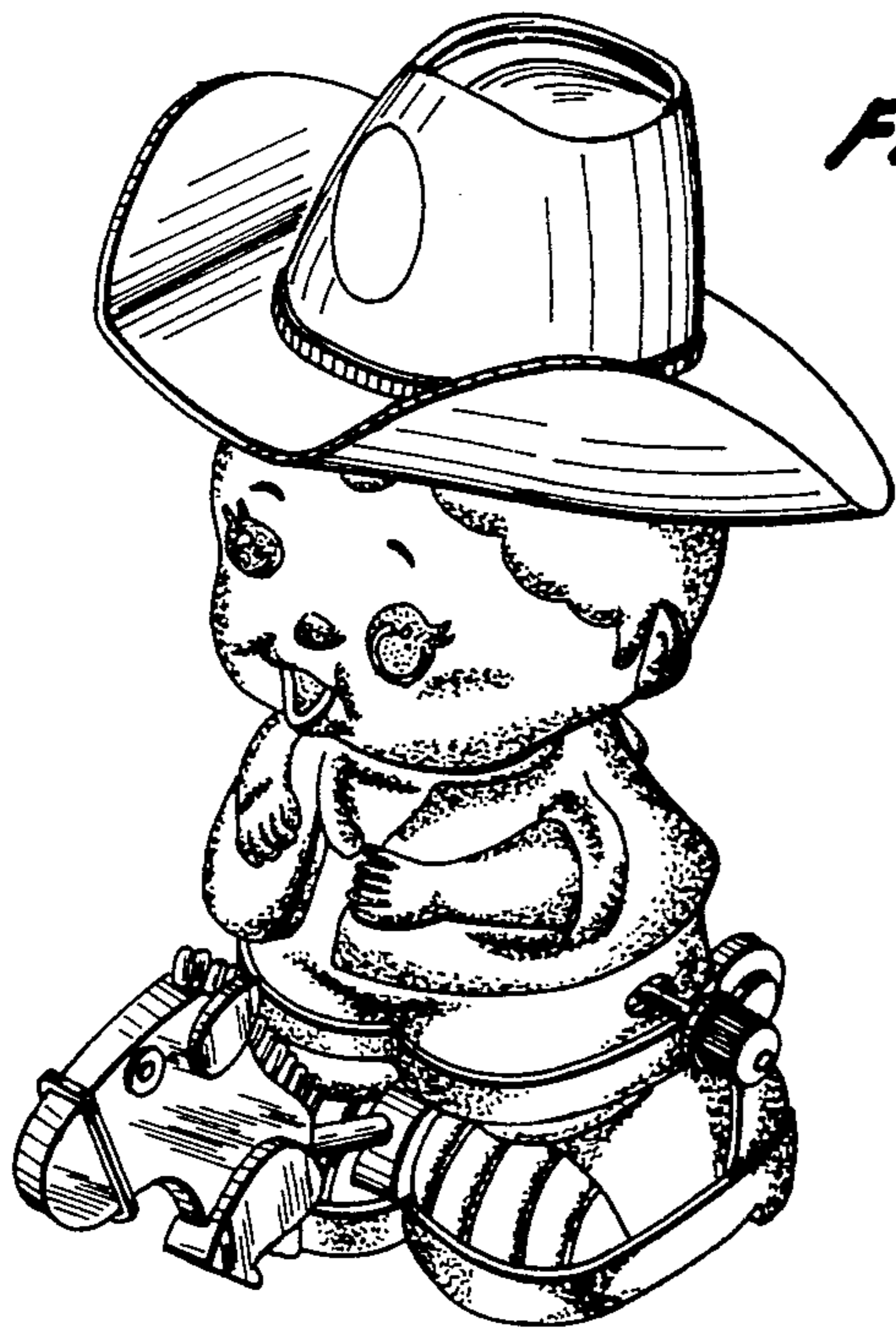


Fig. 1

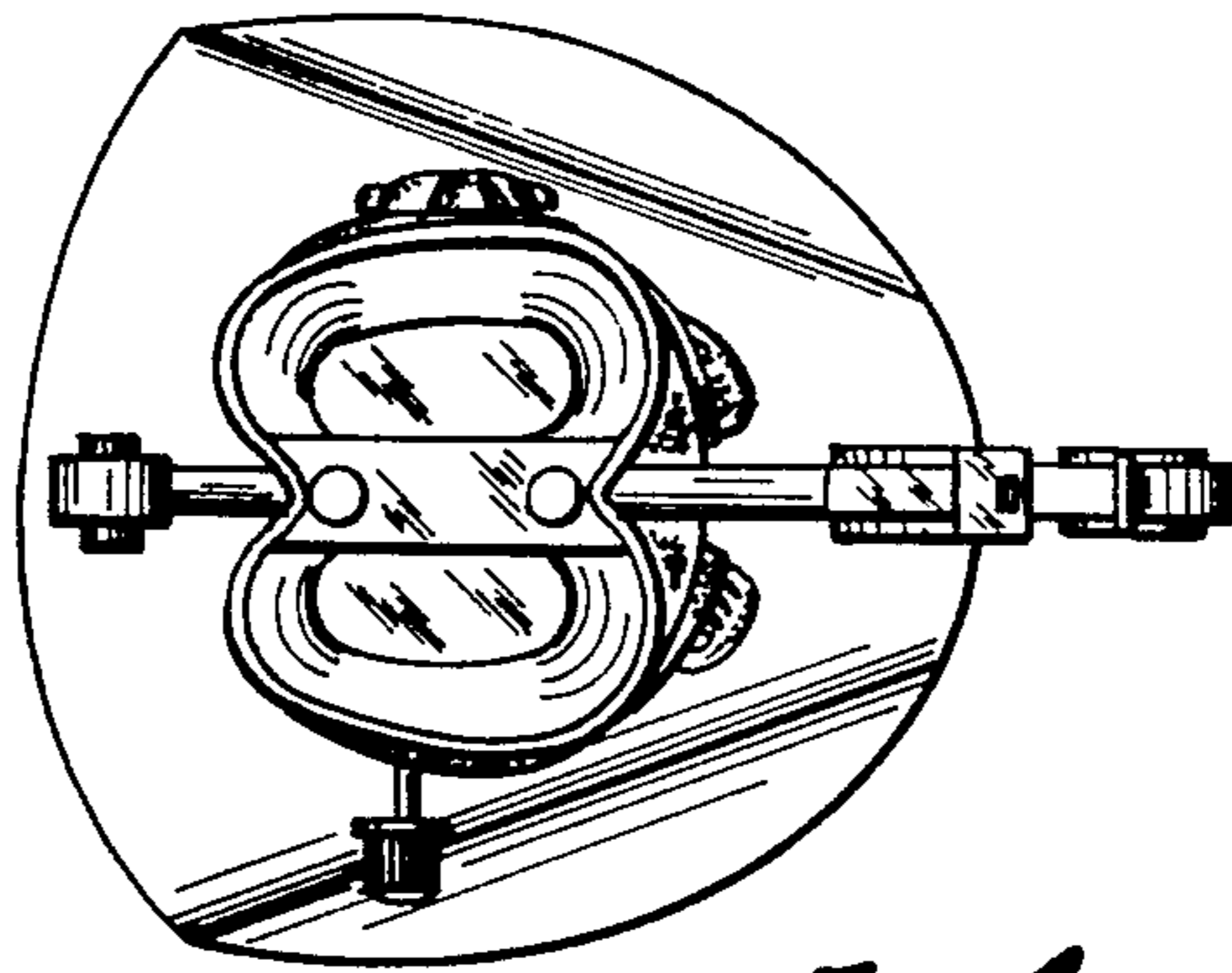


Fig. 4

Fig. 2

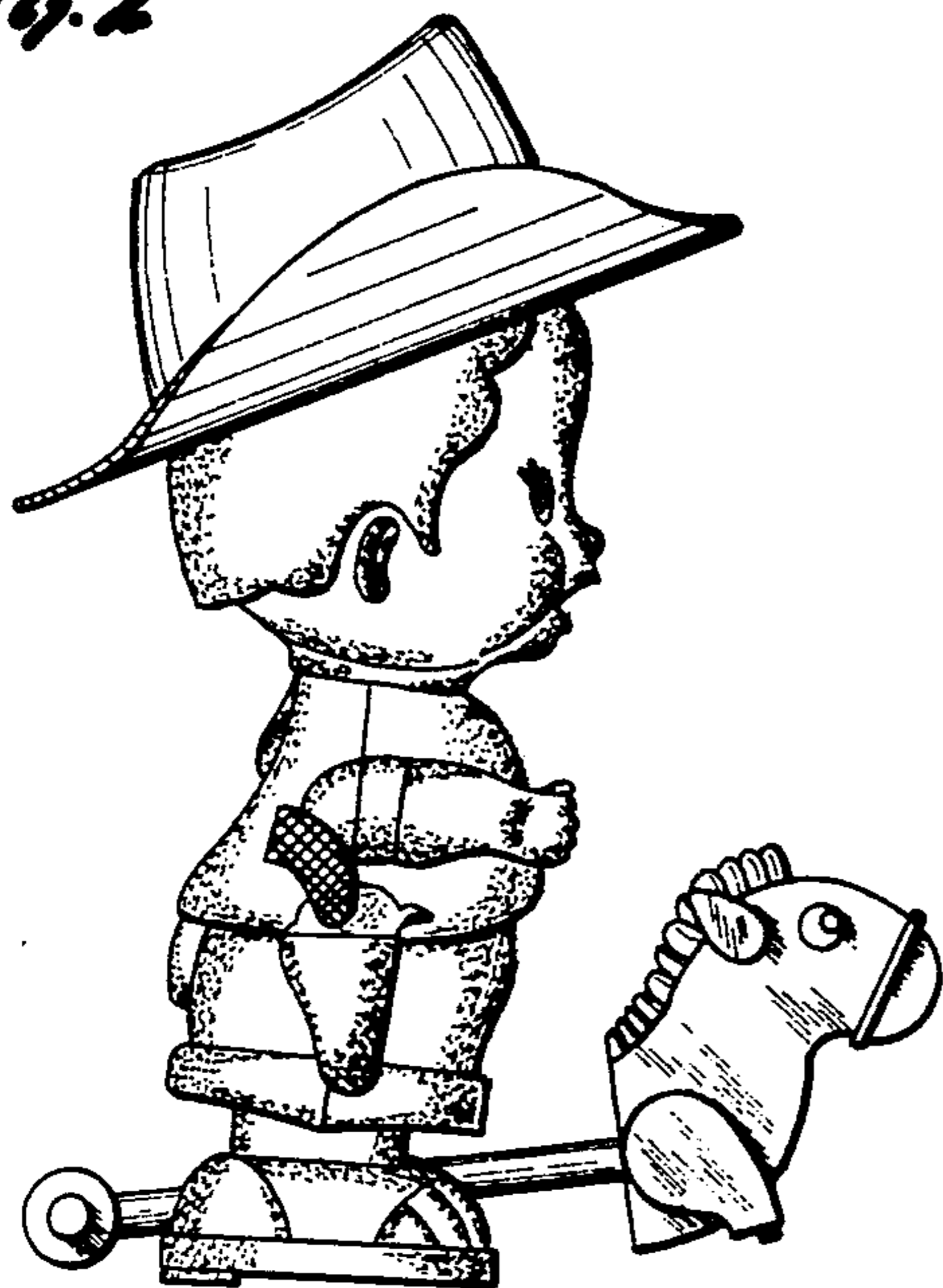


Fig. 3

