

[54] ELECTRIC CORD CONNECTOR

[75] Inventors: Robert L. Martin, Coventry; Donald F. Smith, Warwick, both of R.I.

[73] Assignee: General Electric Company, New York, N.Y.

[\*\*] Term: 14 Years

[21] Appl. No.: 41,562

[22] Filed: May 23, 1979

[51] Int. Cl. .... D13-03

[52] U.S. Cl. .... D13/30

[58] Field of Search ..... D13/24, 30, 28; 339/176 R, 176 M, 177 R, 181 R, 181 C, 94 R, 96, 166 R, 59 R, 61 R

[56] References Cited

U.S. PATENT DOCUMENTS

D. 59,216	10/1921	Hartmann .....	D13/30
D. 243,090	1/1977	Lawrence et al. ....	D13/30
2,869,093	1/1959	Benander .....	339/59 R
3,003,134	10/1961	Herman et al. ....	339/61 R

Primary Examiner—Susan J. Lucas

Attorney, Agent, or Firm—Paul E. Rochford; Walter C. Bernkopf; Philip L. Schlamp

[57] CLAIM

The ornamental design for an electric cord connector, as shown and described.

DESCRIPTION

FIG. 1 is a perspective view of one side of an electric cord connector illustrating our new design.

FIG. 2 is a perspective view of the other side of the electric cord connector illustrating the device of FIG. 1.

FIG. 3 is an end elevational view of one end of the electric cord connector of FIG. 1.

FIG. 4 is an end elevational view of the other end of the electric cord connector of FIG. 1.

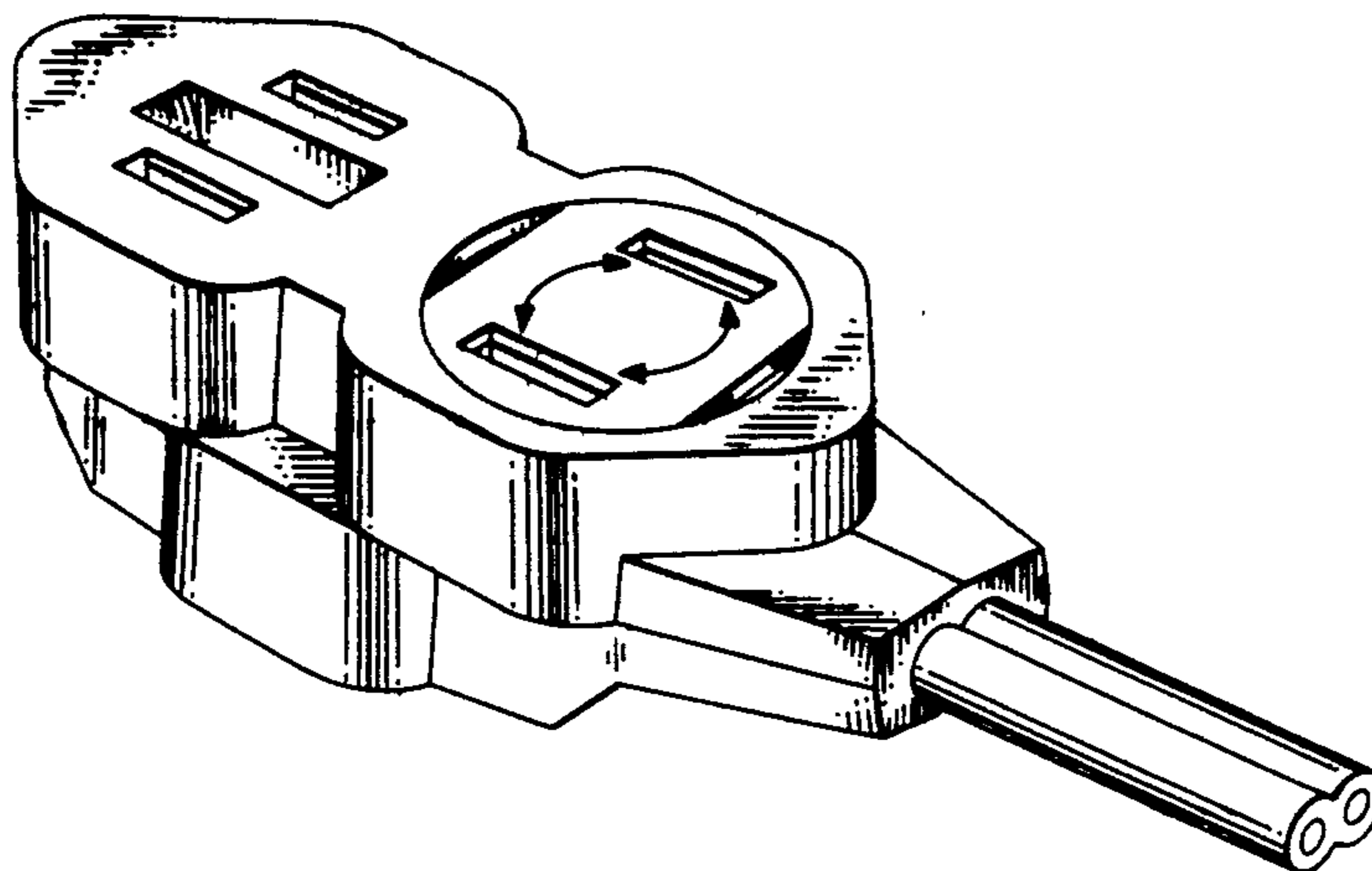
FIG. 5 is a top plan view of the electric cord connector as in FIG. 1.

FIG. 6 is a bottom plan view of the electric cord connector of FIG. 1.

FIG. 7 is a vertical side elevational view of one side of an electric cord connector illustrating our new design.

FIG. 8 is a vertical side elevational view of the other side of the electric cord connector of FIG. 7.

FIG. 9 is a top plan view of an alternative form of the electric cord connector as illustrated in FIG. 5.



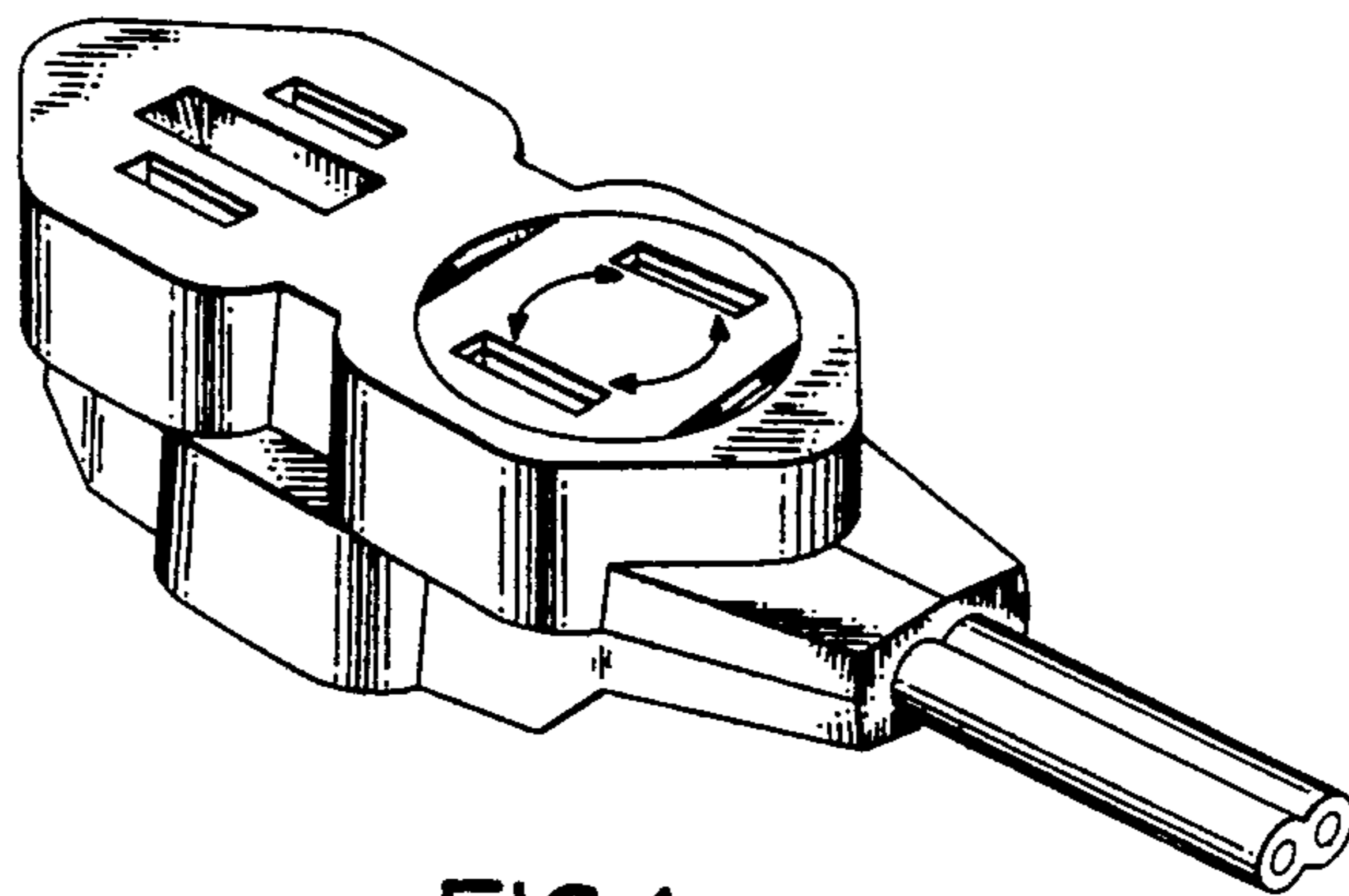


FIG. 1

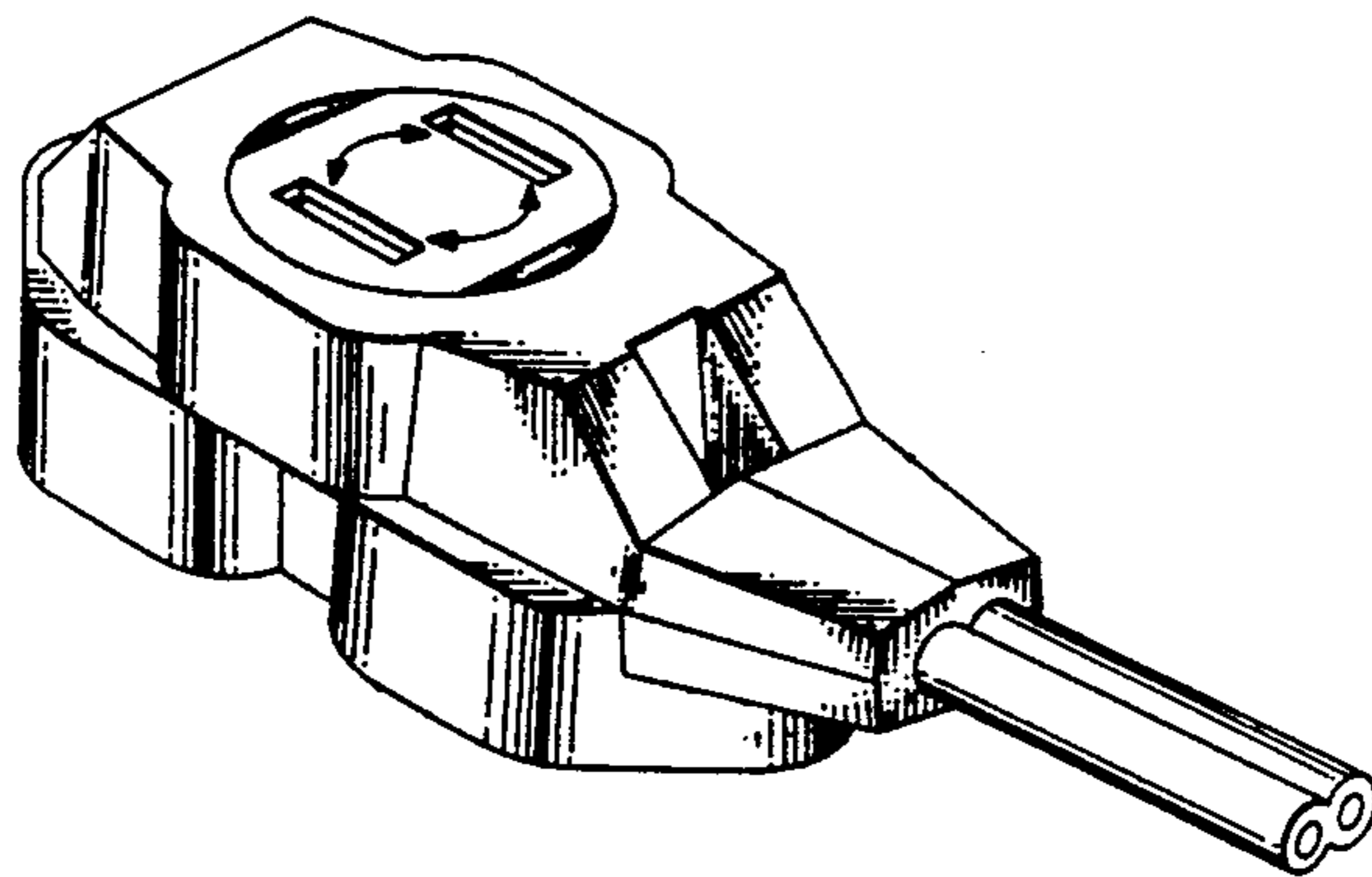


FIG. 2

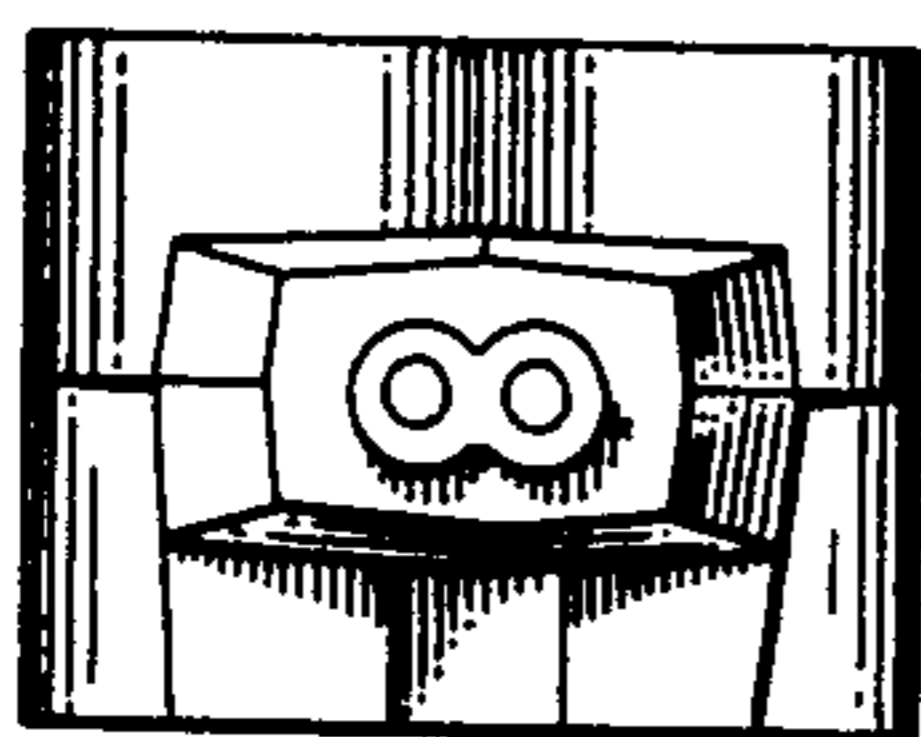


FIG. 3

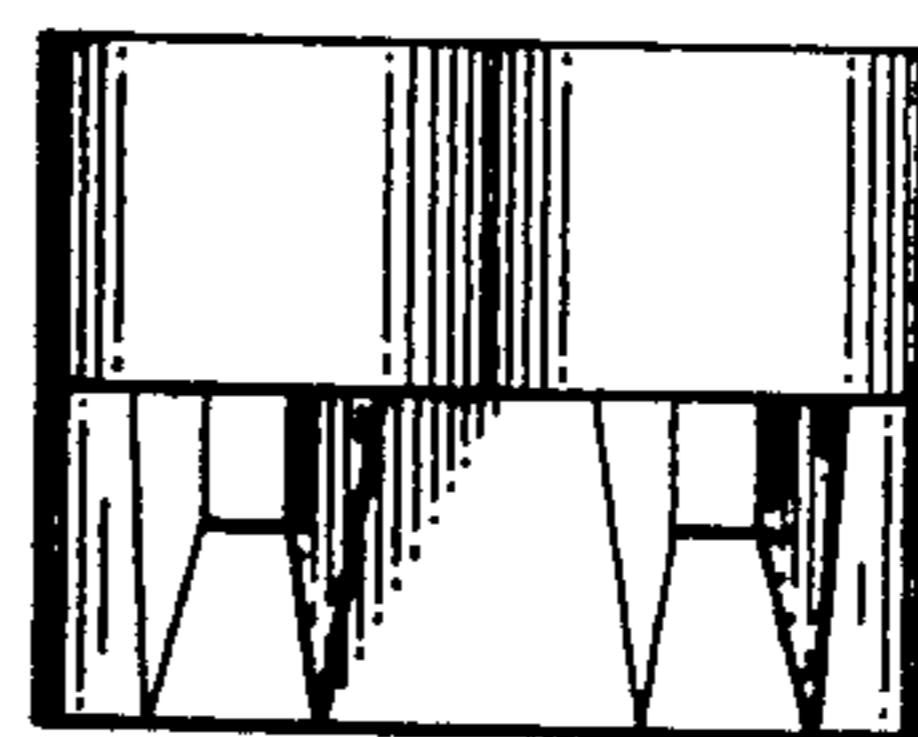


FIG. 4

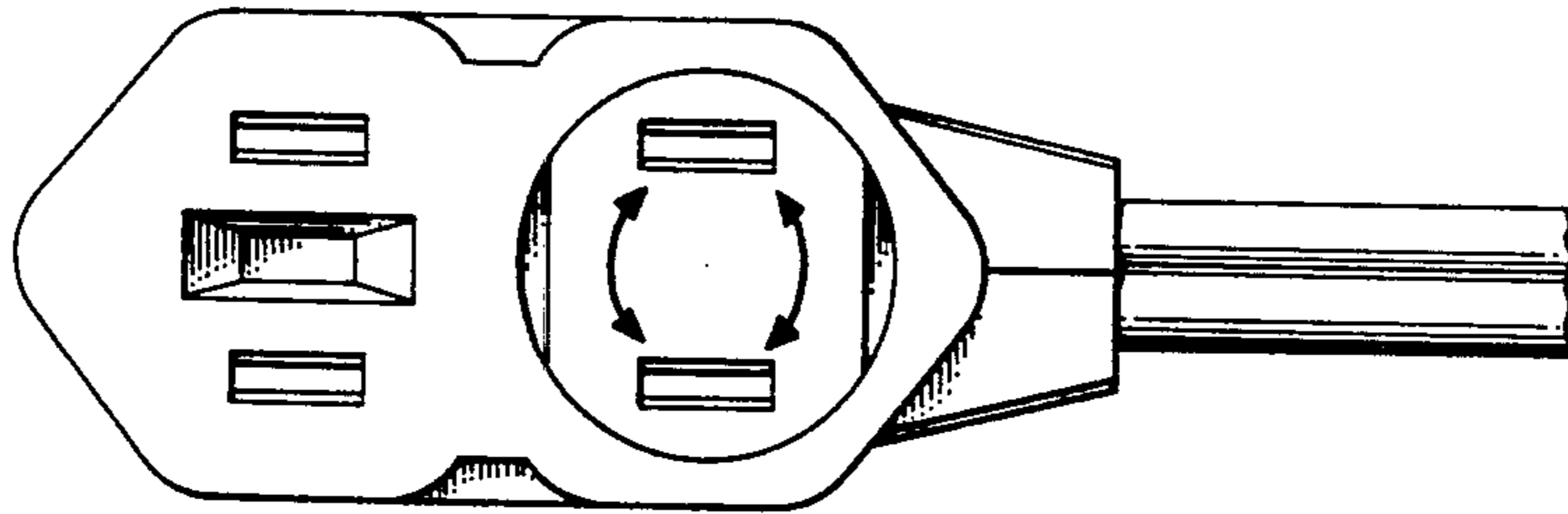


FIG. 5

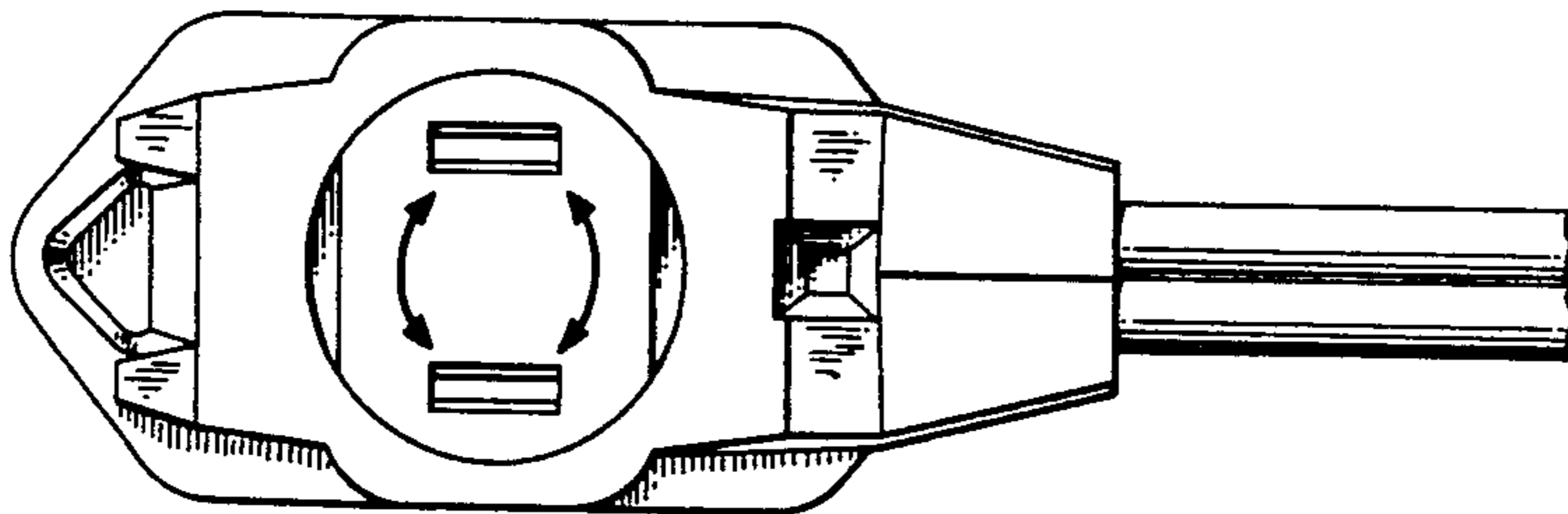


FIG. 6

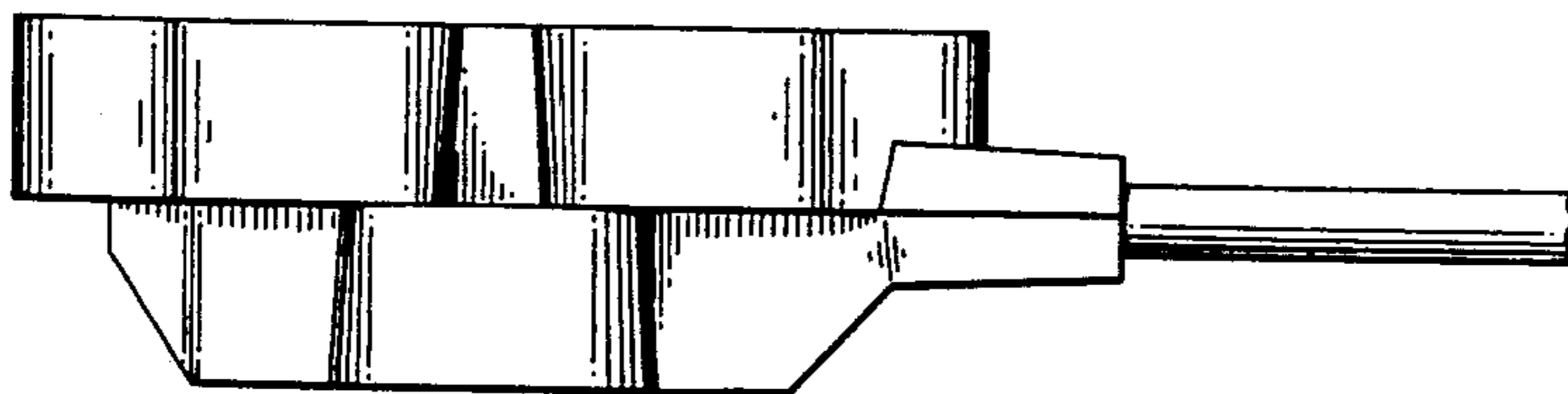


FIG. 7

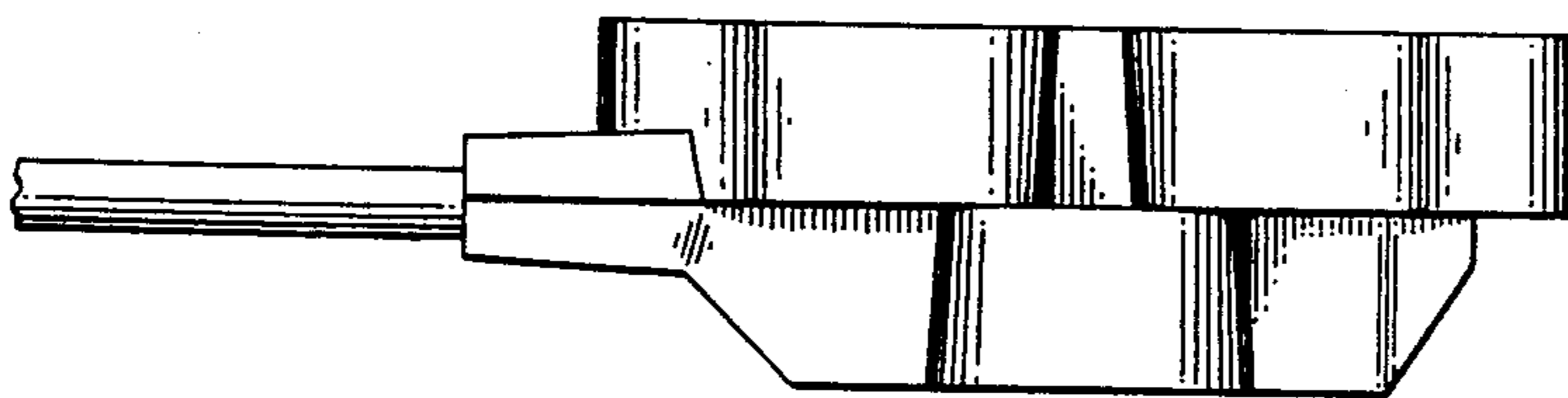


FIG. 8

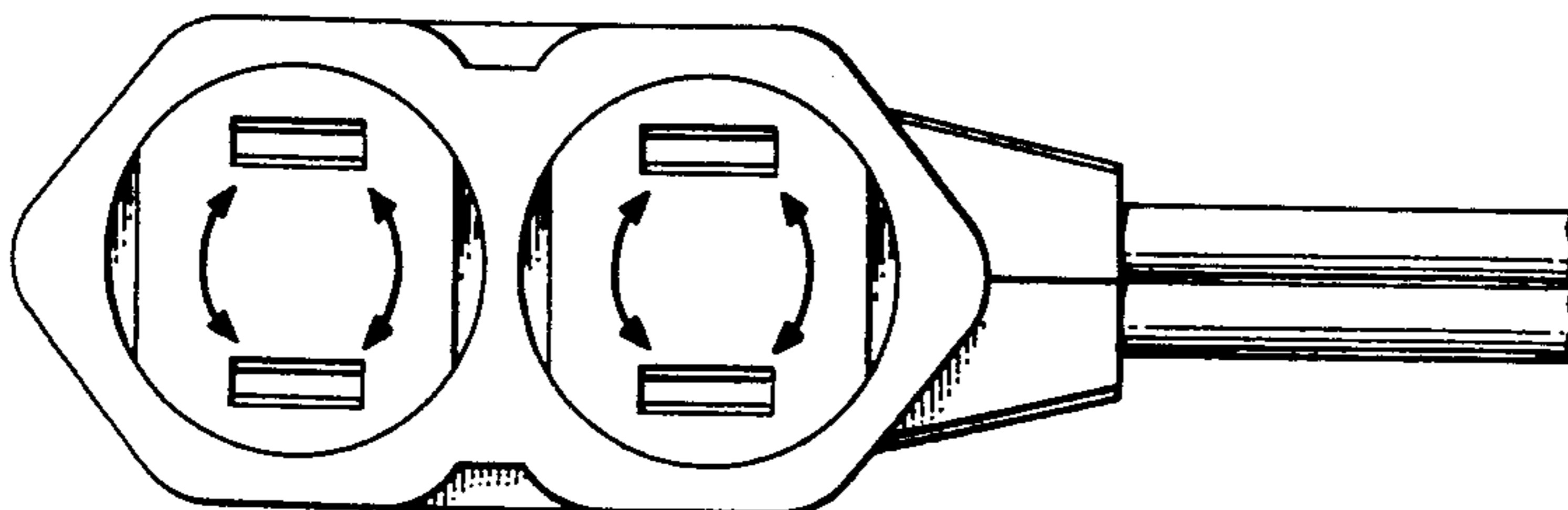


FIG. 9