

[54] TIRE

[75] Inventor: **Guy Amarger**, Clermont-Ferrand, France

[73] Assignee: **Compagnie Generale des Etablissements Michelin**, Clermont-Ferrand, France

[**] Term: **14 Years**

[21] Appl. No.: **951,842**

[22] Filed: **Oct. 16, 1978**

[30] **Foreign Application Priority Data**

Apr. 25, 1978 [FR] France 78 558

[51] Int. Cl. **D12-15**

[52] U.S. Cl. **D12/147**

[58] Field of Search **D12/141-143, D12/146-151; 152/209 R, 209 A, 209 B, 209 D**

[56]

References Cited

U.S. PATENT DOCUMENTS

| | | | |
|------------|---------|-------------------------|-----------|
| D. 57,948 | 5/1921 | Switzer | D12/146 |
| D. 74,929 | 4/1928 | Keaton | D12/148 |
| D. 189,228 | 11/1960 | Rice et al. | D12/146 |
| D. 190,985 | 7/1961 | Blankenship et al. | D12/147 |
| 3,841,373 | 10/1974 | Gilreath | 152/209 R |

Primary Examiner—James M. Gandy
Attorney, Agent, or Firm—Brumbaugh, Graves, Donohue & Raymond

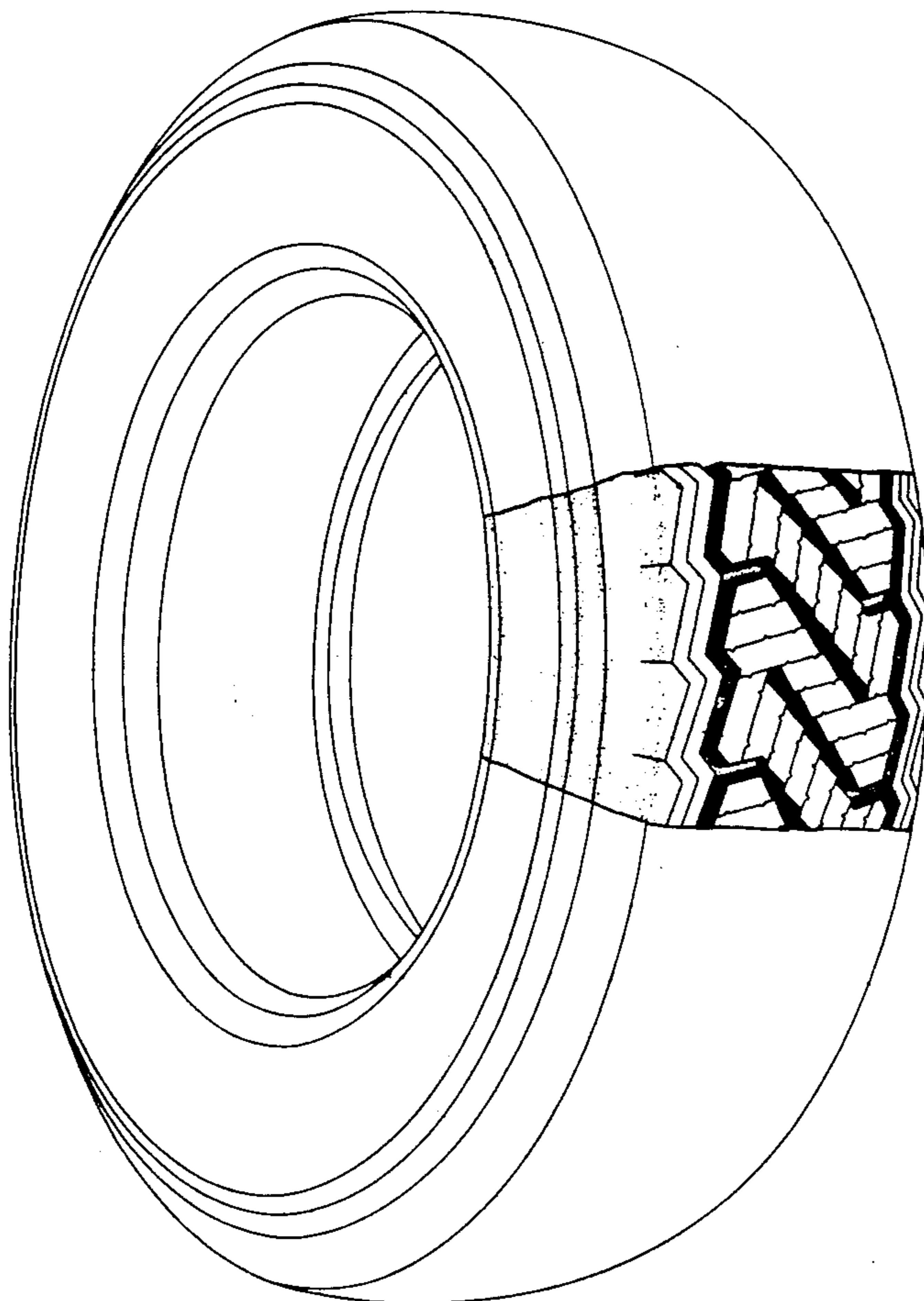
[57]

CLAIM

The ornamental design for a tire, substantially as shown and described.

DESCRIPTION

The FIGURE is a perspective view of a tire showing my new design, it being understood that the pattern is repeated throughout the circumference of the tire, as shown schematically by solid lines, the opposite side being substantially the same as that shown.



U.S. Patent

Jun. 23, 1981

Des. 259,632

