

[54] **COMBINED PLANTER AND WATERING DEVICE**

[76] Inventor: **Rean O. Titus**, 4436 Mt. Elliott, Detroit, Mich. 48207

[\*\*] Term: **14 Years**

[21] Appl. No.: **73,548**

[22] Filed: **Sep. 7, 1979**

[51] Int. Cl. .... **D11-02**

[52] U.S. Cl. .... **D11/144; D11/152; D11/164**

[58] Field of Search ..... **D11/143-145, D11/149, 151-156, 164; 47/41, 41.12, 41.13, 59-69, 71, 72, 79-87**

[56] **References Cited**

**U.S. PATENT DOCUMENTS**

D. 182,130	2/1958	Luipersbek .....	D11/154
D. 235,364	6/1975	Fassauer .....	D11/152
2,638,716	5/1953	Luipersbek .....	47/79

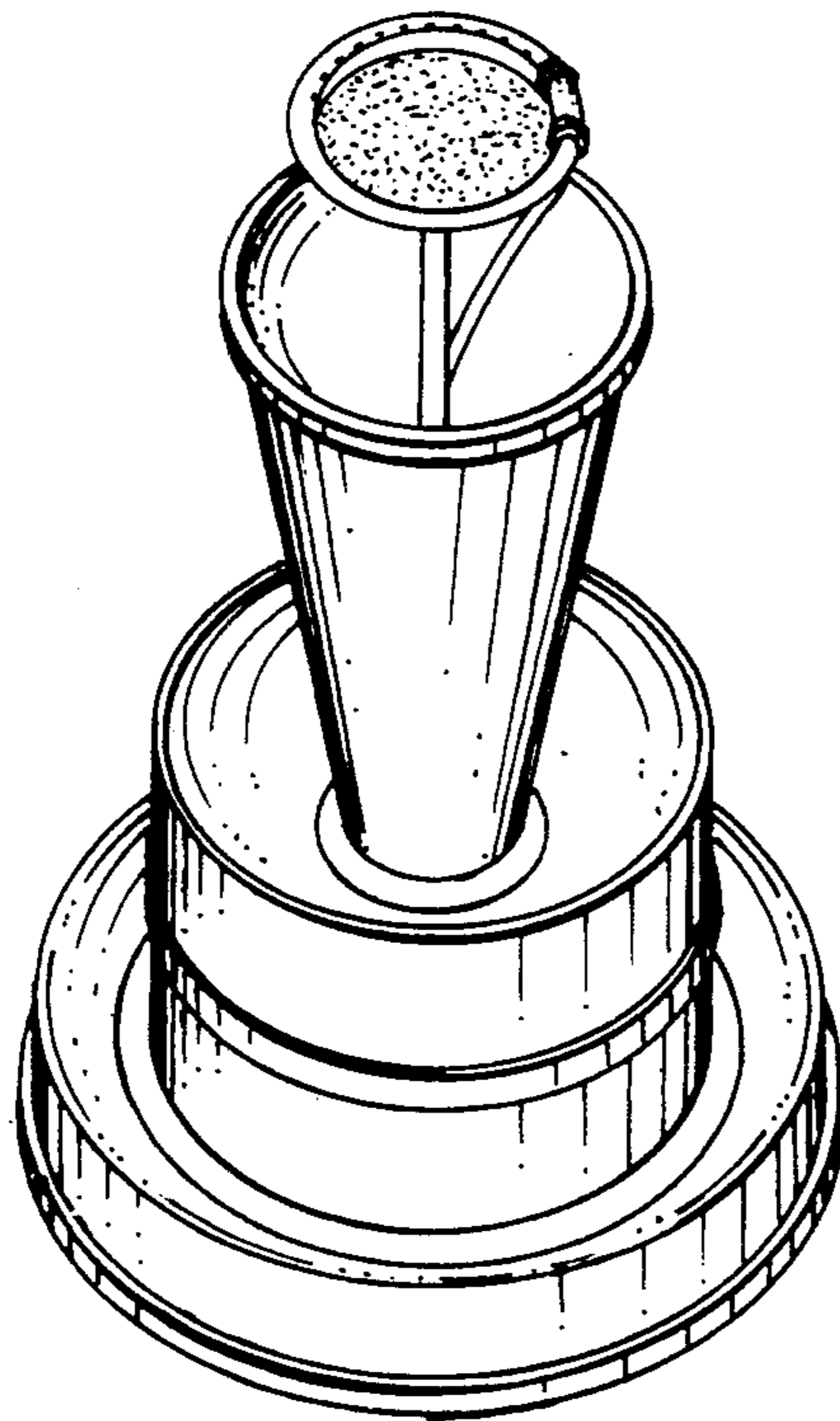
*Primary Examiner*—B. J. Bullock  
*Attorney, Agent, or Firm*—Whittemore, Hulbert & Belknap

[57] **CLAIM**

The ornamental design for a combined planter and watering device, as shown.

**DESCRIPTION**

FIG. 1 is a perspective view of the planter showing my new design;  
FIG. 2 is a side elevational view shown partially in section for clarity of illustration;  
FIG. 3 is a bottom plan view.



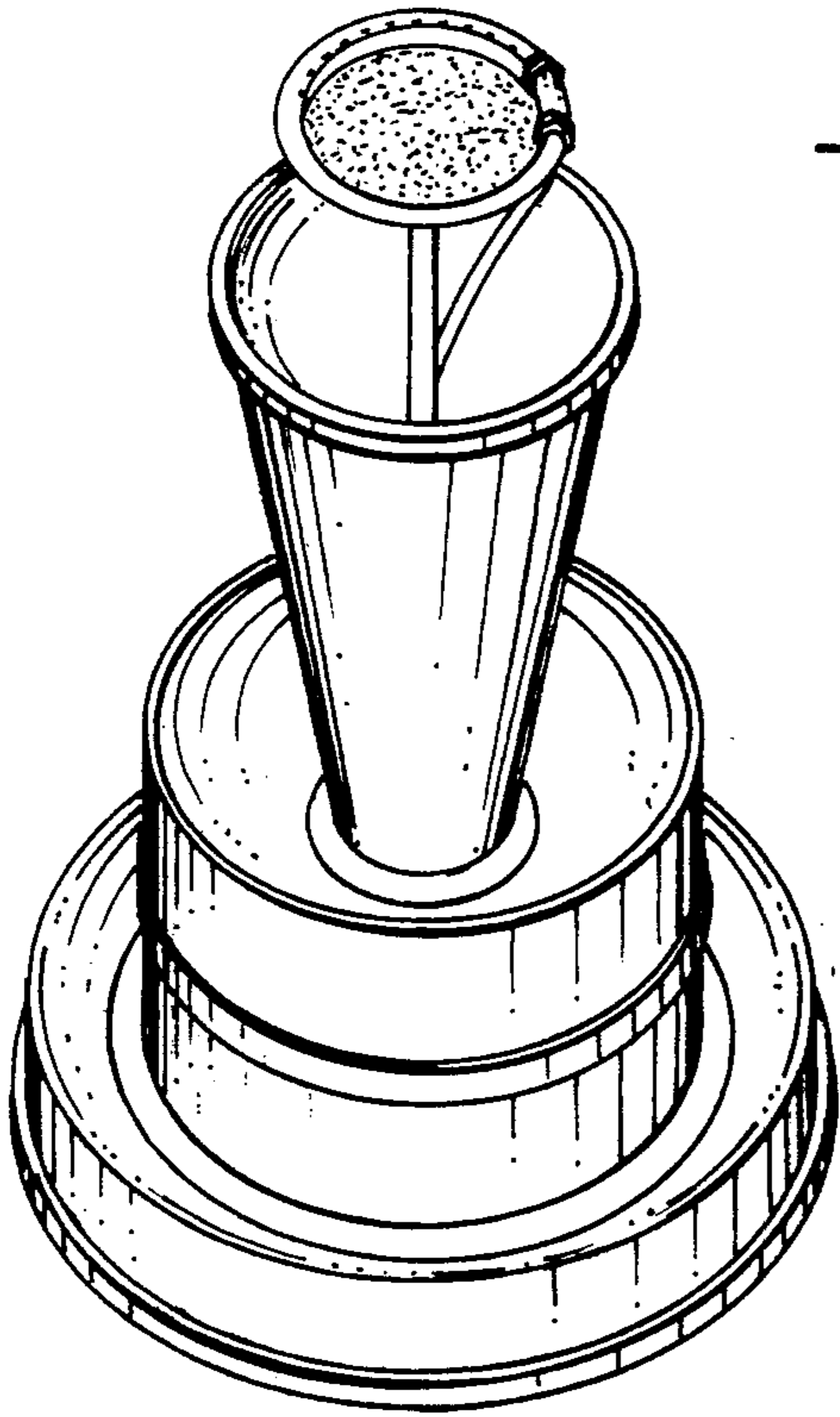


FIG. 1

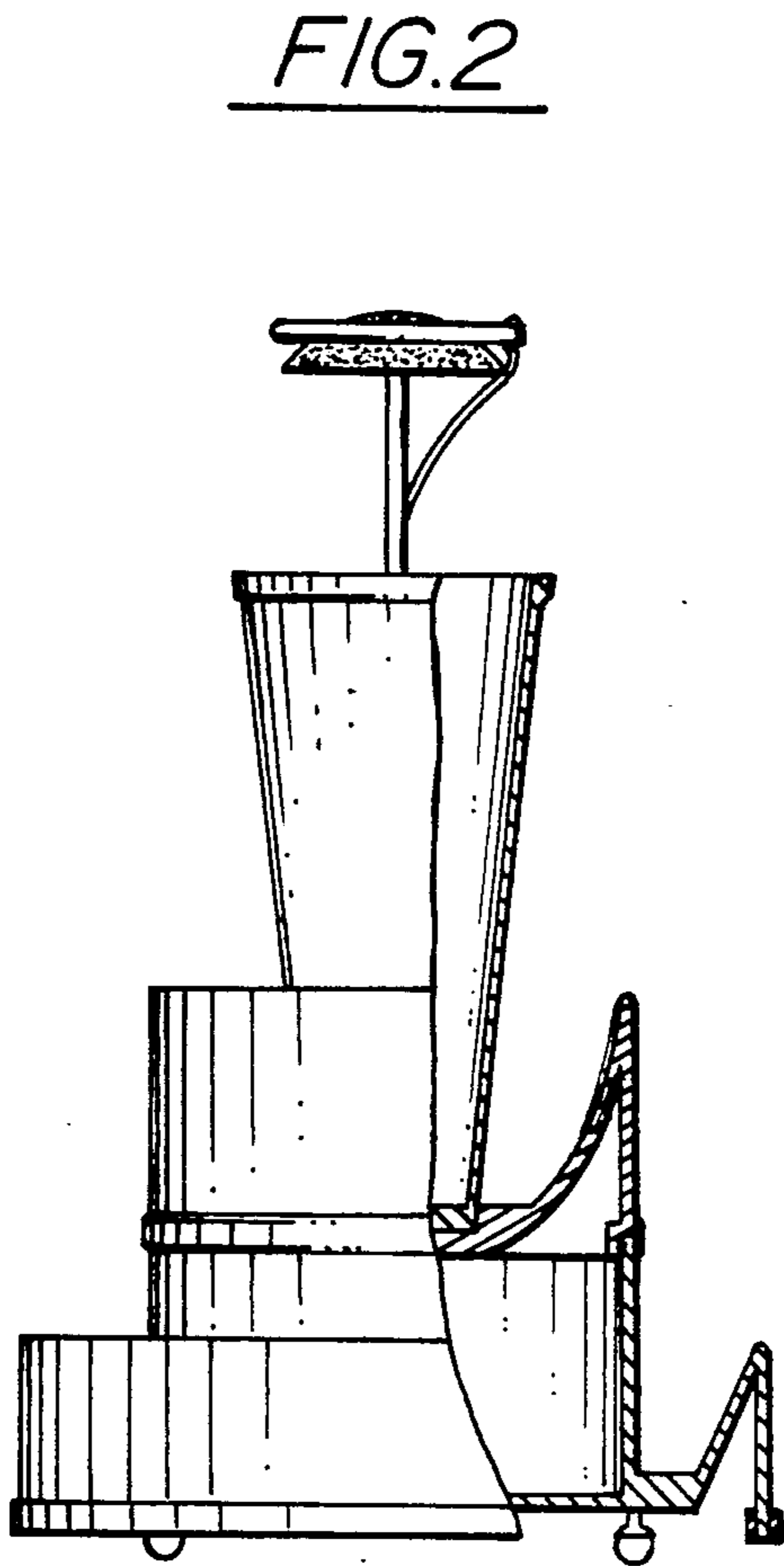


FIG. 2

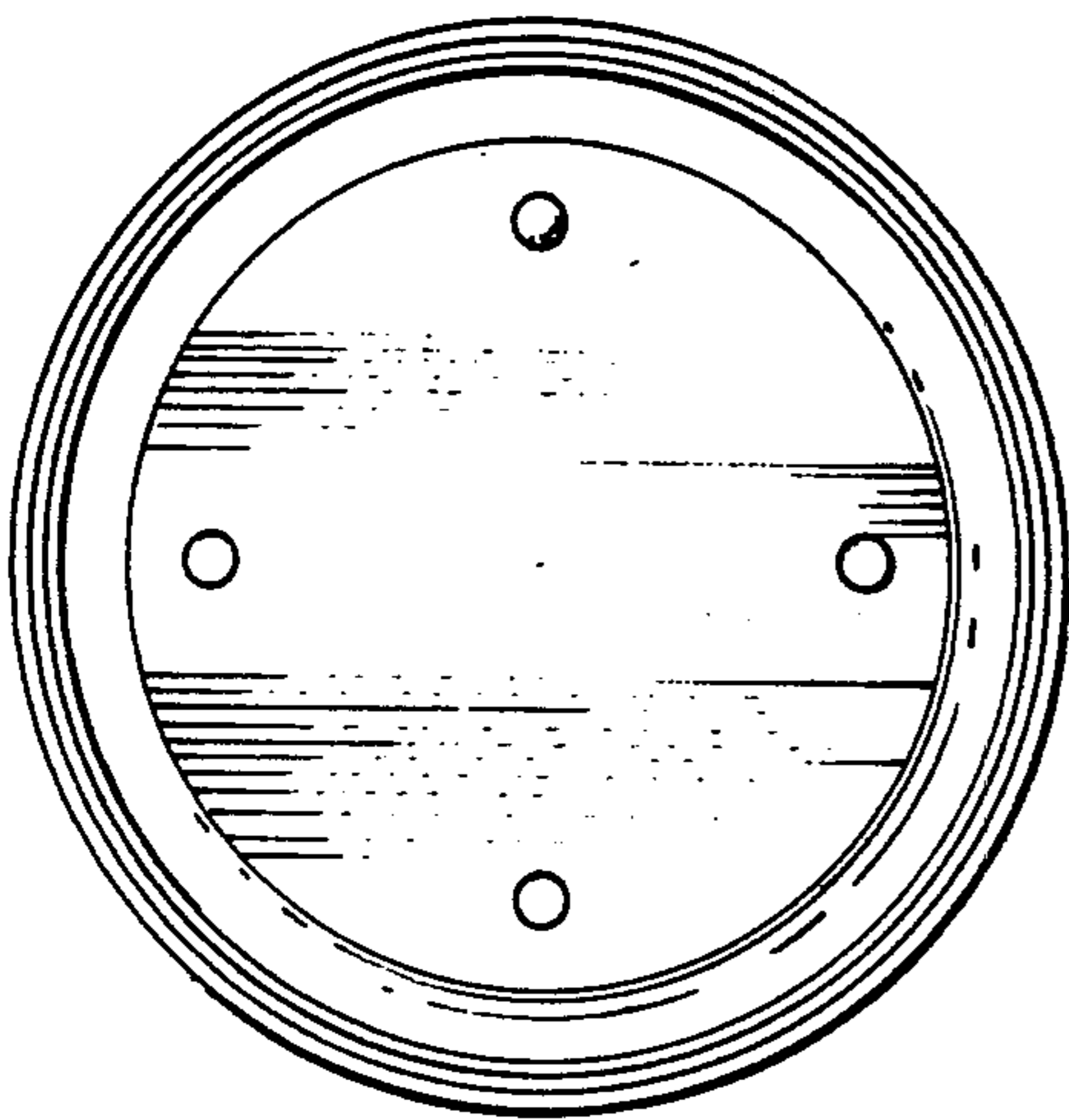


FIG. 3