

[54] CONTAINER FOR ICE CREAM OR OTHER PRODUCTS IN BULK

[75] Inventors: Robert S. Hamilton; John R. Sneed, both of Columbus, Ohio

[73] Assignee: Liqui-Box Corporation, Columbus, Ohio

[\*\*] Term: 14 Years

[21] Appl. No.: 556

[22] Filed: Dec. 26, 1978

[51] Int. Cl. .... D9-03

[52] U.S. Cl. .... D9/428

[58] Field of Search ..... D9/216, 218, 220; 229/1.5 B, 2.5, 3.1, 3.5 R, 4.5

[56] References Cited

U.S. PATENT DOCUMENTS

D. 219,575	12/1970	Douglas .....	D9/220
D. 230,956	3/1974	Bystedt et al. ....	D9/216
D. 235,246	6/1975	Evans, Jr. et al. ....	D9/220 X
D. 245,295	2/1980	Reynolds et al. ....	D9/220
3,206,016	9/1965	Fowle et al. ....	D9/216 X

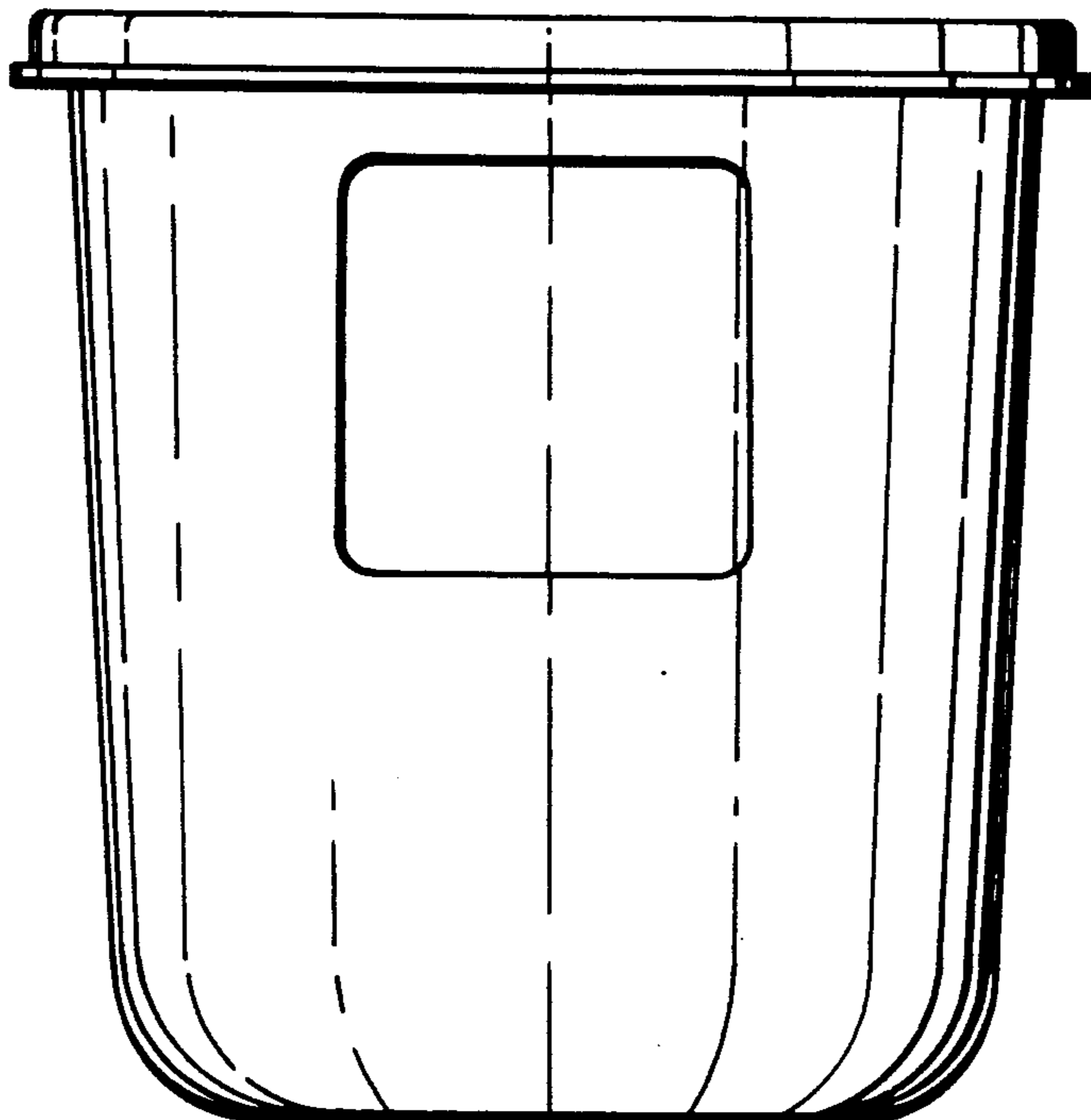
Primary Examiner—Robert C. Spangler  
Attorney, Agent, or Firm—William V. Miller

[57] CLAIM

The ornamental design for a container for ice cream or other products in bulk, substantially as shown.

DESCRIPTION

FIG. 1 is a top plan view of a container for ice cream or other products in bulk showing our new design; FIG. 2 is a side elevational view; FIG. 3 is a bottom plan view; and FIG. 4 is a vertical sectional view taken on the line 4-4 of FIG. 1.



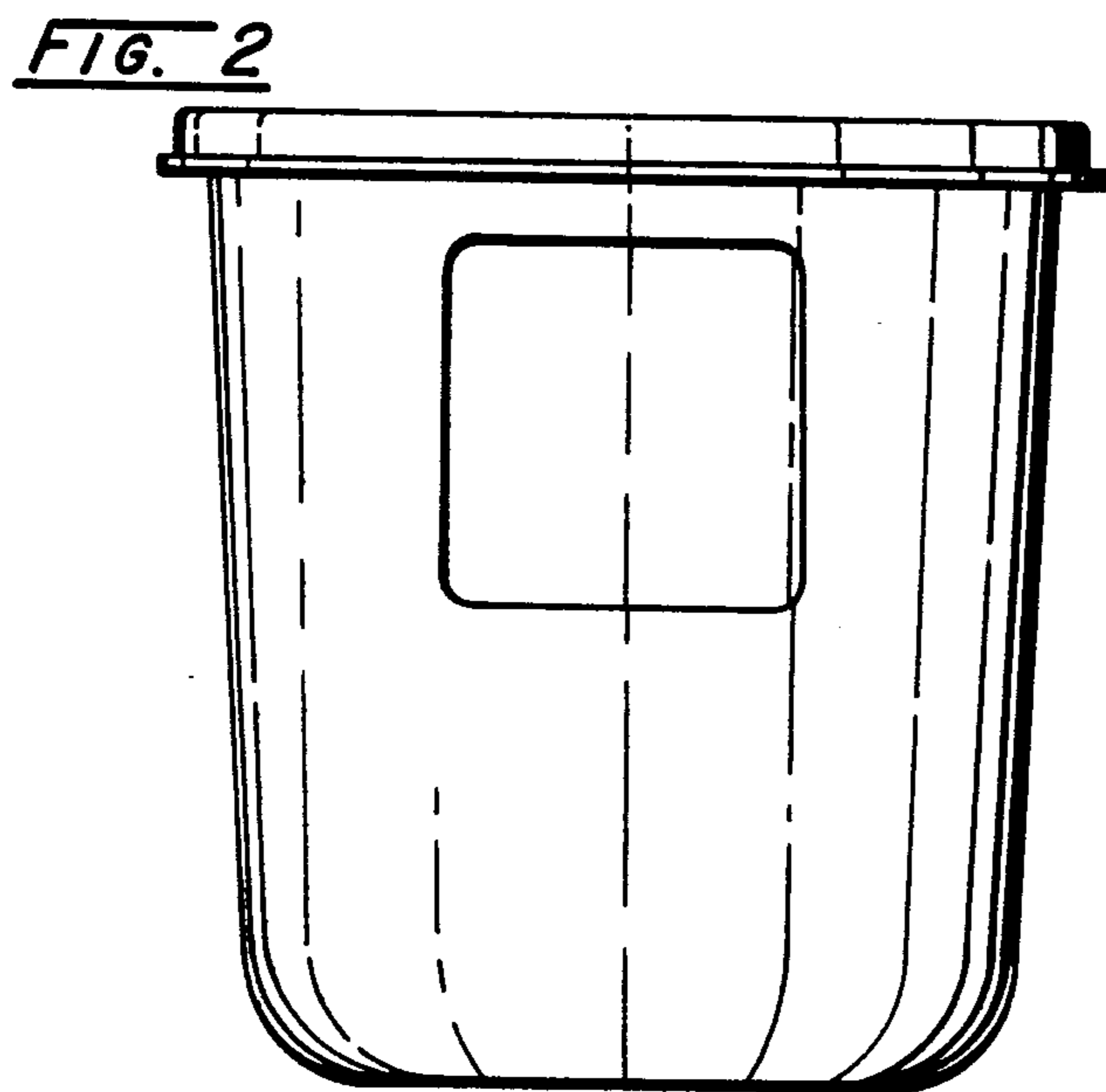
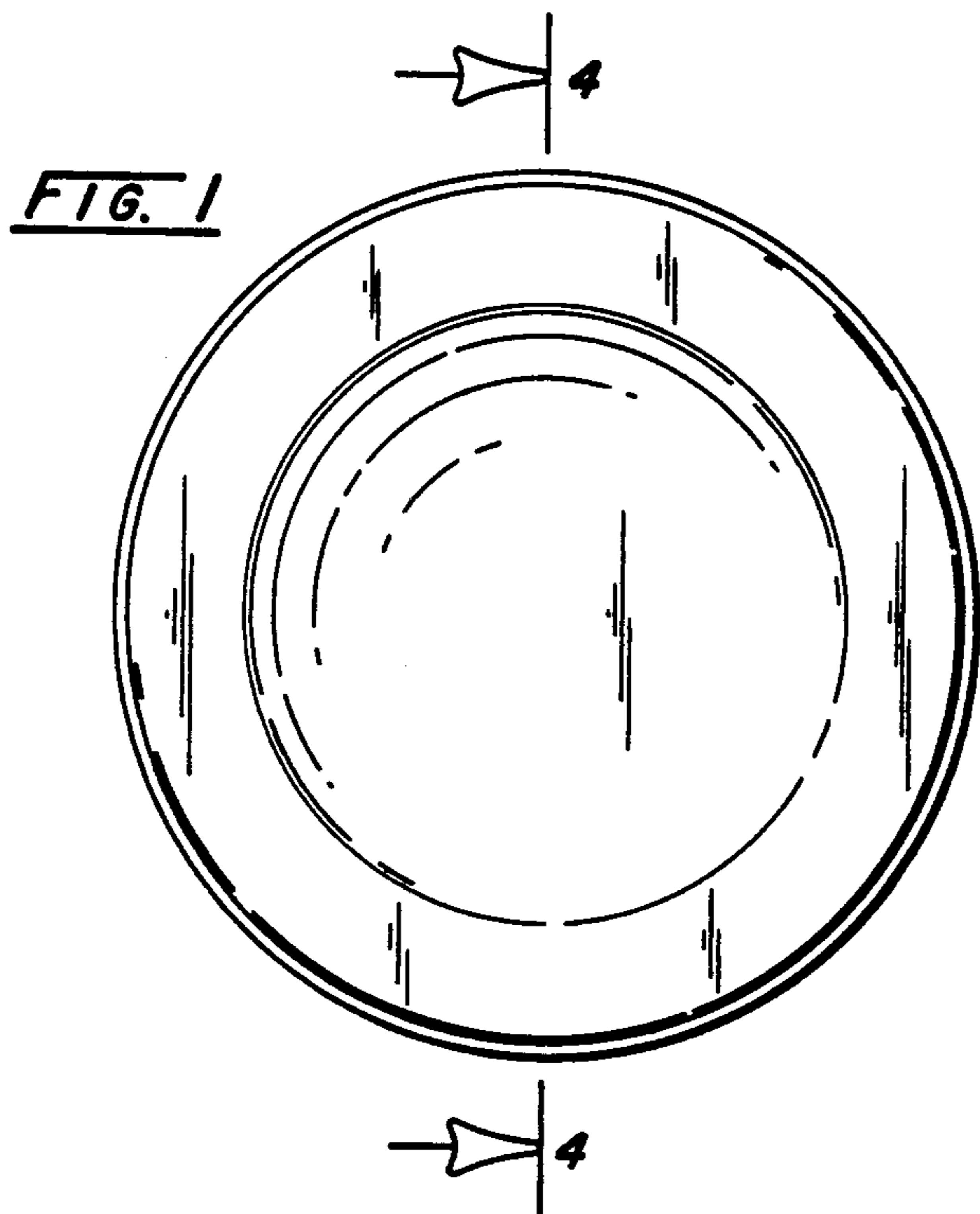


FIG. 3

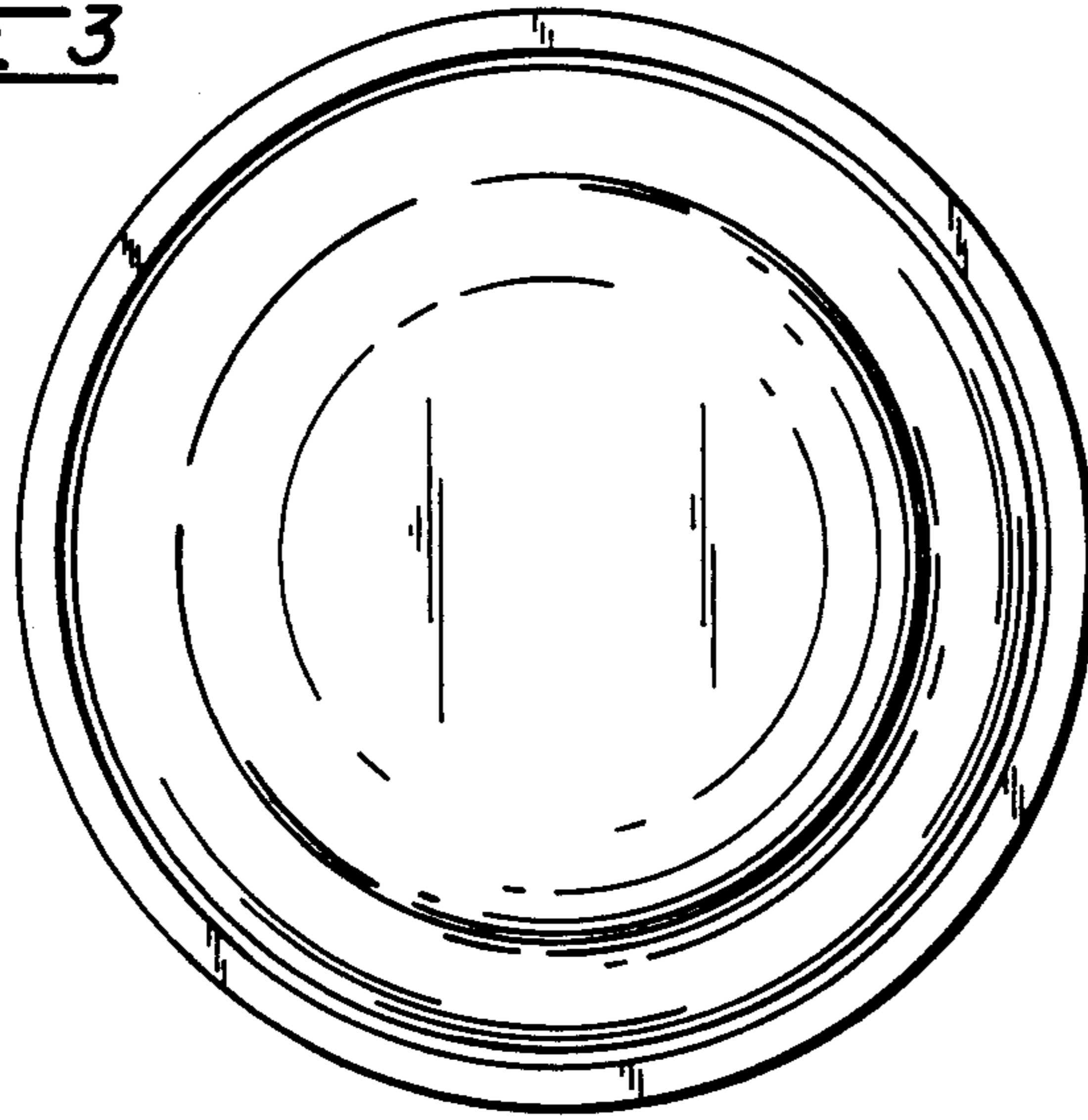


FIG. 4

