

[54] **CAMPFIRE GRILL**

1,333,335 3/1920 O'Kane ..... 126/29

[76] Inventor: **Vance P. Braxton, III**, Lesterville, Mo. 63654

*Primary Examiner*—Catherine E. Kemper  
*Attorney, Agent, or Firm*—Senniger, Powers, Leavitt and Roedel

[\*\*] Term: **14 Years**

[21] Appl. No.: **98,209**

[57] **CLAIM**

[22] Filed: **Nov. 28, 1979**

The ornamental design for a campfire grill, substantially as shown and described.

[51] Int. Cl. .... **D7-02**

**DESCRIPTION**

[52] U.S. Cl. .... **D7/107**

[58] **Field of Search** ..... D7/107, 108, 109, 110;  
126/25 R, 25 A, 25 AA, 25 B, 25 C, 29, 30, 9 R,  
9 A, 9 B

FIG. 1 is a view in perspective of a campfire grill showing my new design;

FIG. 2 is a top plan view thereof;

FIG. 3 is a bottom plan view thereof;

FIG. 4 is a front elevational view thereof;

FIG. 5 is a rear elevational view thereof;

FIG. 6 is a right side elevational view thereof; and

FIG. 7 is a left side elevational view thereof.

[56] **References Cited**

**U.S. PATENT DOCUMENTS**

1,221,514 4/1917 Crain ..... 126/29

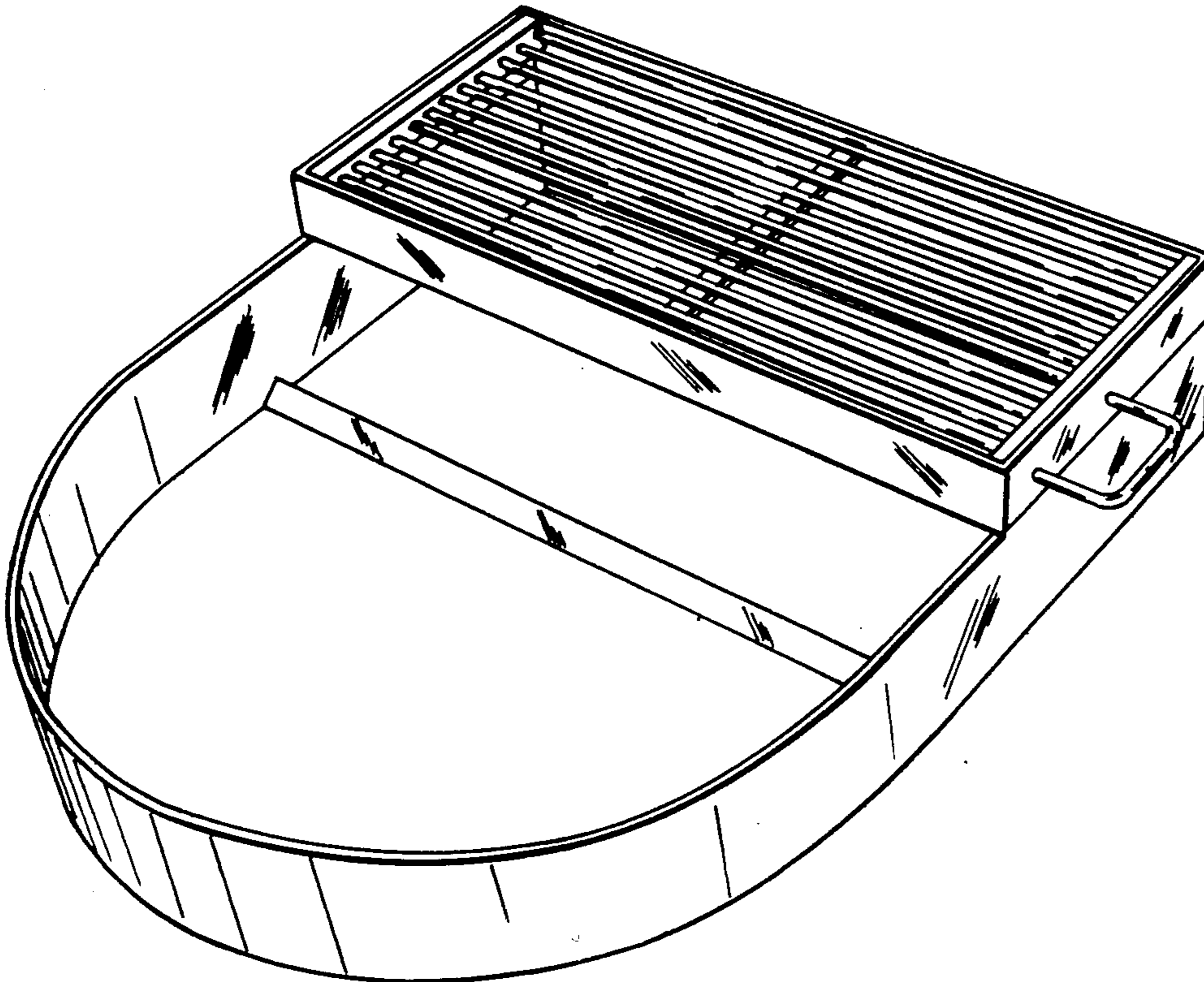


FIG. 1

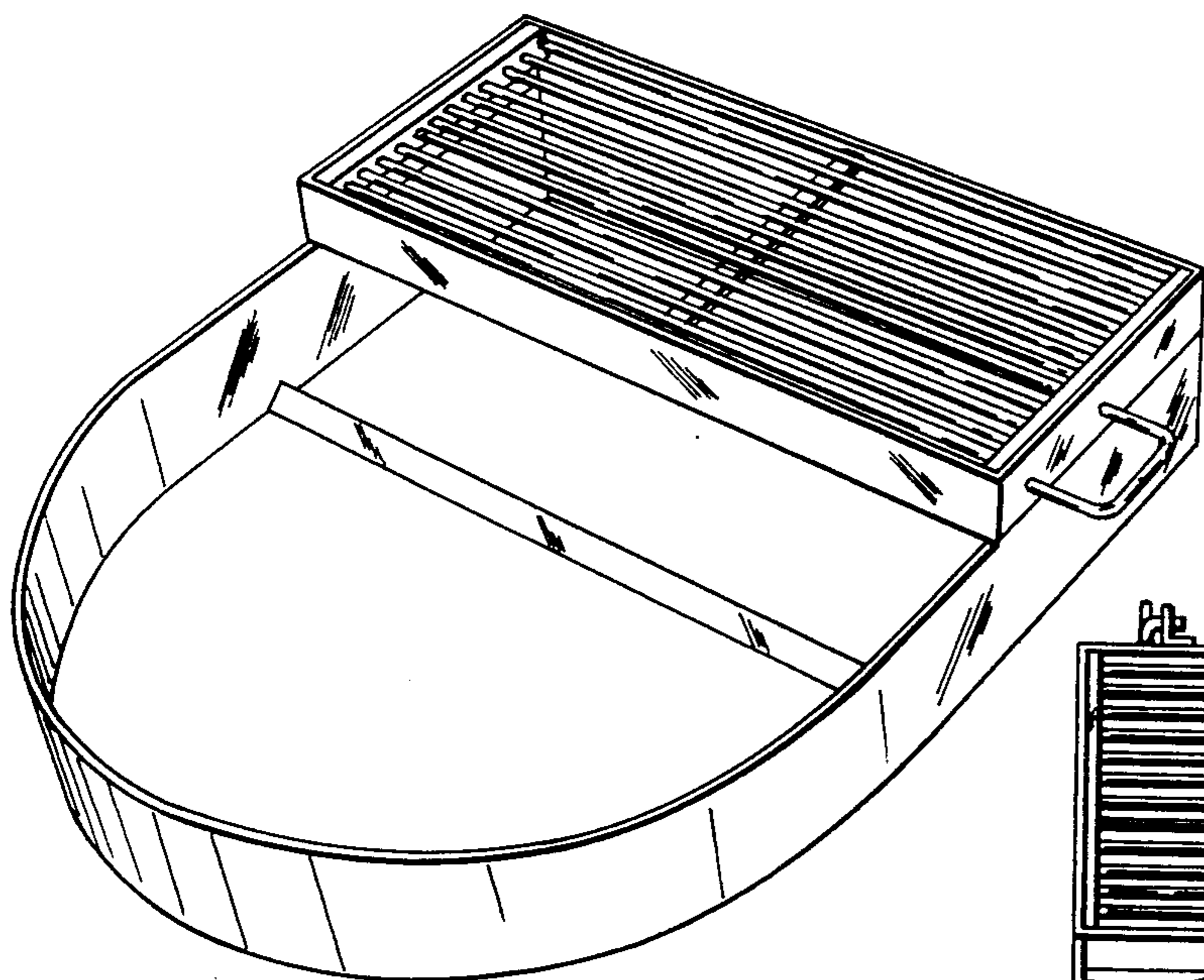


FIG. 2

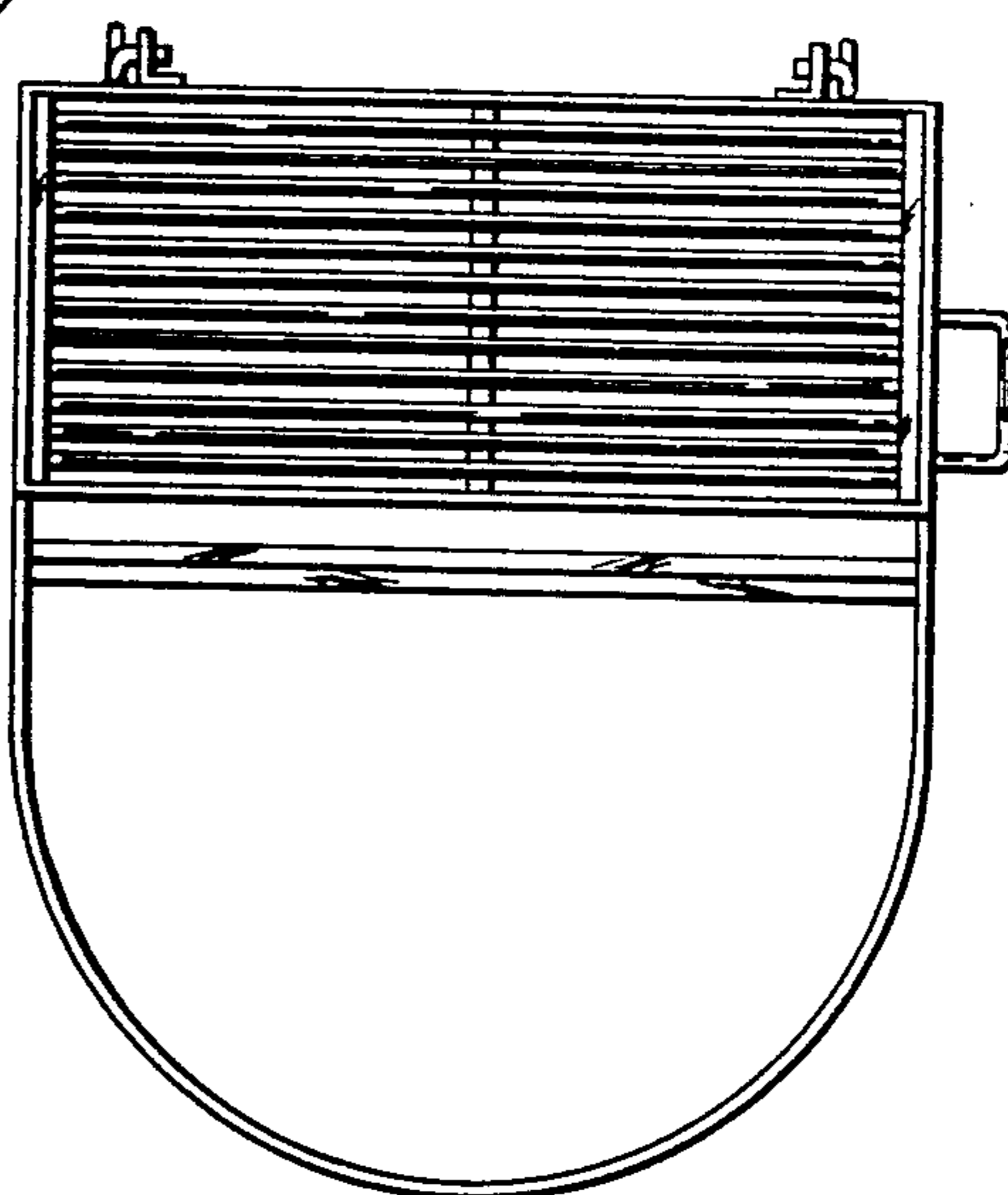


FIG. 3

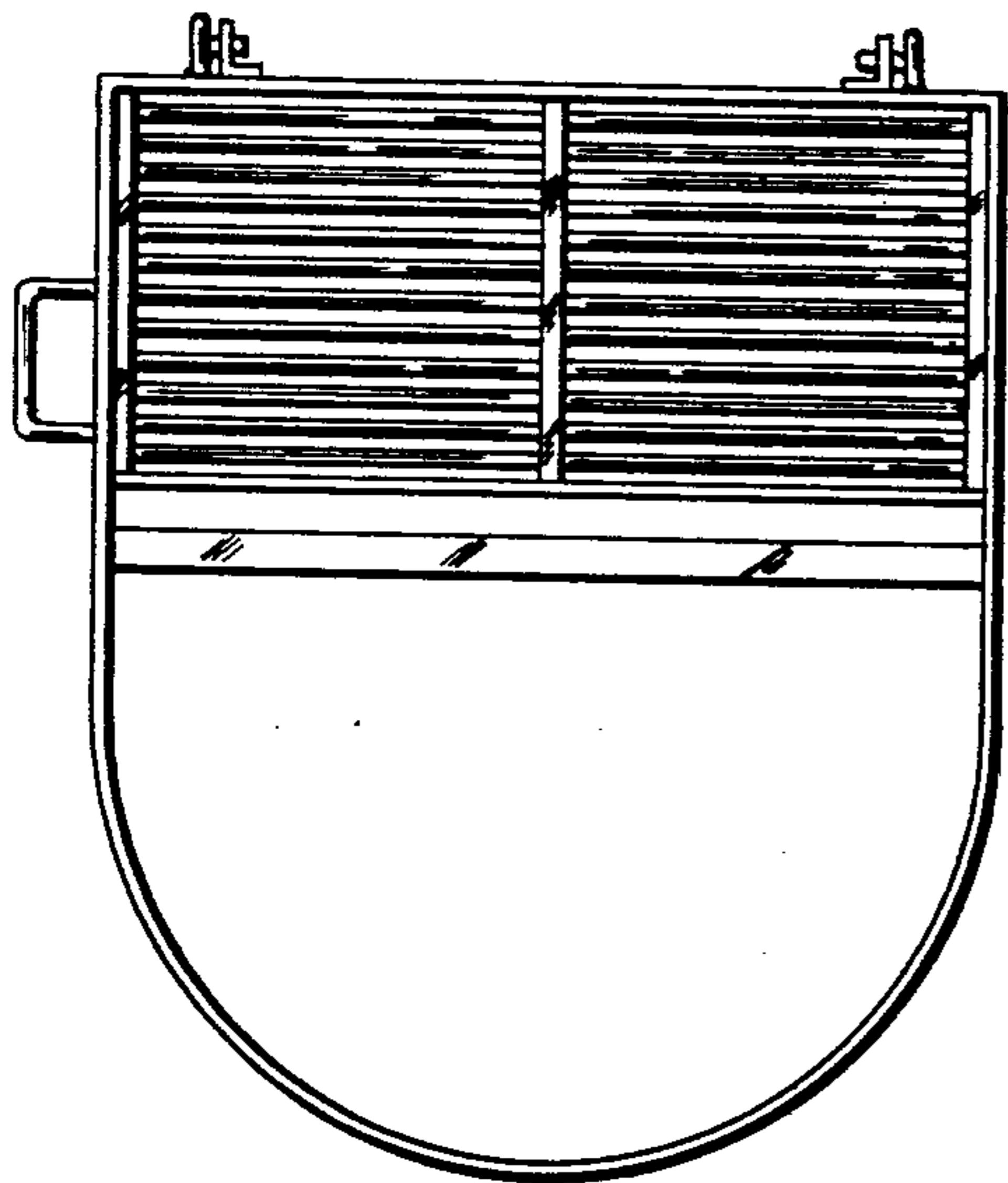


FIG. 4

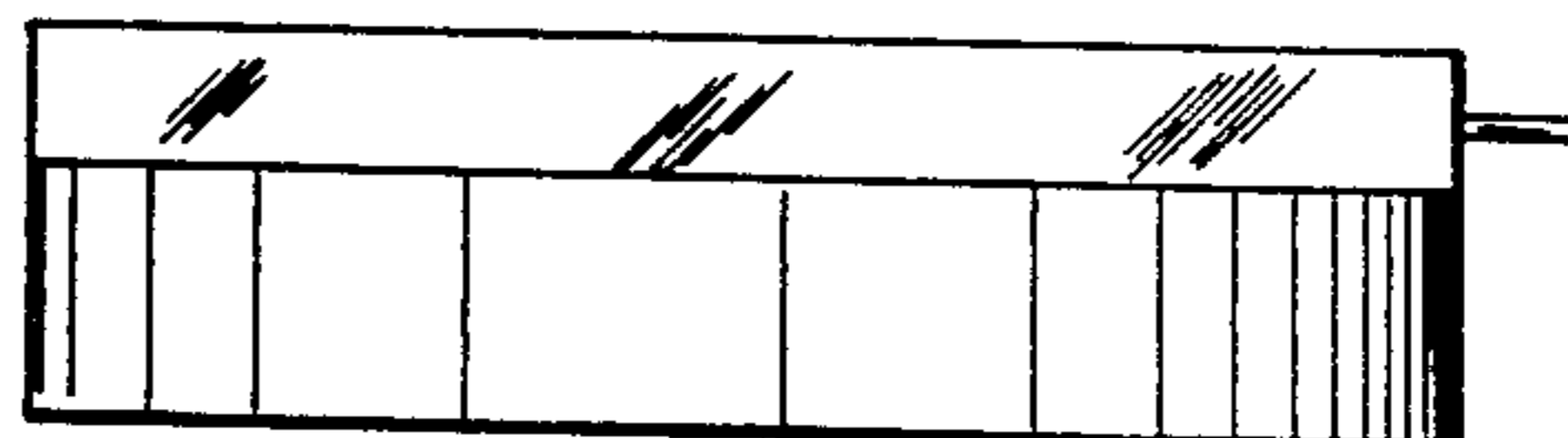


FIG. 5

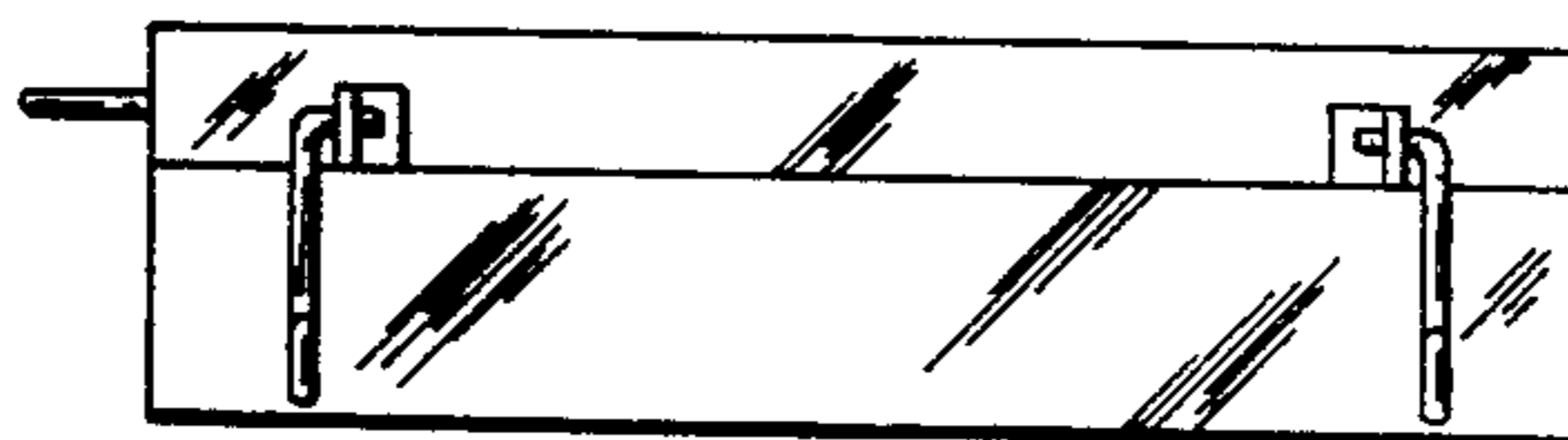


FIG. 6

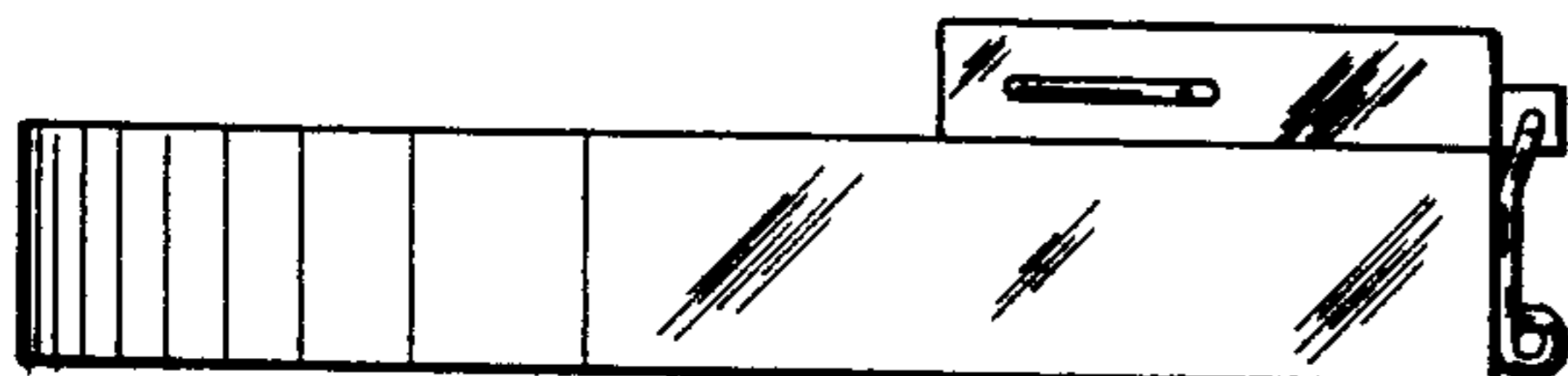


FIG. 7

