

[54] PORTABLE COOLER

[76] Inventor: George A. Morris, Jr., 720 Fair Oaks Manor, Atlanta, Ga. 30327

[\*\*] Term: 14 Years

[21] Appl. No.: 51,529

[22] Filed: Jun. 25, 1979

[51] Int. Cl. .... D07-99; D09-03

[52] U.S. Cl. .... D7/76; D3/73; D3/76; D9/421

[58] Field of Search ..... D7/76, 77; D3/76, 73; D9/180, 232; 229/52 B

[56] References Cited

U.S. PATENT DOCUMENTS

D. 100,025	6/1936	Jepson .....	D9/232
D. 176,030	11/1955	Muhs et al. ....	D3/76
1,293,801	2/1919	Kitt .....	229/52 B X

2,151,733	3/1939	Bonfield .....	229/52 B X
3,927,824	12/1975	Razziano .....	229/41 B X
4,017,019	4/1977	Booth .....	229/52 B X

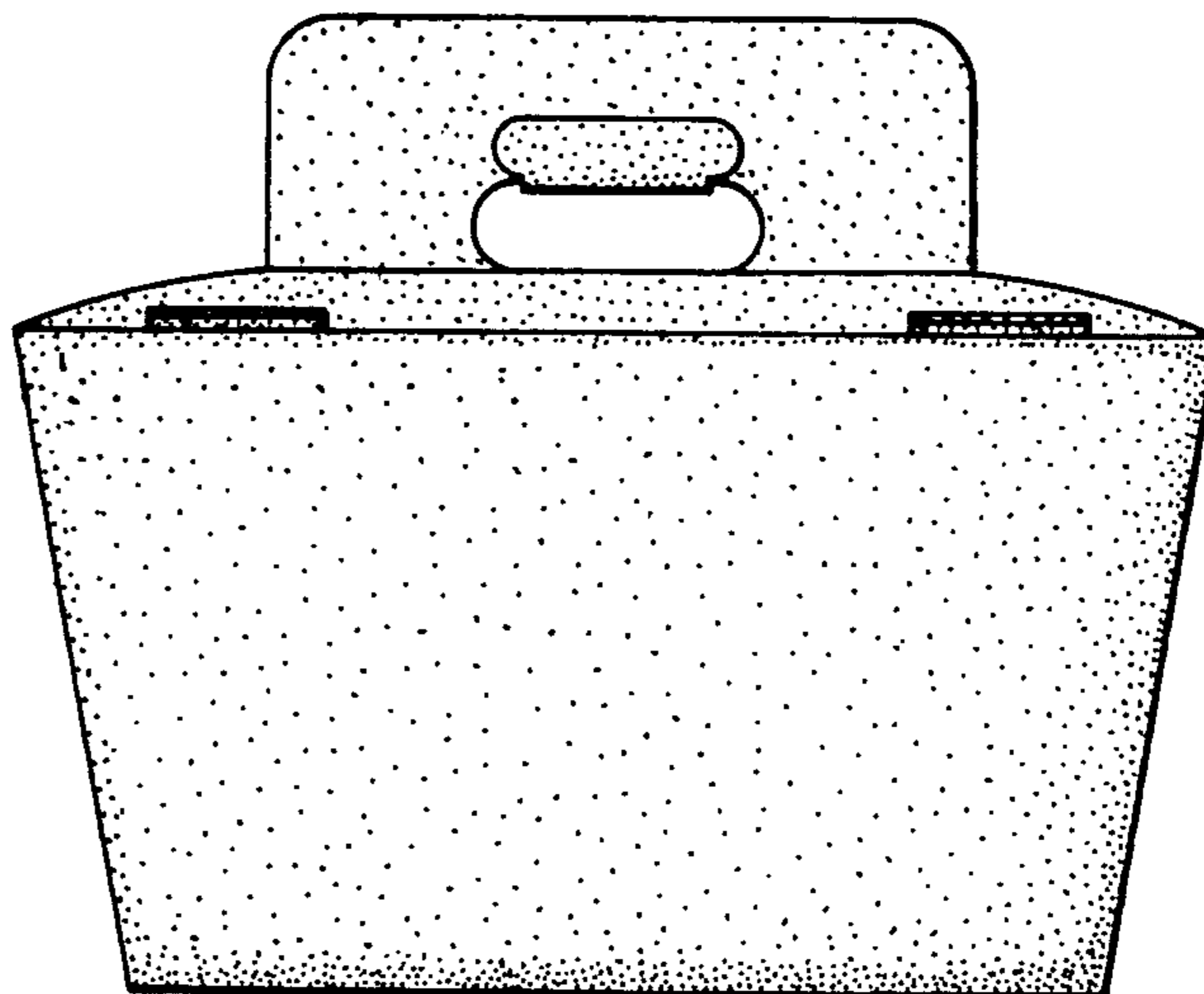
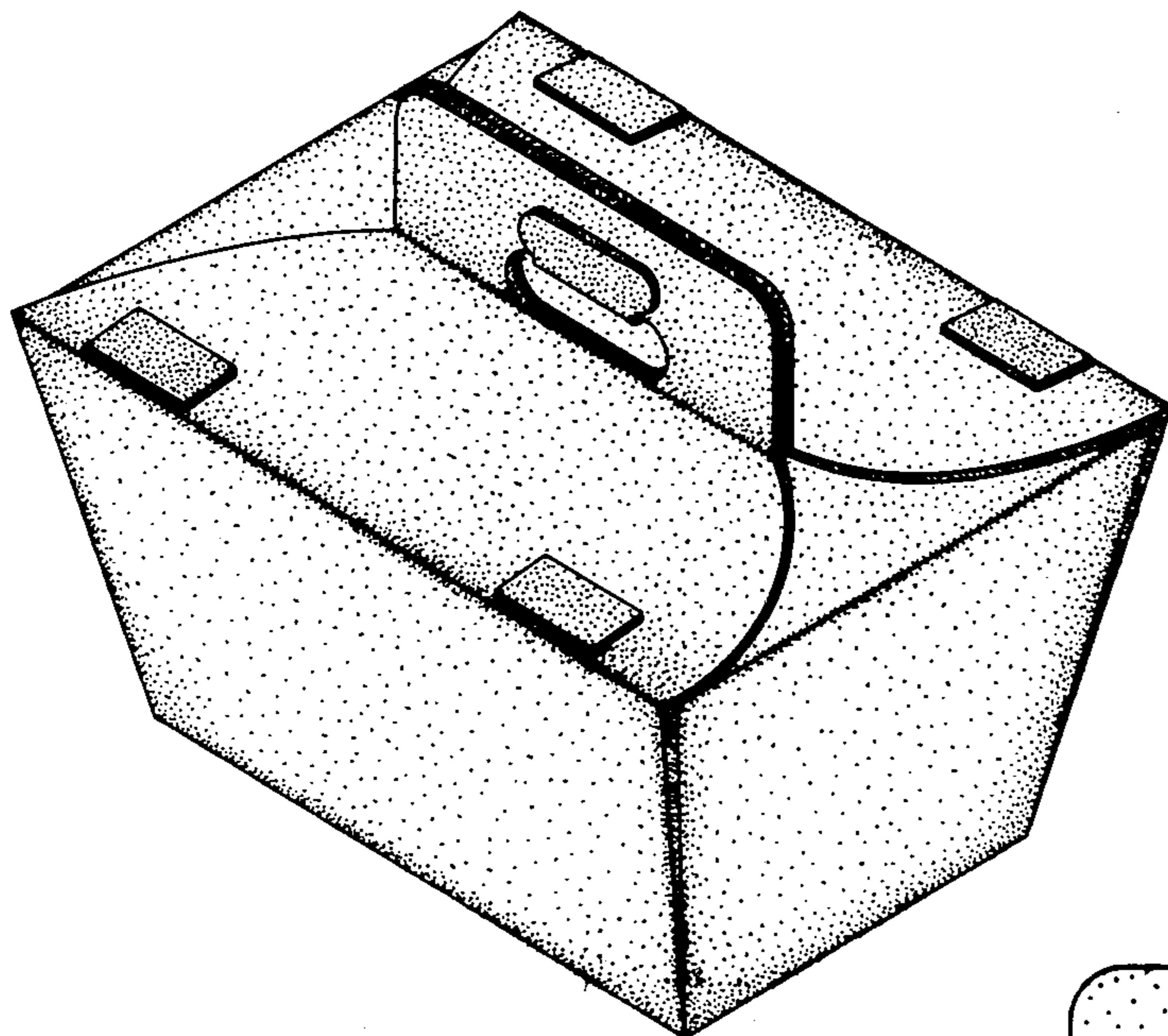
Primary Examiner—Winifred E. Herrmann  
Attorney, Agent, or Firm—Woodford R. Thompson, Jr.

[57] CLAIM

The ornamental design for a portable cooler, as shown.

DESCRIPTION

FIG. 1 is a perspective view of a portable cooler showing my new design;  
FIG. 2 is a side elevational view thereof;  
FIG. 3 is a side elevational view showing the side thereof opposite that shown in FIG. 2;  
FIG. 4 is an end elevational view thereof;  
FIG. 5 is an end elevational view showing the end thereof opposite that shown in FIG. 4;  
FIG. 6 is a top plan view thereof; and,  
FIG. 7 is a bottom view thereof.



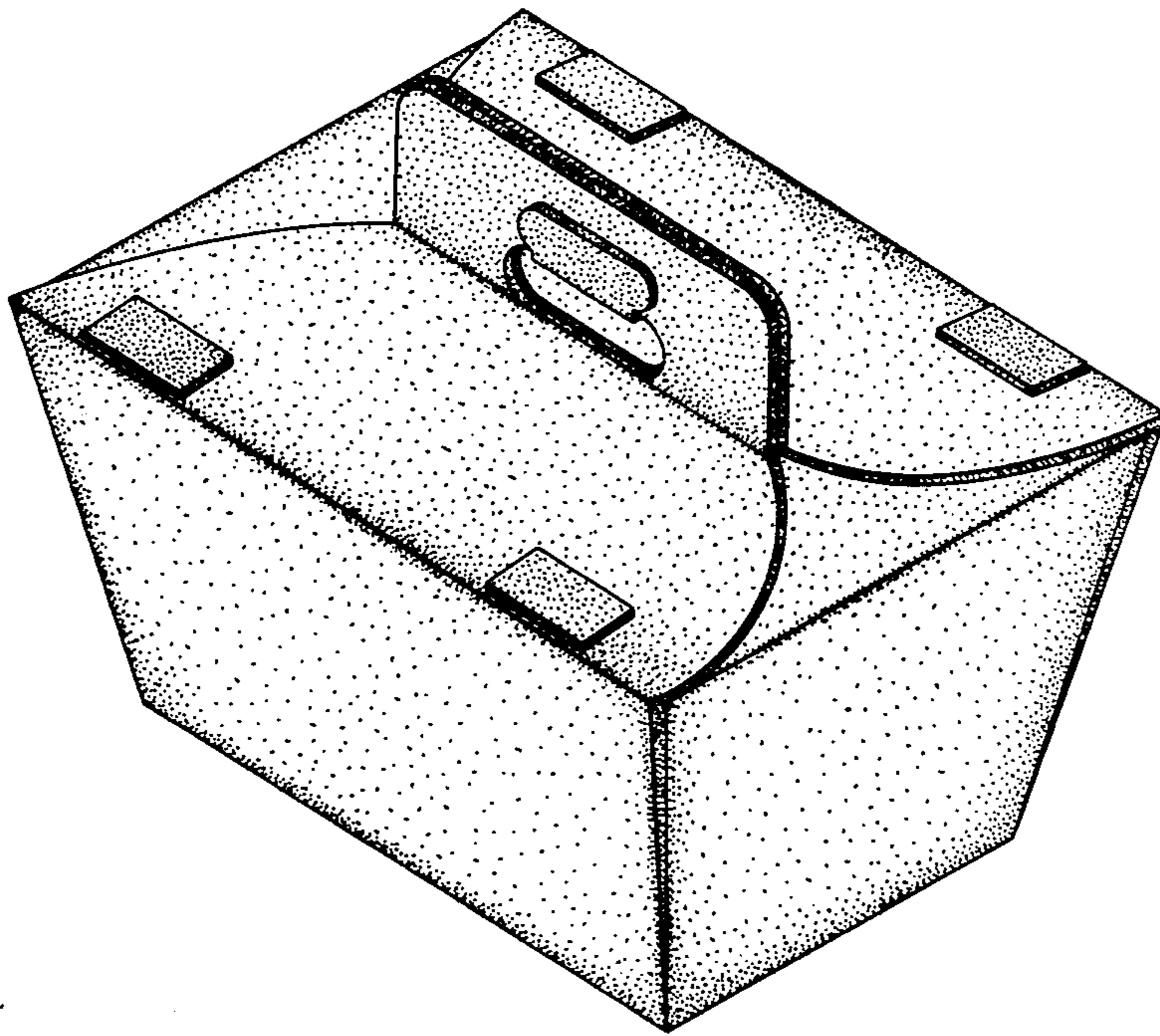


FIG. 1

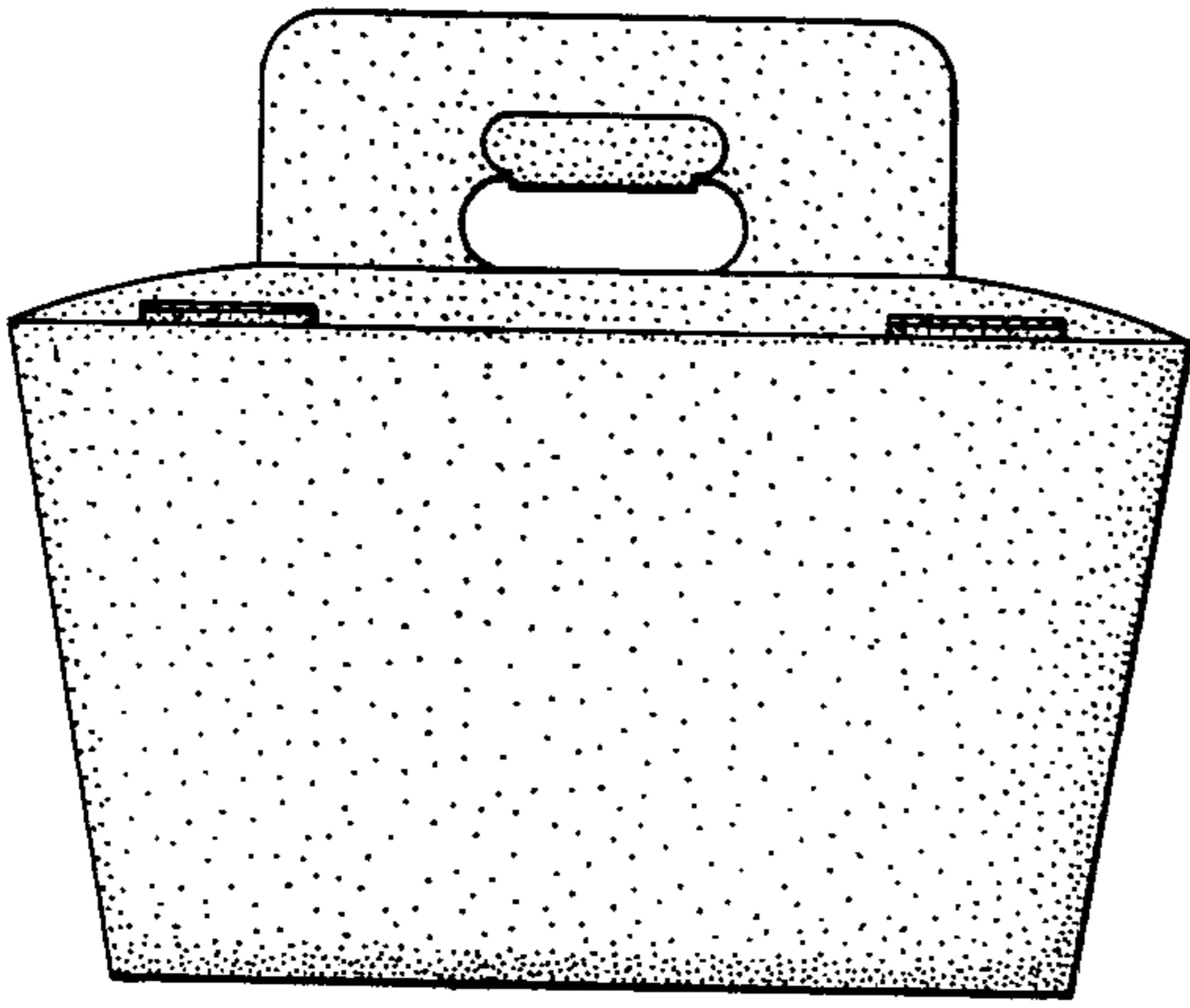


FIG. 2

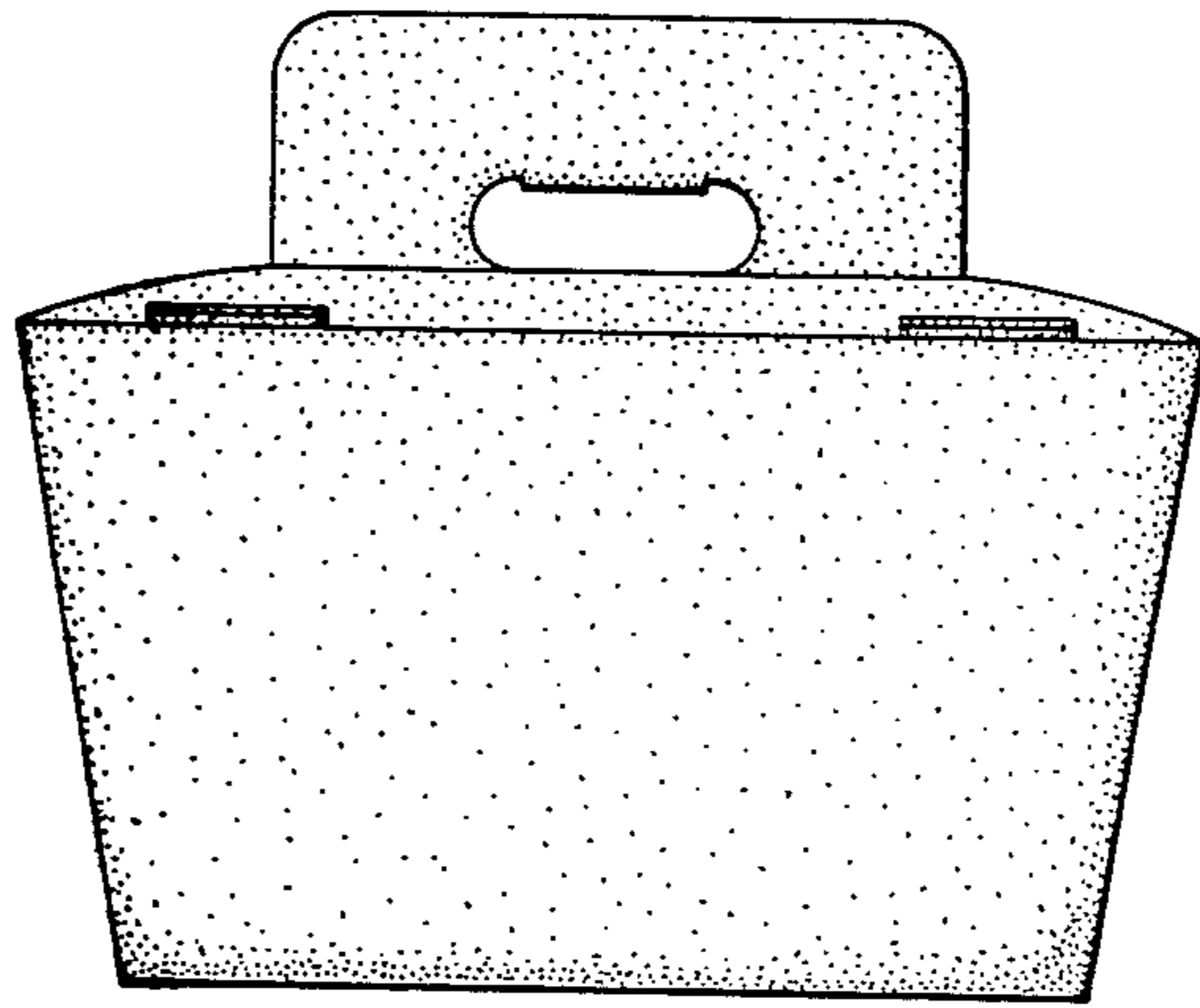


FIG. 3

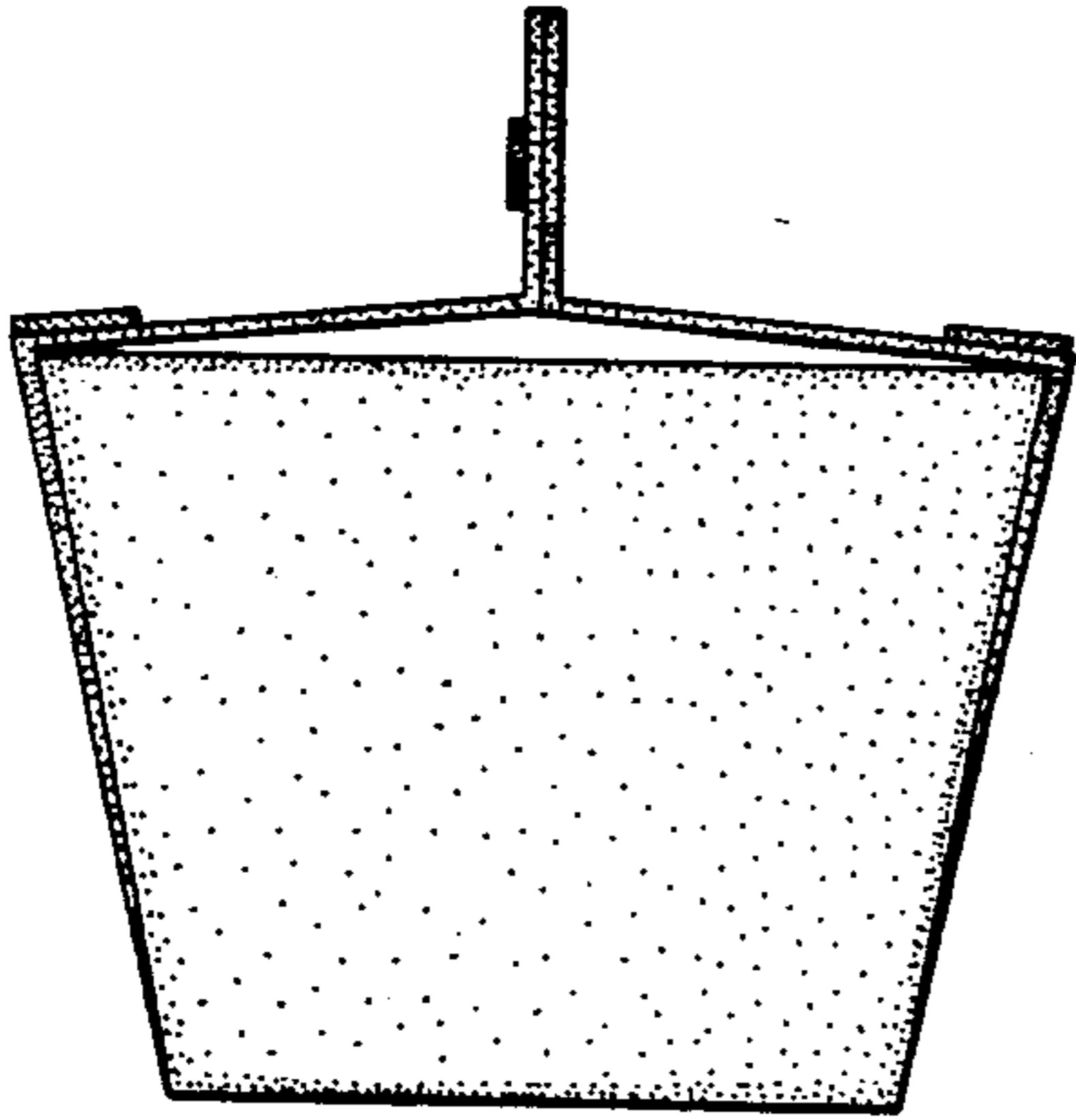


FIG. 4

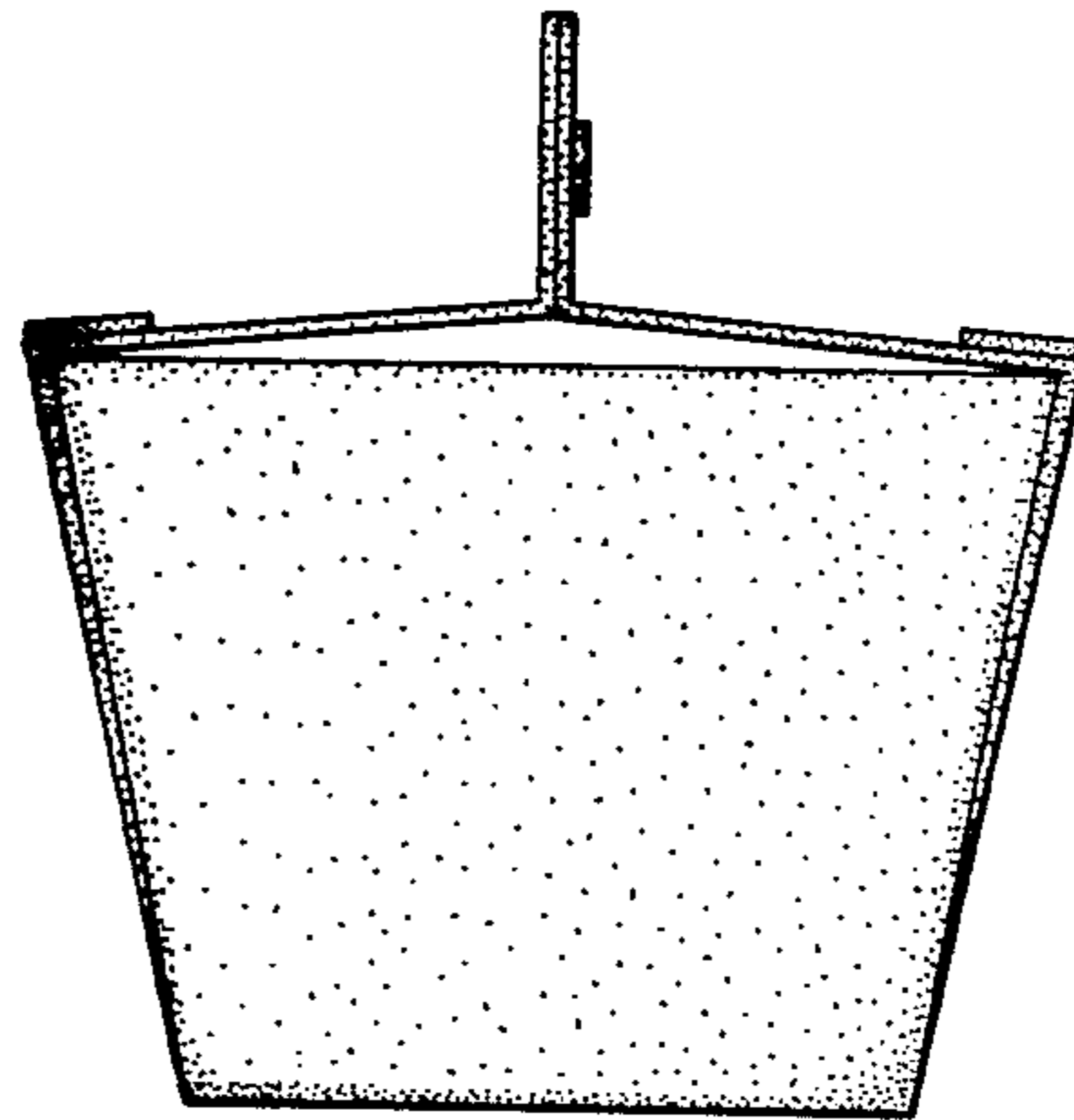


FIG. 5

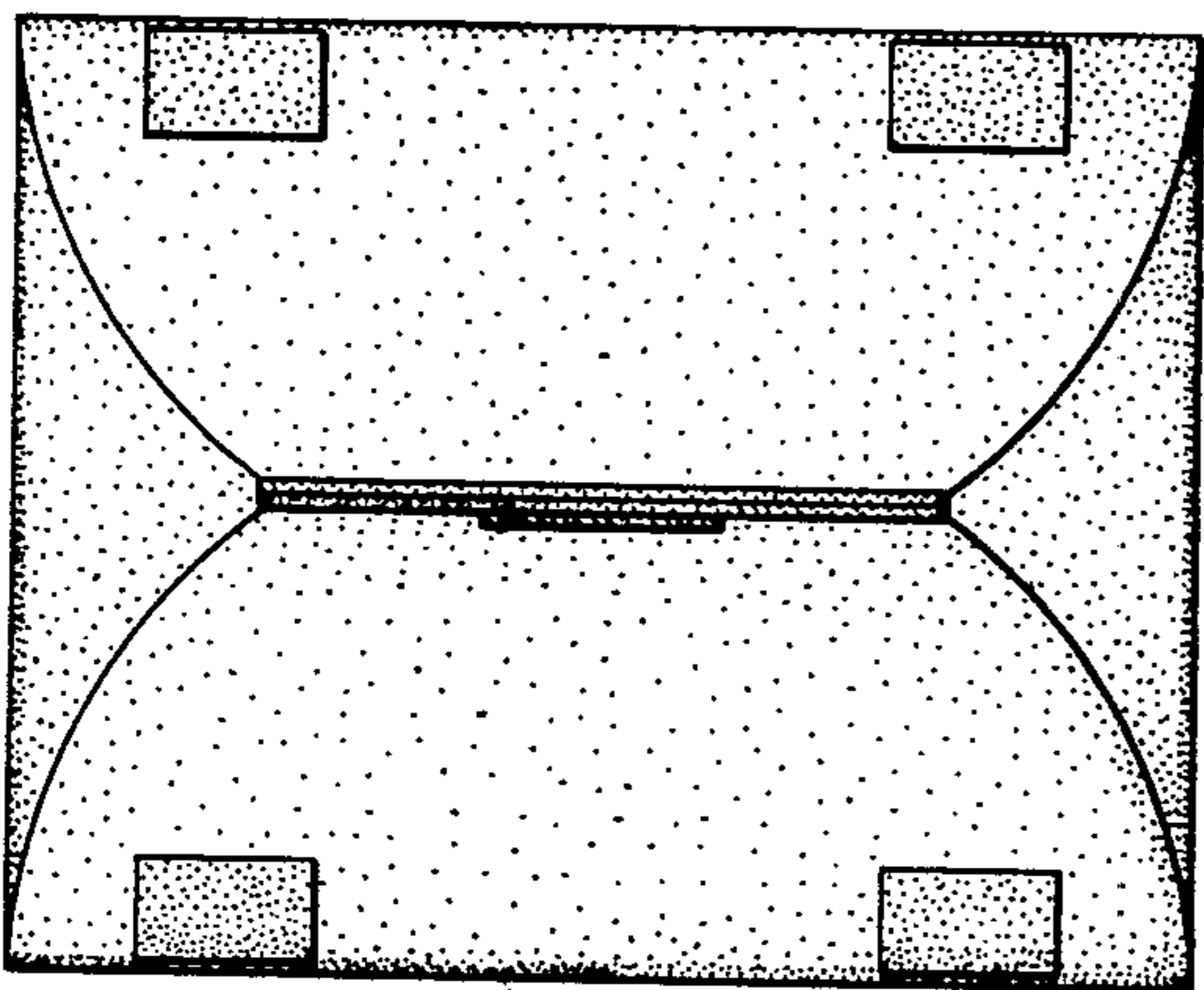


FIG. 6

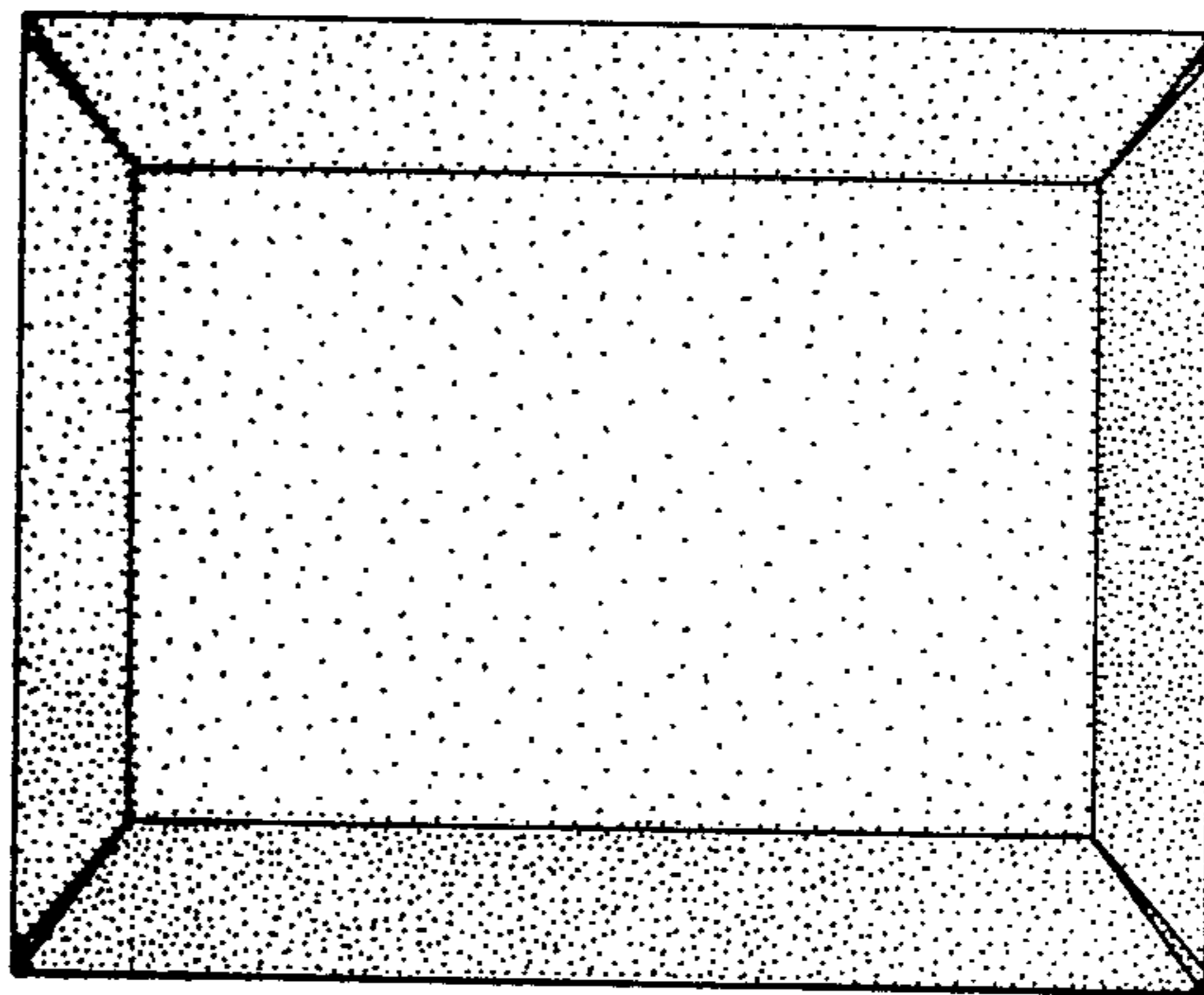


FIG. 7