

[54] CHAIR FRAME

[76] Inventor: Robert J. Marks, 9350 SW. 106th St., Miami, Fla. 33157

[**] Term: 14 Years

[21] Appl. No.: 77,614

[22] Filed: Sep. 21, 1979

Related U.S. Application Data

[62] Division of Ser. No. 823,965, Aug. 12, 1977.

[51] Int. Cl. D6-06

[52] U.S. Cl. D6/191

[58] Field of Search D6/47-78, D6/37-39, 191, 192, 193, 197

[56]

References Cited

U.S. PATENT DOCUMENTS

- D. 182,497 4/1958 Borenstein D6/37
- D. 229,591 12/1973 Trail et al. D6/76 X
- D. 244,078 4/1977 Marks D6/191

Primary Examiner—Bruce W. Dunkins
Attorney, Agent, or Firm—B. J. Powell

[57]

CLAIM

The ornamental design for a chair frame, substantially as shown and described.

DESCRIPTION

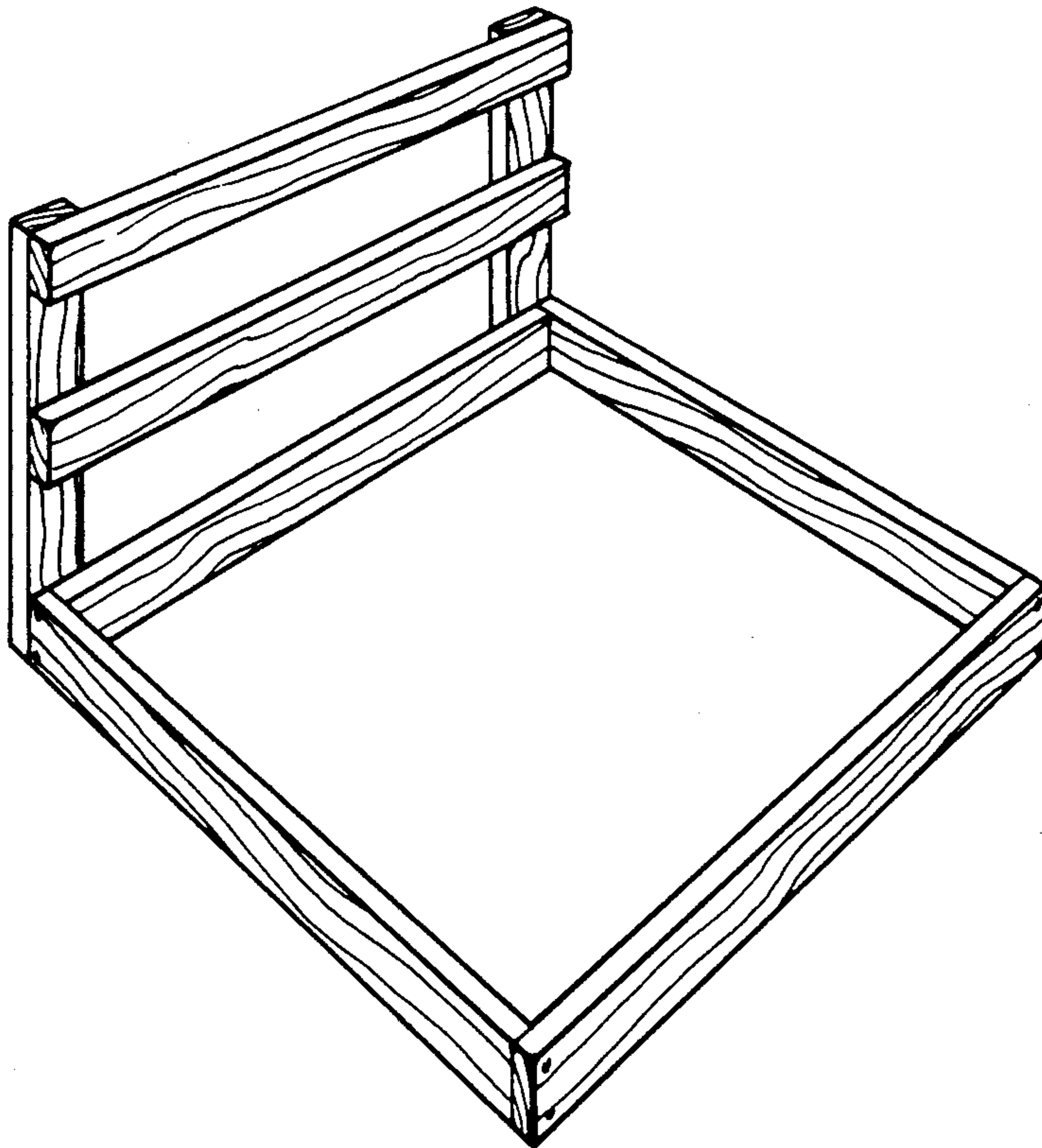
FIG. 1 is a perspective view of a chair frame showing my new design;

FIG. 2 is a top plan view thereof;

FIG. 3 is a front elevational view thereof;

FIG. 4 is a rear elevational view thereof; and

FIG. 5 is a left side elevational view thereof, the right side being a mirror image thereof.



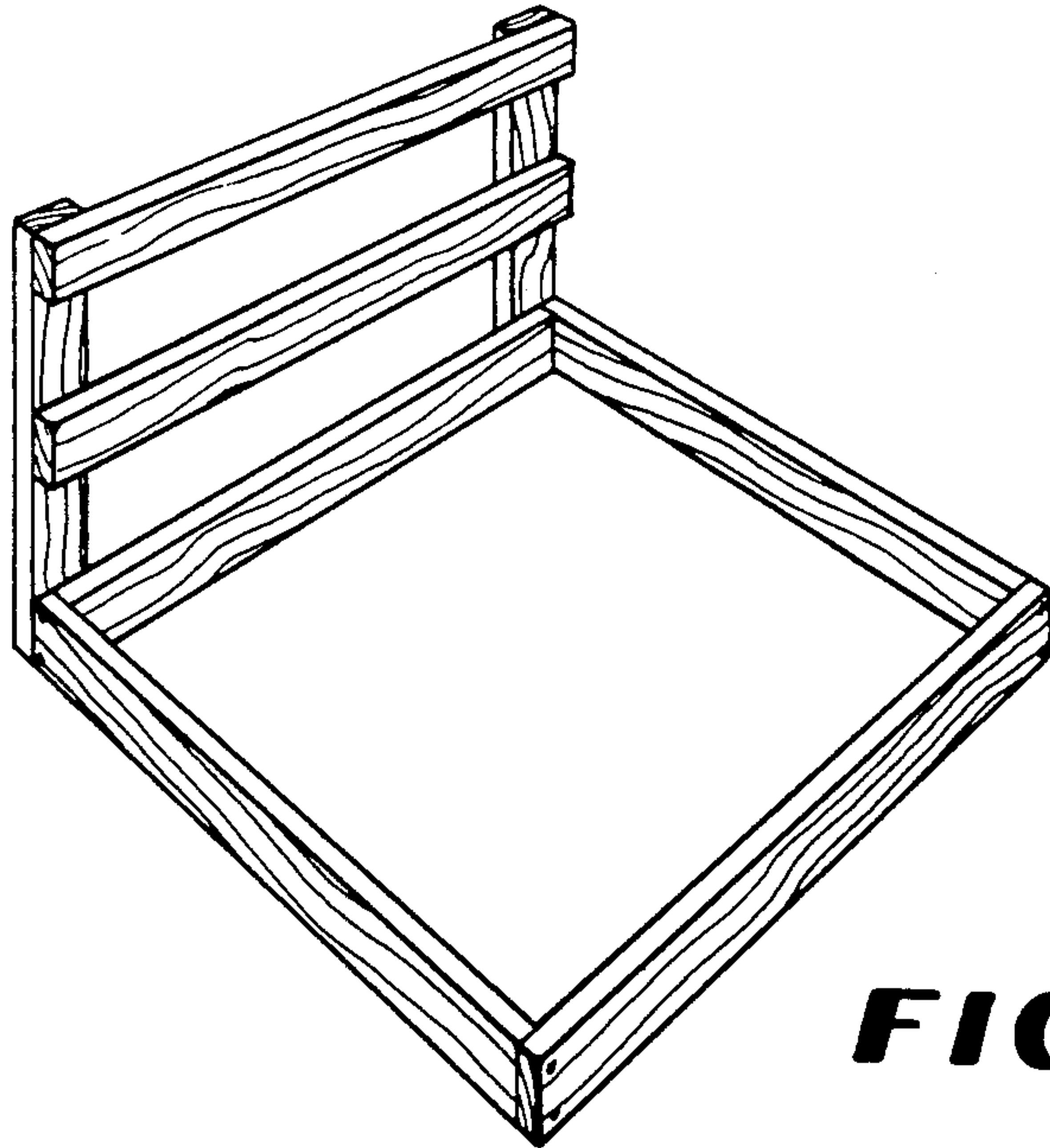


FIG 1

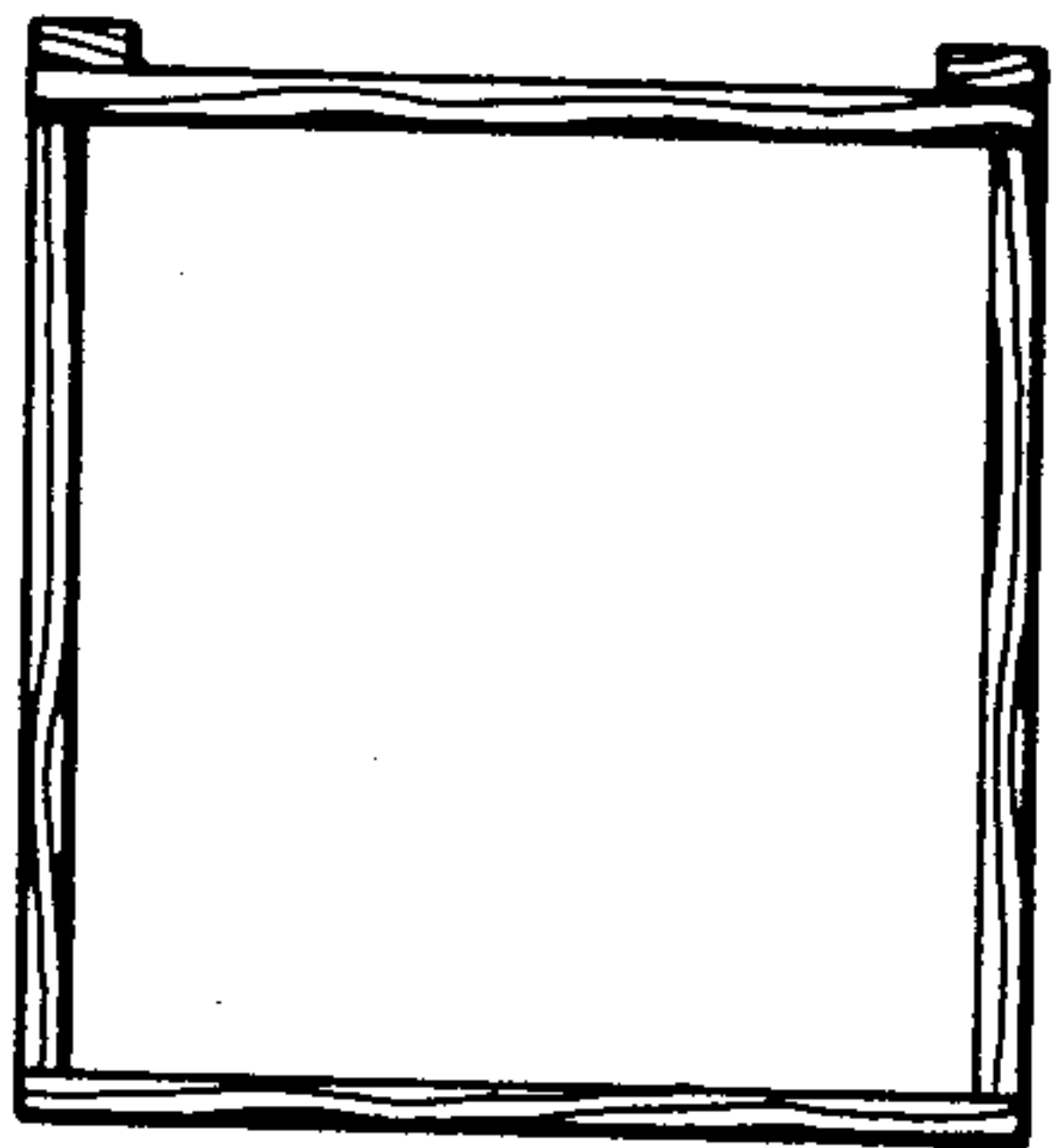


FIG 2

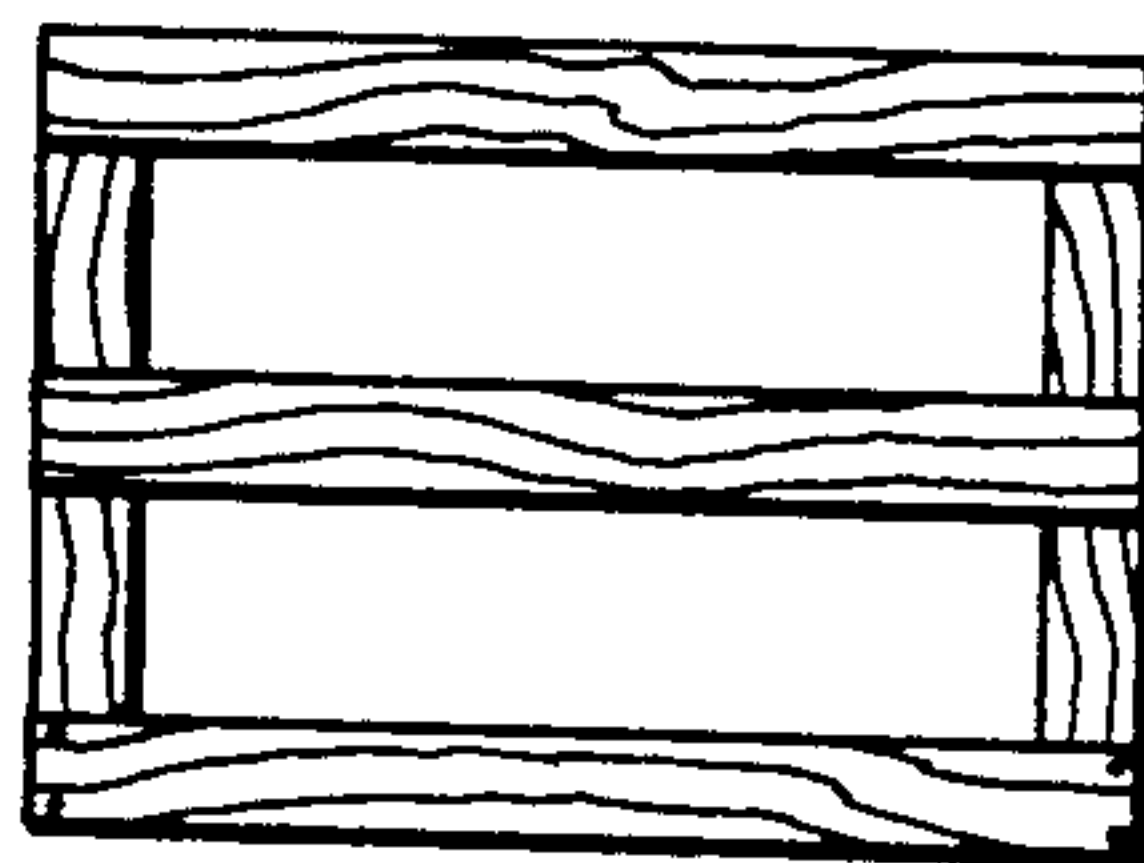


FIG 3

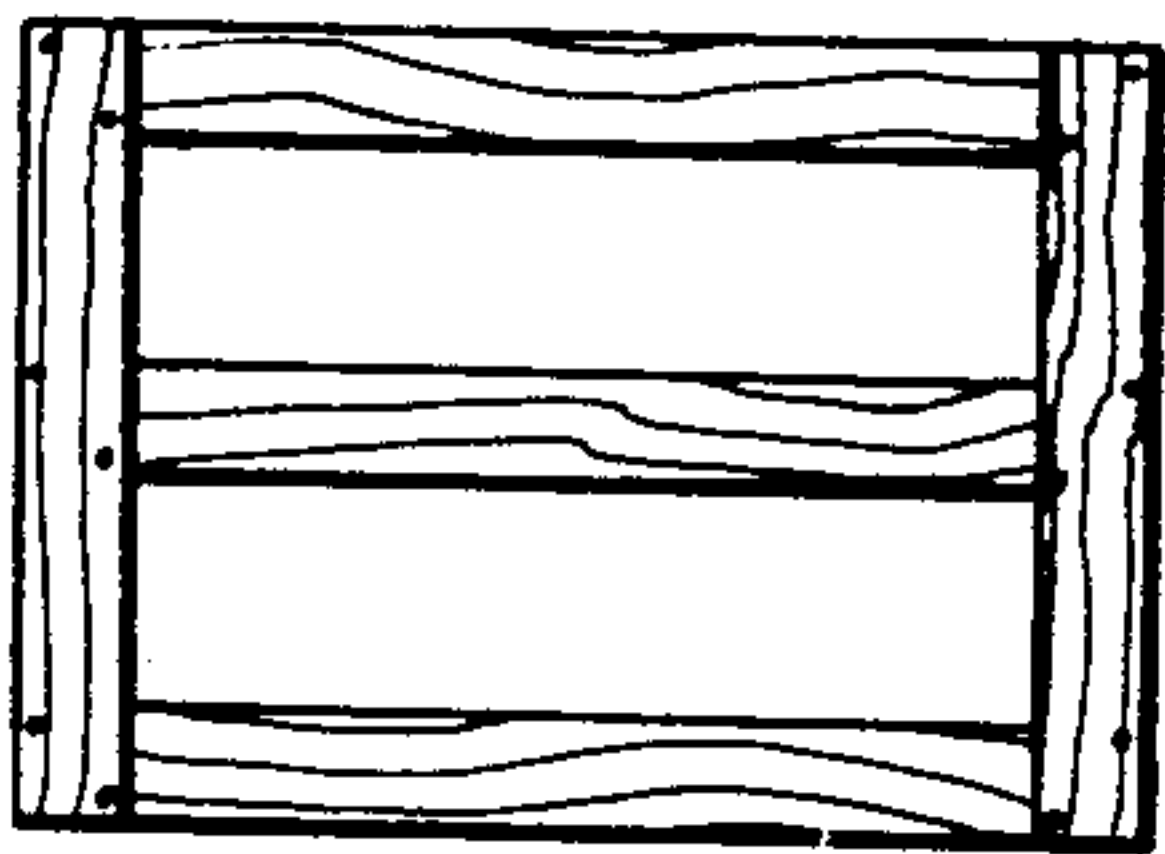


FIG 4

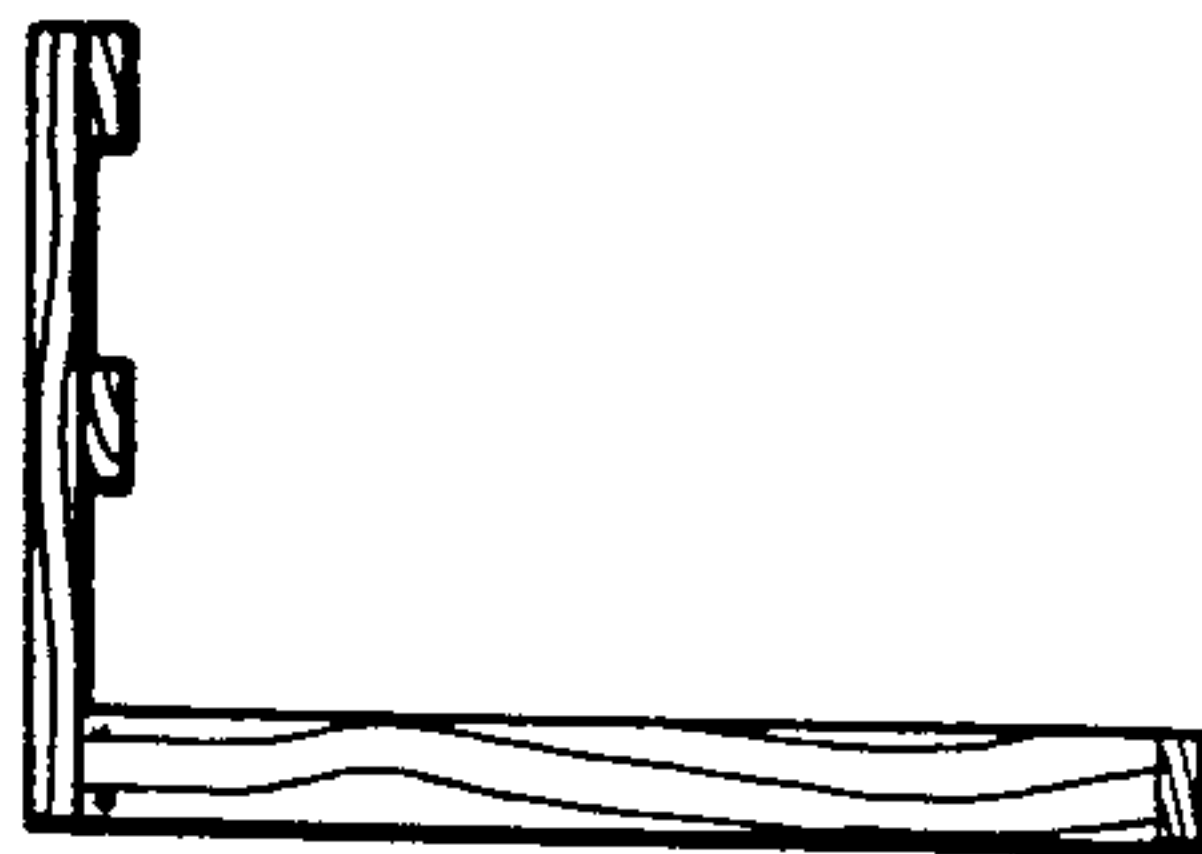


FIG 5