

[54] CORNER SEAT FRAME

[76] Inventor: Robert J. Marks, 9350 SW. 106th St., Miami, Fla. 33157

[\*\*] Term: 14 Years

[21] Appl. No.: 77,603

[22] Filed: Sep. 21, 1979

**Related U.S. Application Data**

[62] Division of Ser. No. 823,965, Aug. 12, 1977.

[51] Int. Cl. .... D6-06

[52] U.S. Cl. .... D6/191

[58] Field of Search ..... D6/37-39, D6/47-78, 191, 192, 197

[56] References Cited

**U.S. PATENT DOCUMENTS**

- D. 182,497 4/1958 Borenstein ..... D6/37
- D. 229,591 12/1973 Trail et al. .... D6/76 X
- D. 244,078 4/1977 Marks ..... D6/191

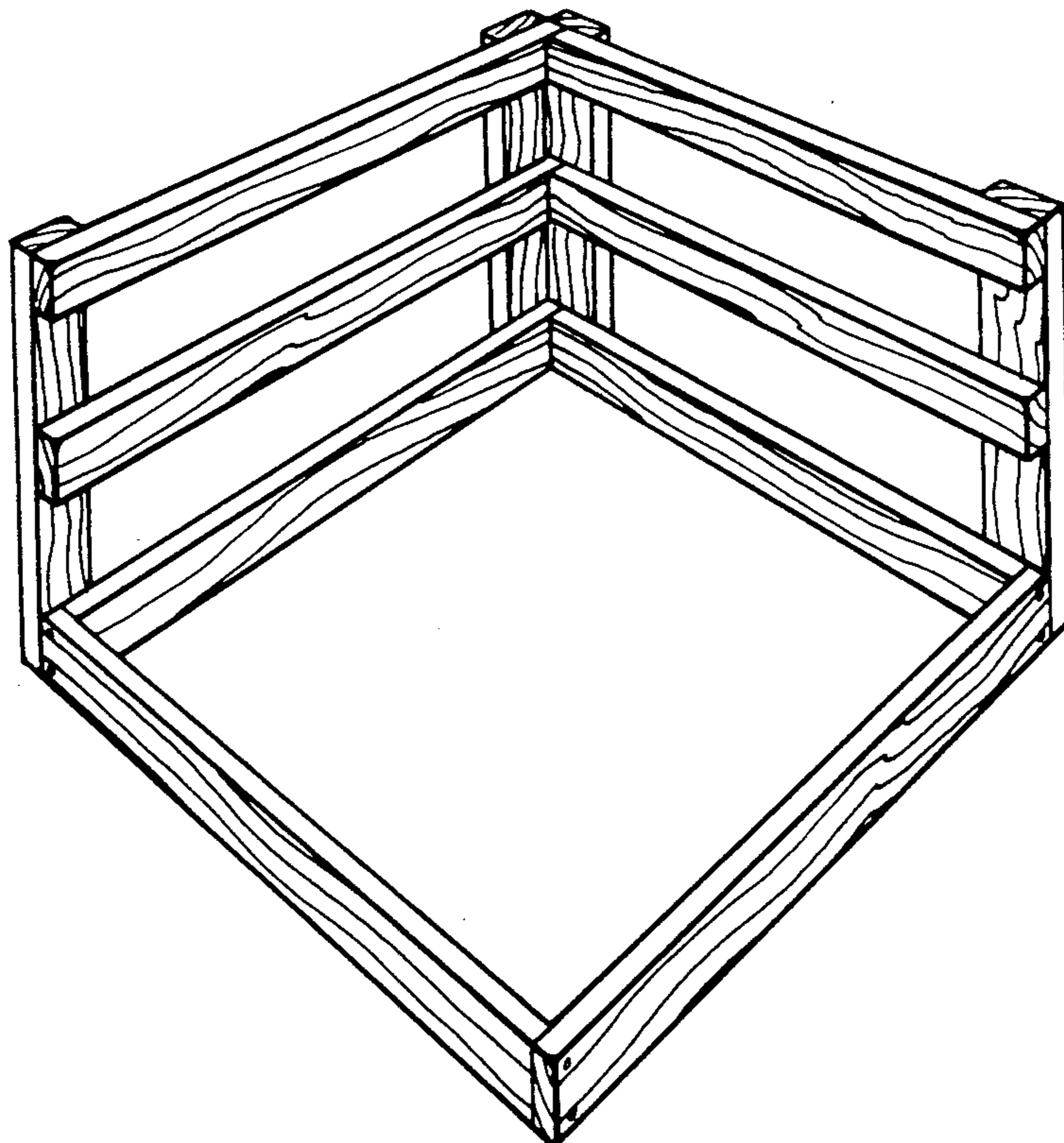
*Primary Examiner*—Bruce W. Dunkins  
*Attorney, Agent, or Firm*—B. J. Powell

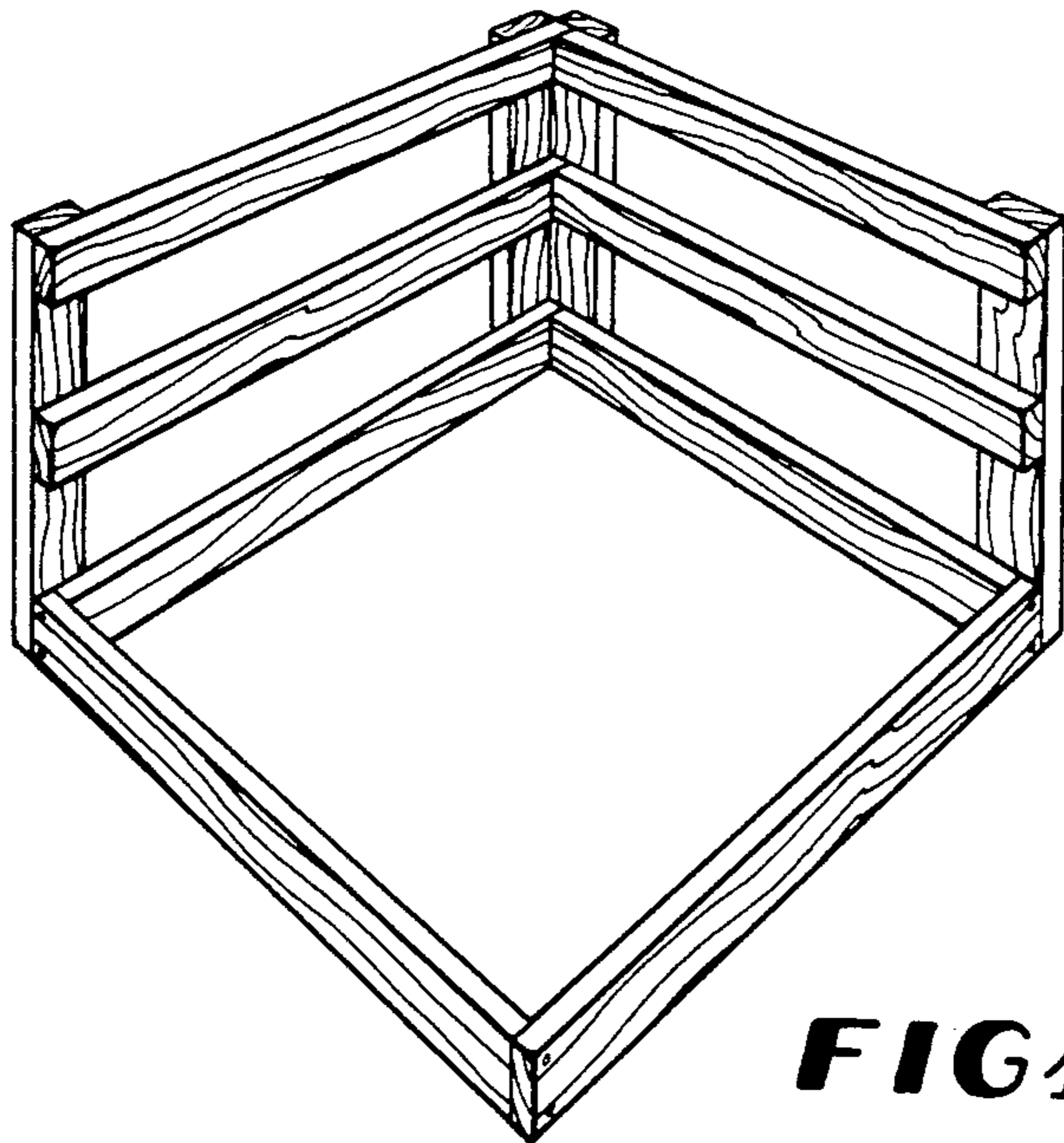
[57] **CLAIM**

The ornamental design for a corner seat frame, substantially as shown and described.

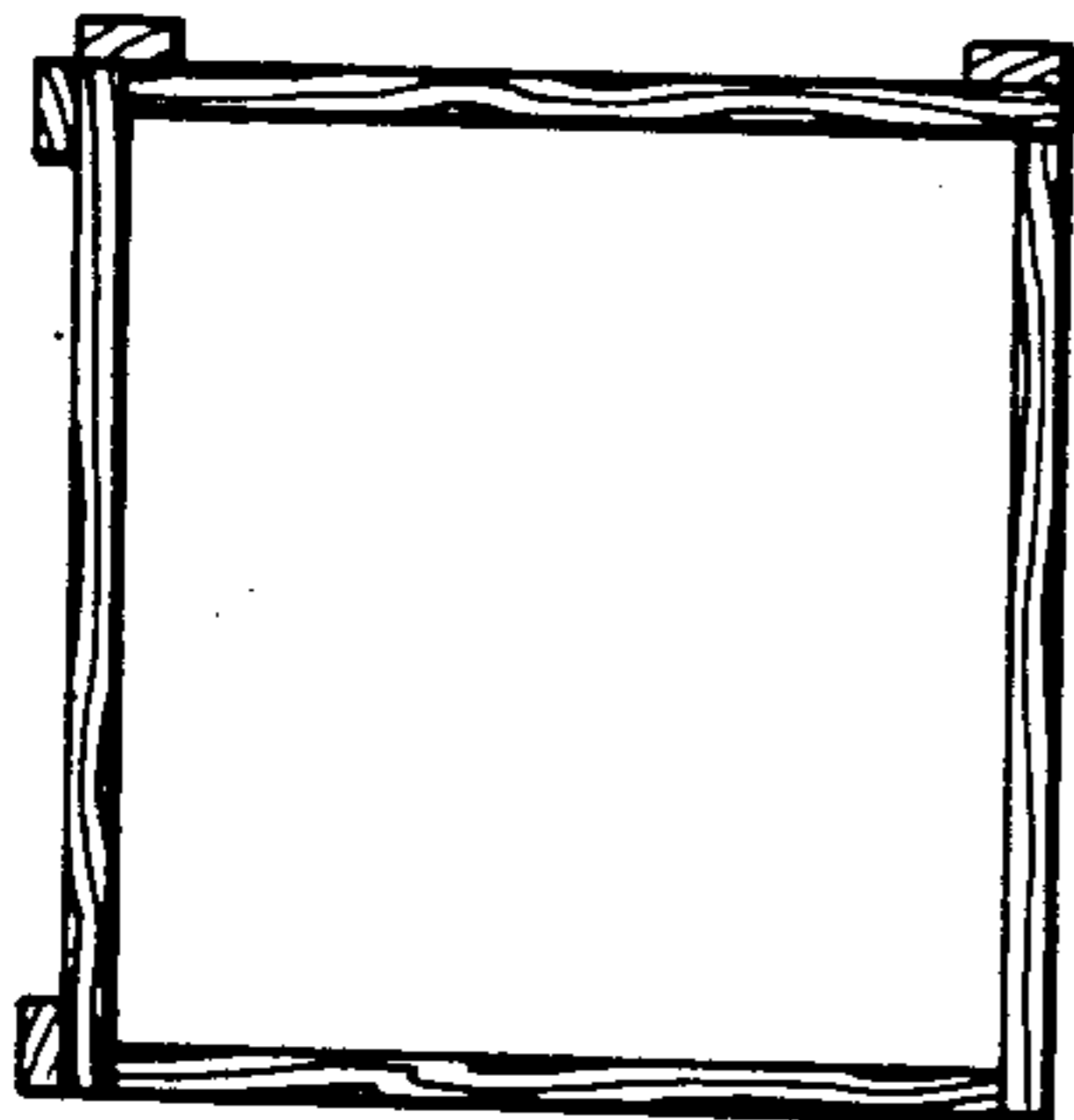
**DESCRIPTION**

FIG. 1 is a perspective view of a corner seat frame showing my new design;  
 FIG. 2 is a top plan view thereof;  
 FIG. 3 is a right side elevational view thereof, the front being a mirror image thereof; and  
 FIG. 4 is a left side elevational view thereof, the rear being a mirror image thereof.

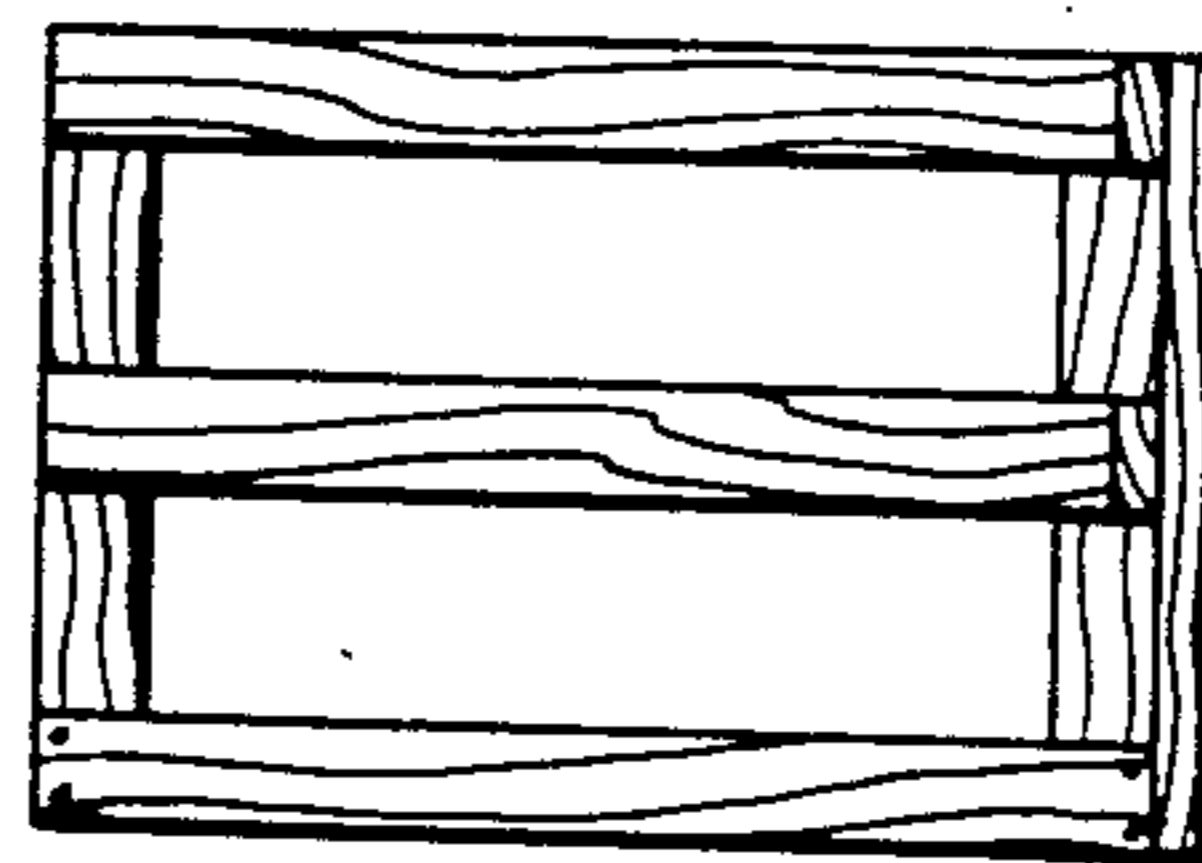




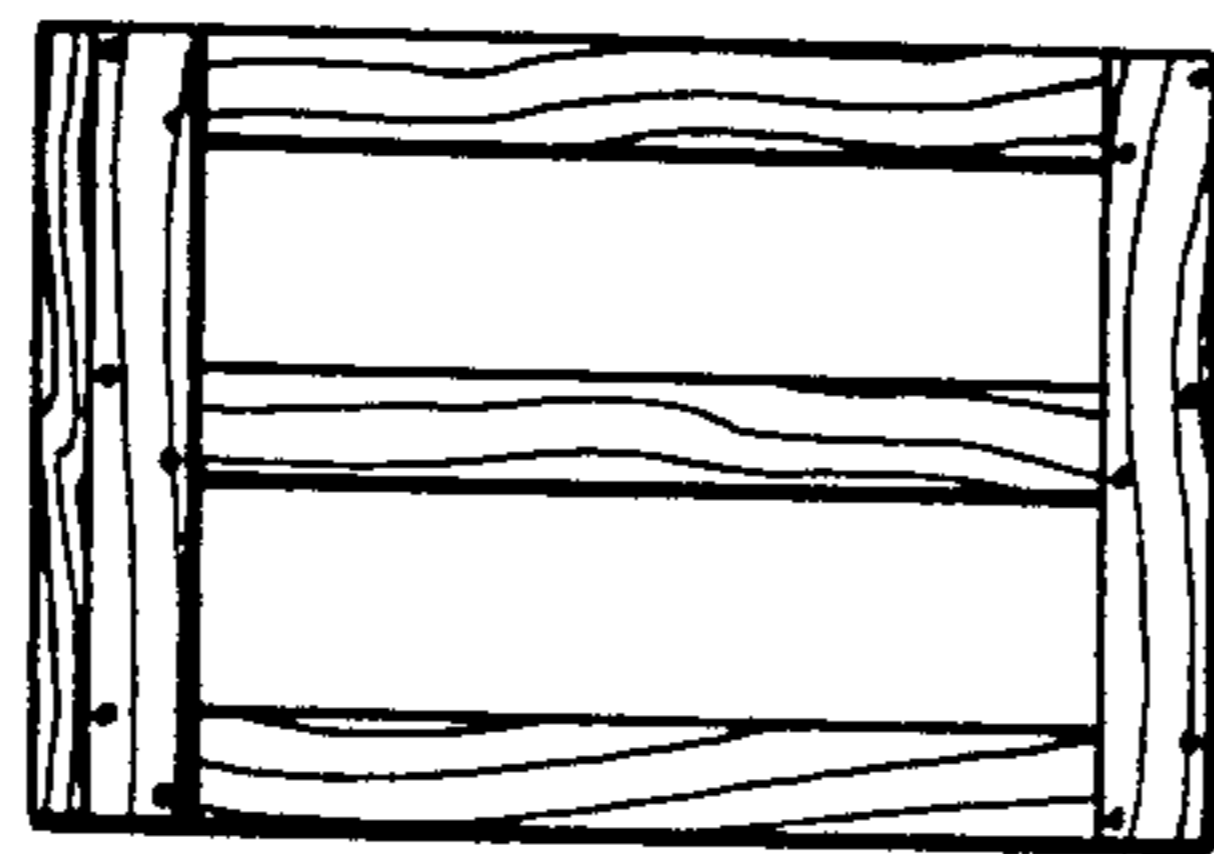
**FIG 1**



**FIG 2**



**FIG 3**



**FIG 4**