

[54] TABLE FOR USE PRIMARILY ON A BOAT

[76] Inventor: Yves Gagnon, 848, Marie-Anne, Montreal, Quebec, Canada, H2J 2A9

[**] Term: 14 Years

[21] Appl. No.: 28,996

[22] Filed: Apr. 11, 1979

[51] Int. Cl. D6-03

[52] U.S. Cl. D6/177

[58] Field of Search D6/26, 20, 27, 177, D6/178, 175, 179, 42, 43; D12/62, 67, 70

[56] References Cited

U.S. PATENT DOCUMENTS

D. 68,772	11/1925	Eichman	D6/43
D. 158,522	5/1950	Smith et al.	D6/43
D. 193,389	8/1962	Kardach	D6/178
4,155,609	5/1979	Skafte et al.	D6/178 X

OTHER PUBLICATIONS

Sailboat & Equipment Directory, 10/14/77, p. 94, Teak Table by Edson.

Home Furnishings, 3-1954, p. 52, Desk/Dresser top center.

Primary Examiner—Bruce W. Dunkins

Attorney, Agent, or Firm—Robic, Robic & Associates

[57] CLAIM

The ornamental design for a table for use primarily on a boat, substantially as shown.

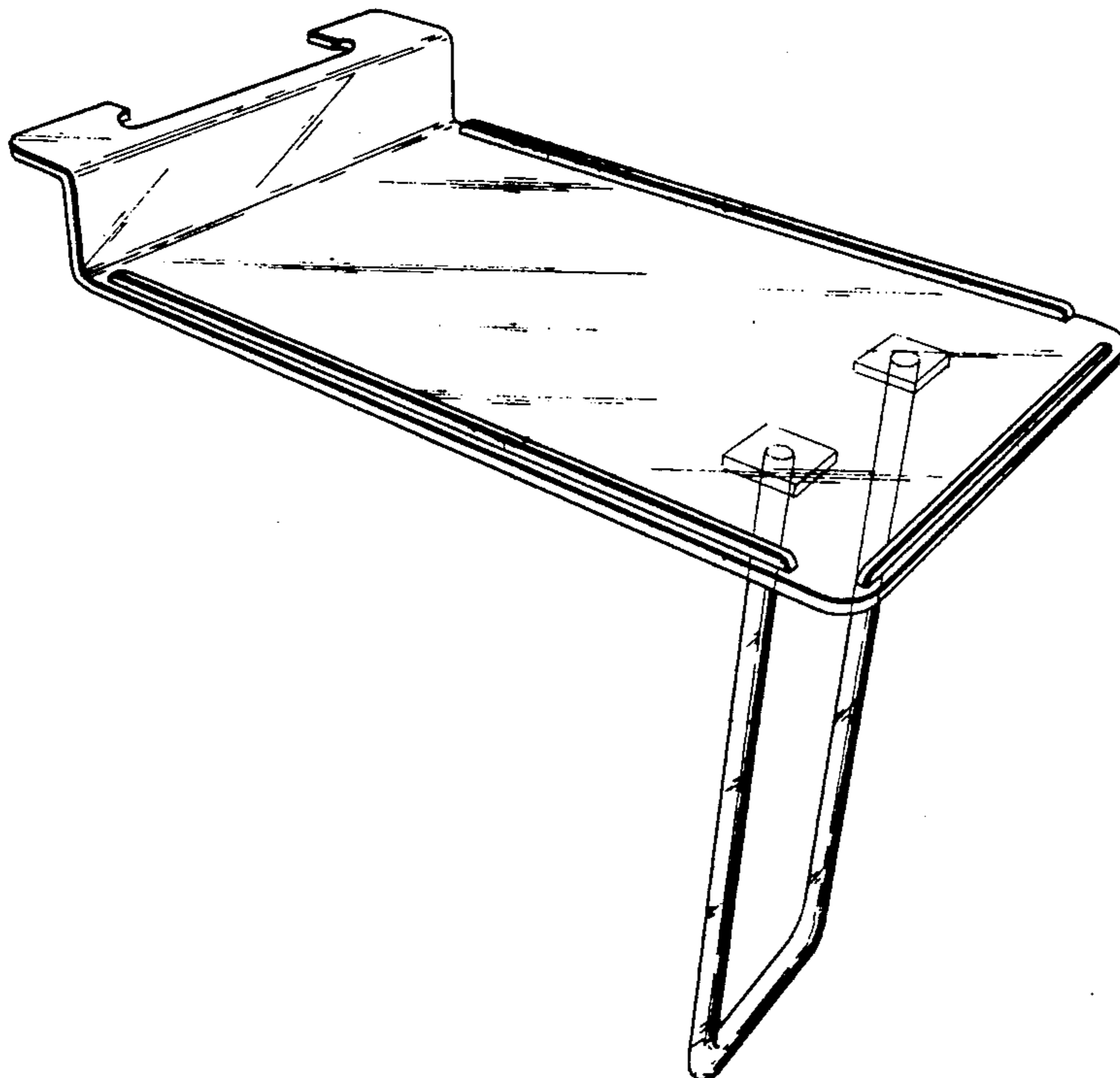
DESCRIPTION

FIG. 1 is a perspective view of a table for use primarily on a boat showing my new design;

FIG. 2 is a side elevational view thereof, the other side being substantially identical;

FIG. 3 is a top plan view thereof; and

FIG. 4 is a front elevational view thereof.



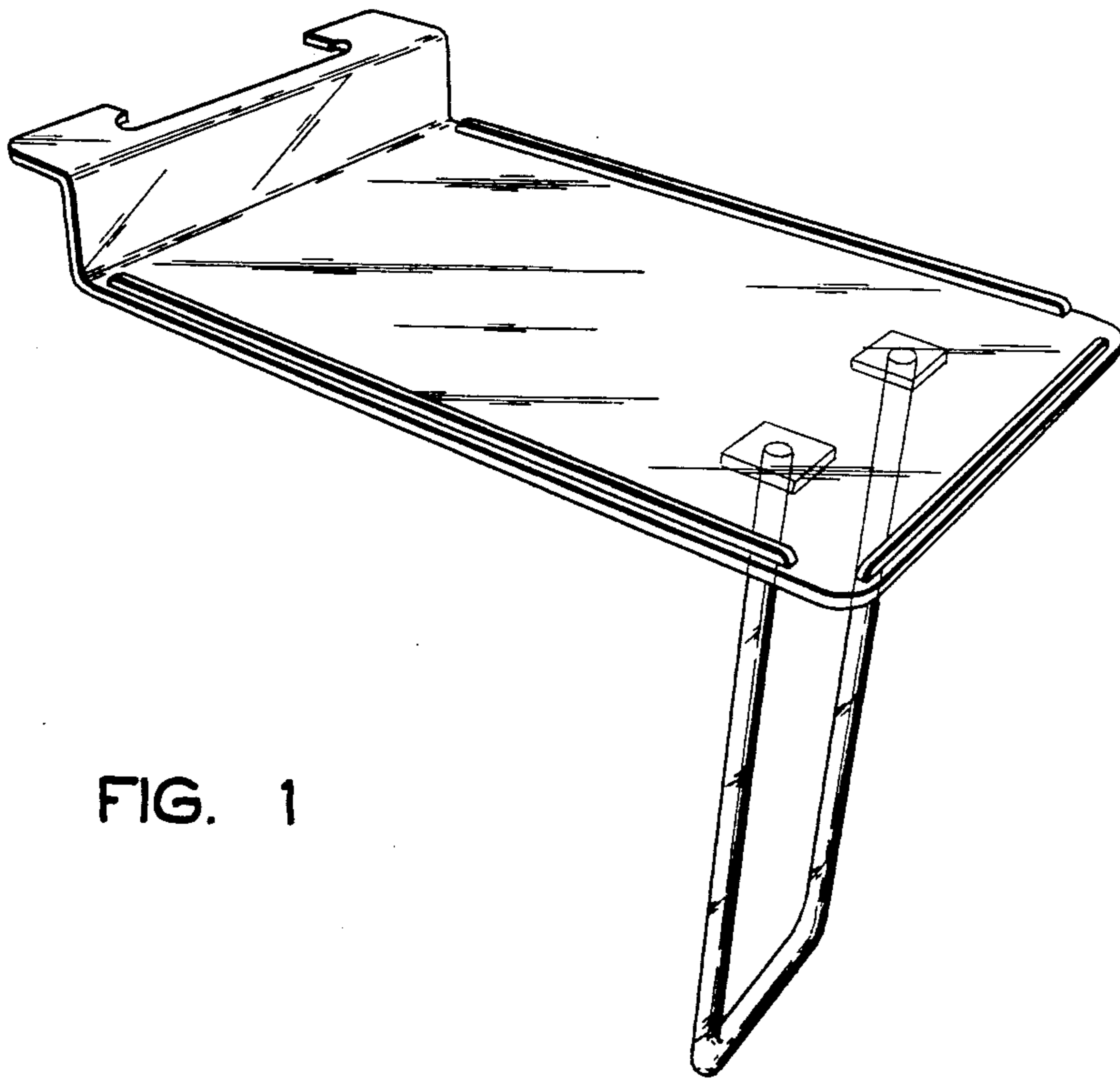


FIG. 1

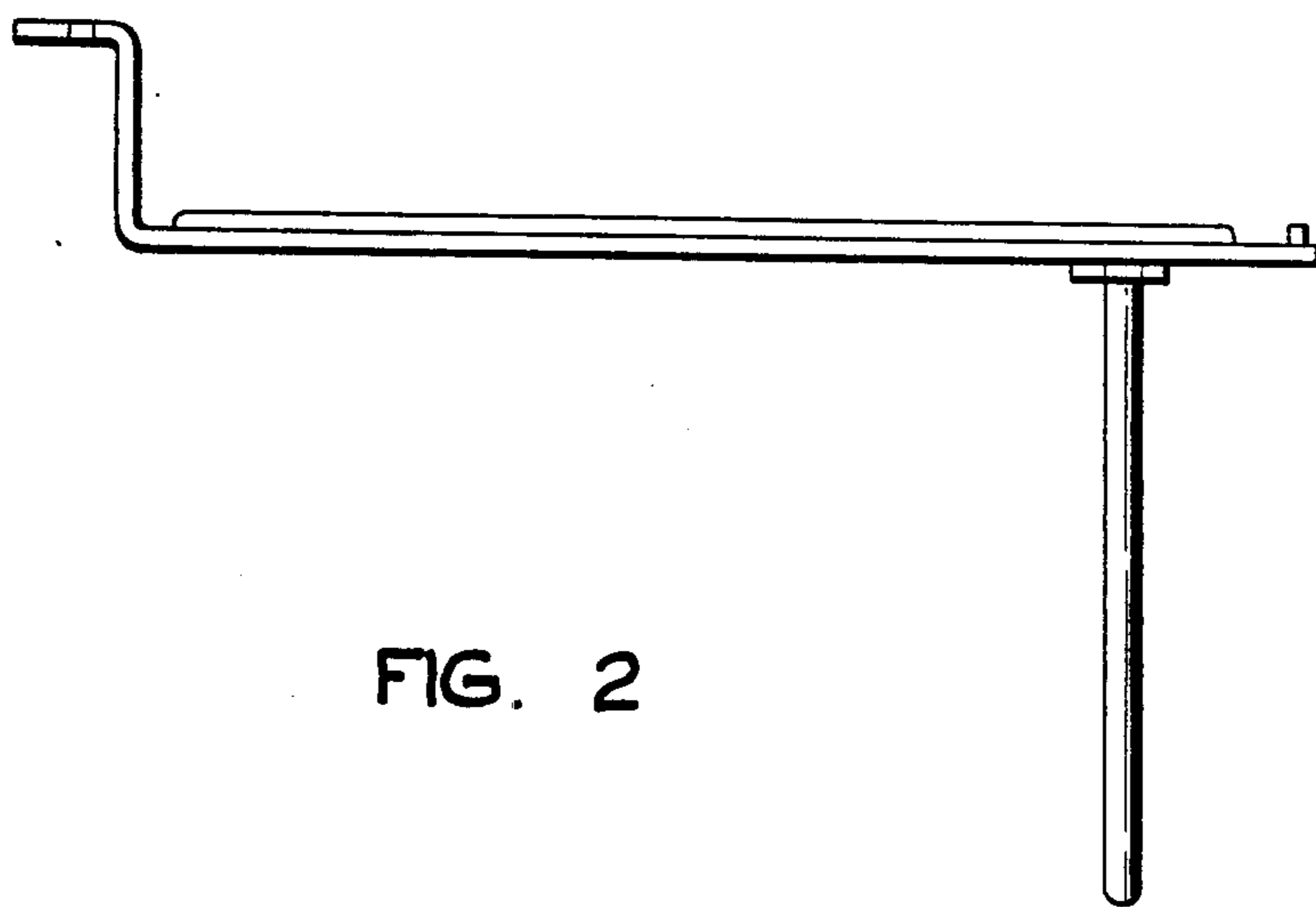


FIG. 2

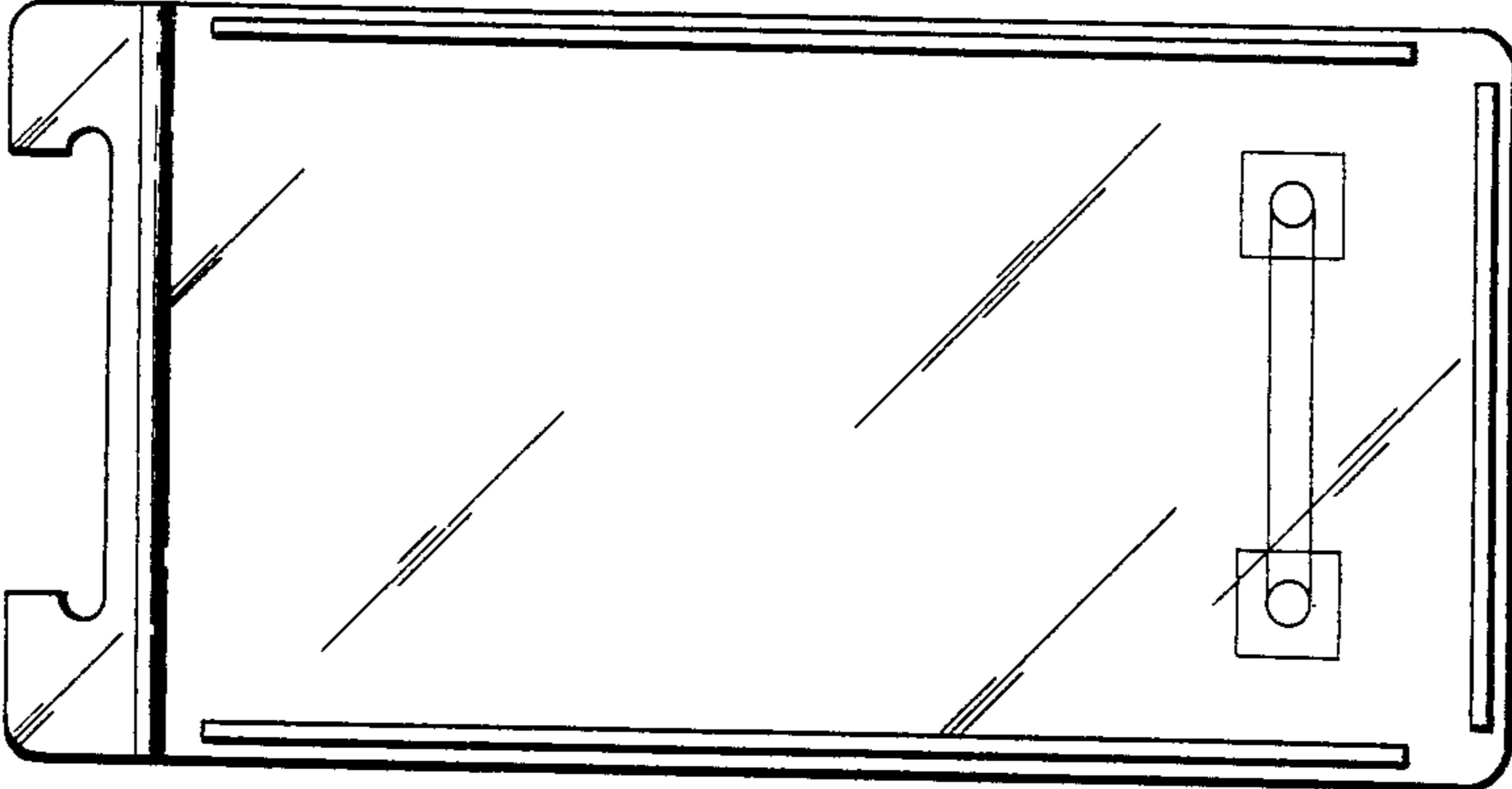


FIG. 3

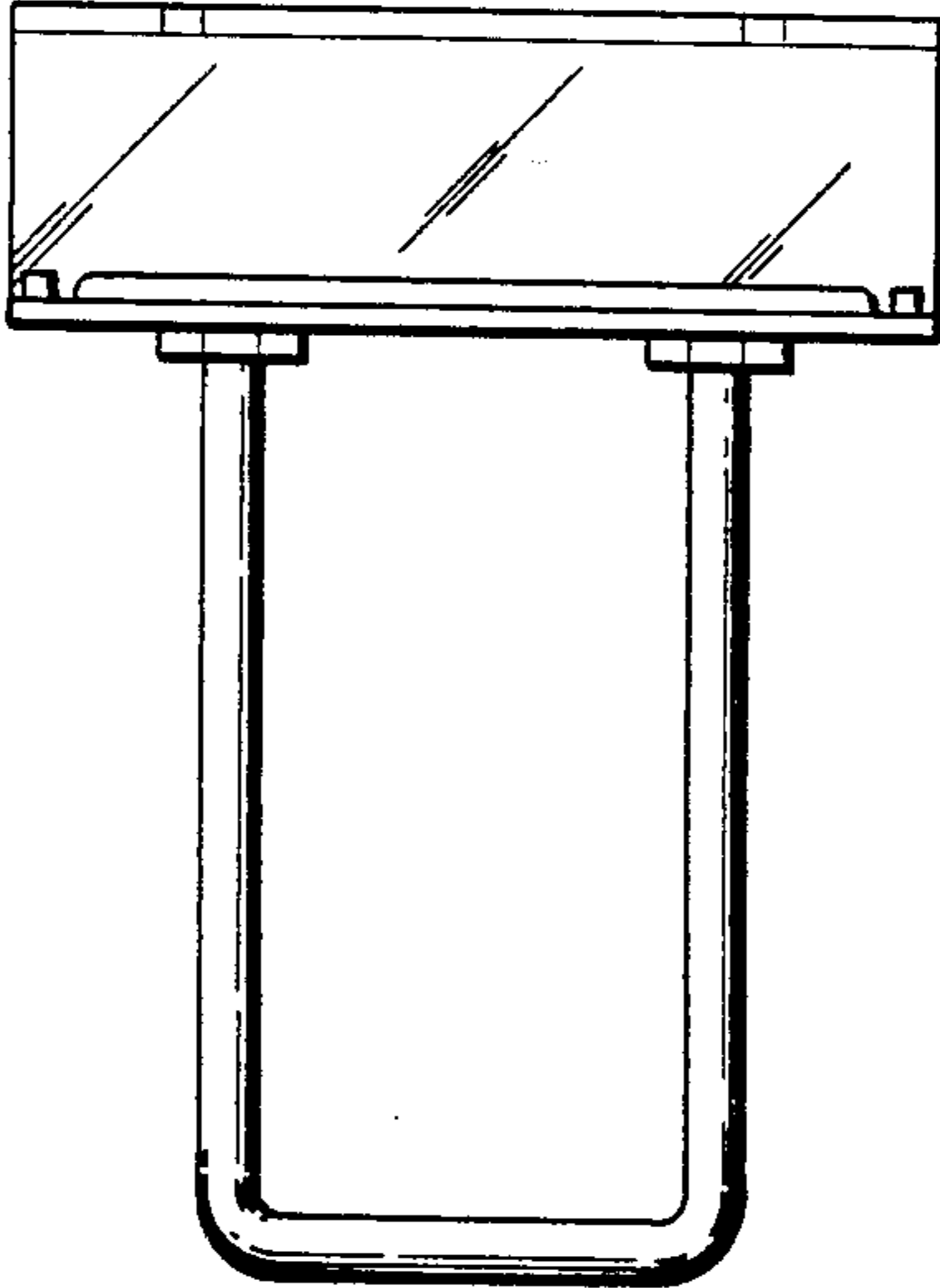


FIG. 4