

[54] CHAIR OR SIMILAR ARTICLE

[75] Inventor: Hermann Locher, Pfeffingen, Switzerland

[73] Assignee: Giroflex Entwicklungs AG, Koblenz, Switzerland

[**] Term: 14 Years

[21] Appl. No.: 7,149

[22] Filed: Jan. 26, 1979

[30] Foreign Application Priority Data

Jul. 31, 1978 [CH] Switzerland 67346/78

[51] Int. Cl. D6-01

[52] U.S. Cl. D6/75; D6/78

[58] Field of Search D6/5, 7, 8, 47-78

[56] References Cited

U.S. PATENT DOCUMENTS

- D. 231,757 6/1974 Golzer D6/56
- D. 244,976 7/1977 Rinaldi D6/56 X

- D. 251,098 2/1979 Diedrich et al. D6/56 X
- 3,899,207 8/1975 Mueller D6/56 X

OTHER PUBLICATIONS

Domus, 7-1975, p. 44, Chair bottom left.
Design Catalog, 5-1972, p. 85, center Chair in group bottom left.

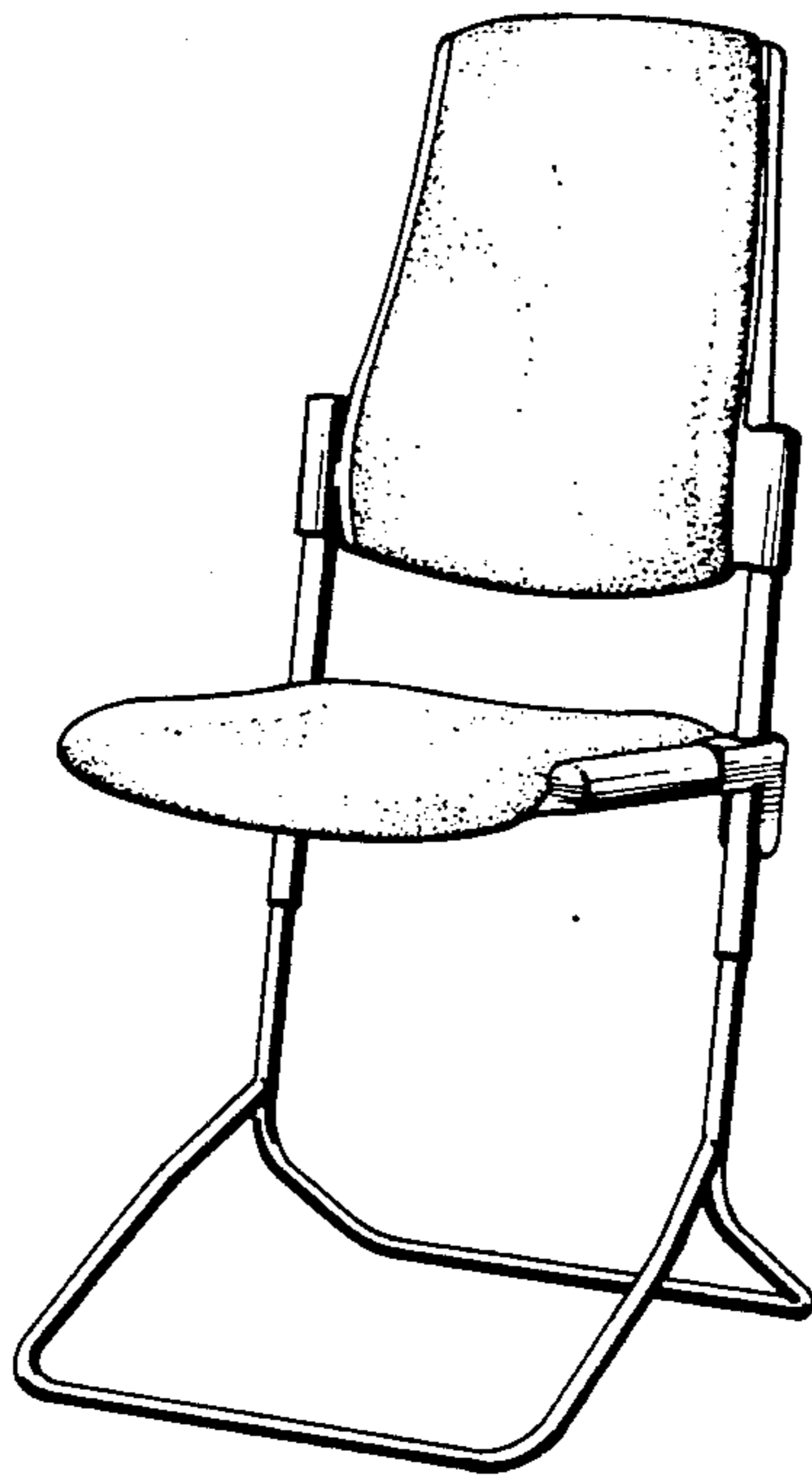
Primary Examiner—Bruce W. Dunkins
Attorney, Agent, or Firm—Werner W. Kleeman

[57] CLAIM

The ornamental design for a chair or similar article, as shown and described.

DESCRIPTION

FIG. 1 is a perspective view of my chair or similar article incorporating my invention;
FIG. 2 is a front view thereof;
FIG. 3 is a side view thereof;
FIG. 4 is a side view opposite to that shown in FIG. 3; and
FIG. 5 is a rear view thereof.



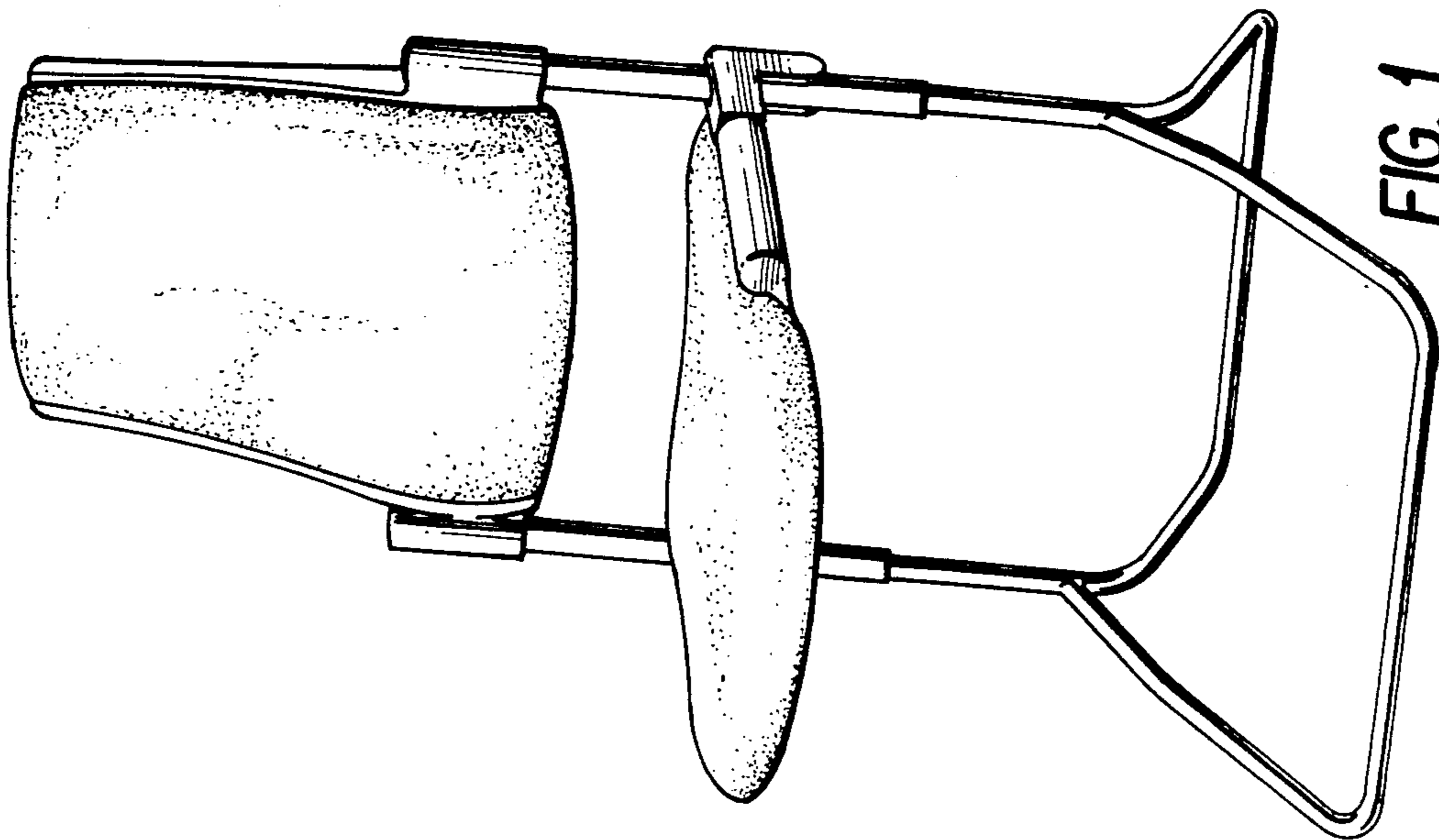


FIG. 1

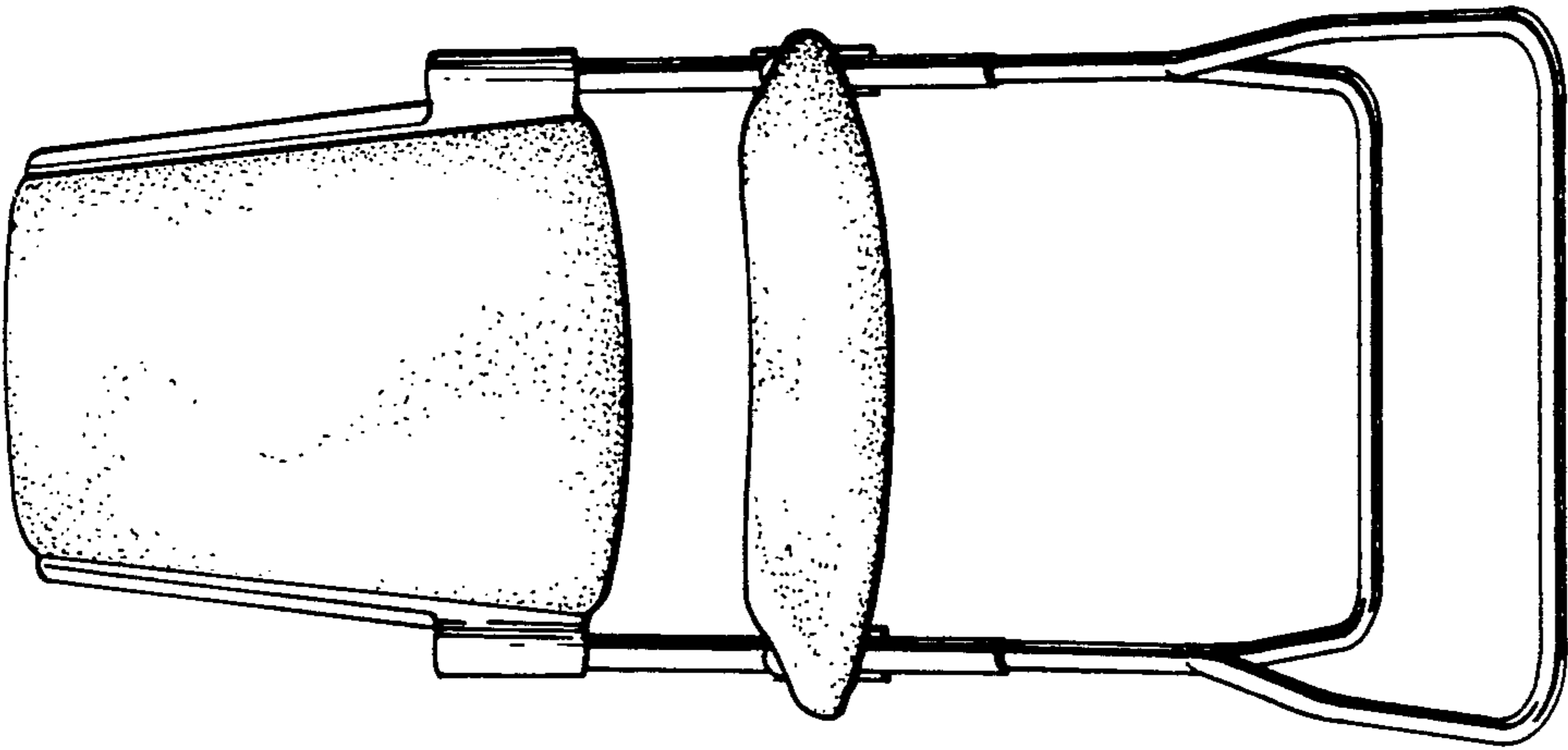


FIG. 2

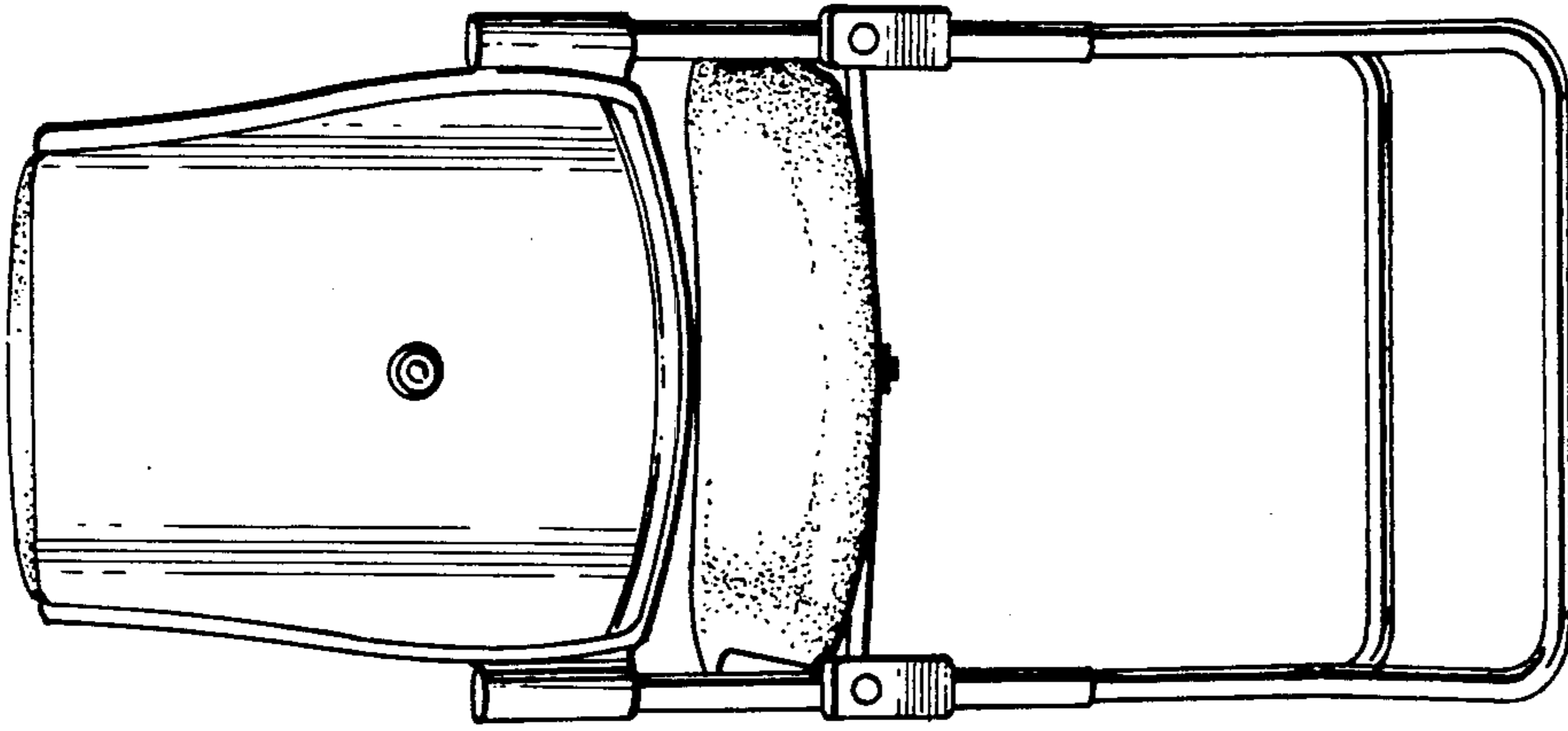


FIG. 5

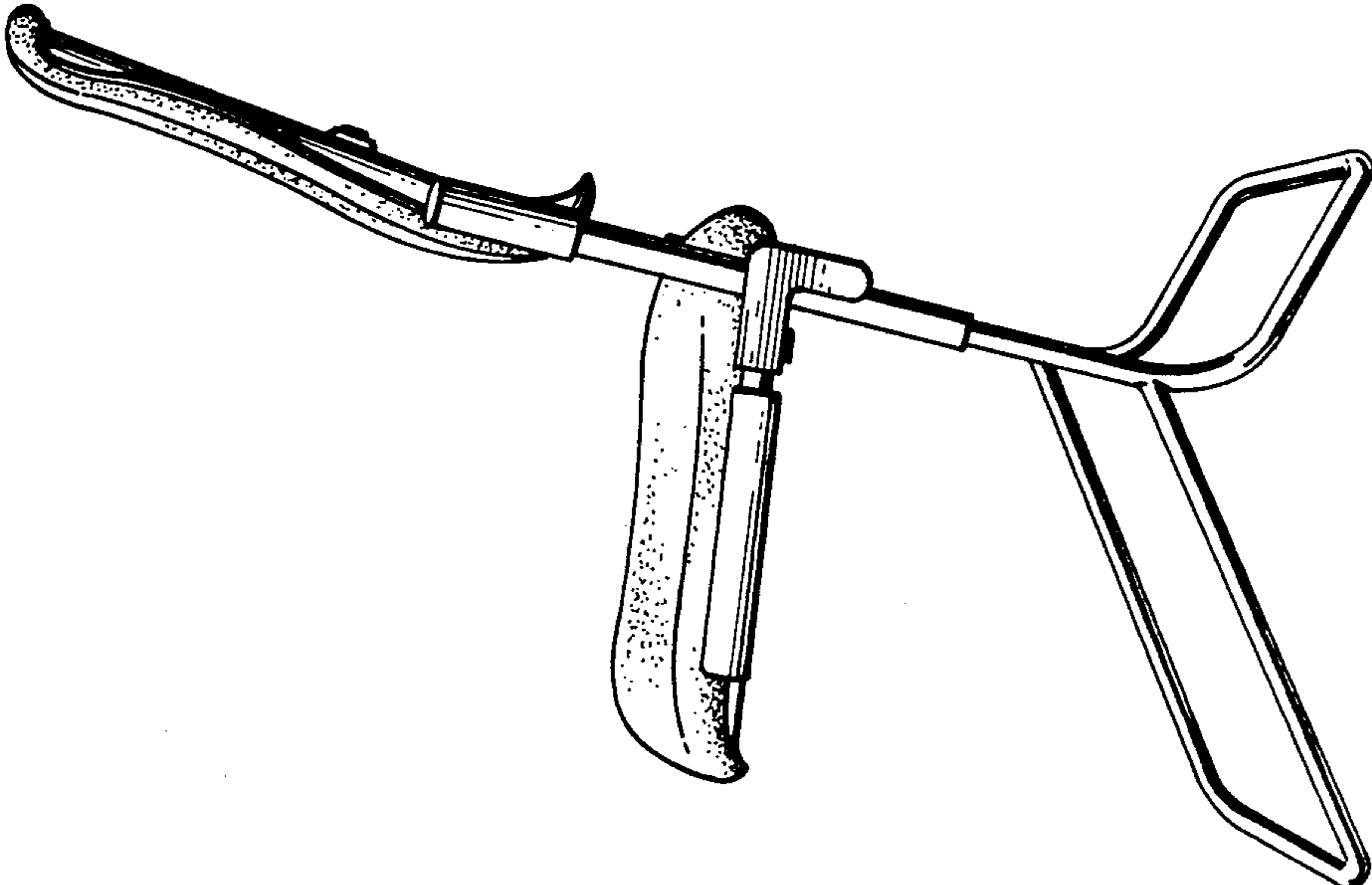


FIG. 4

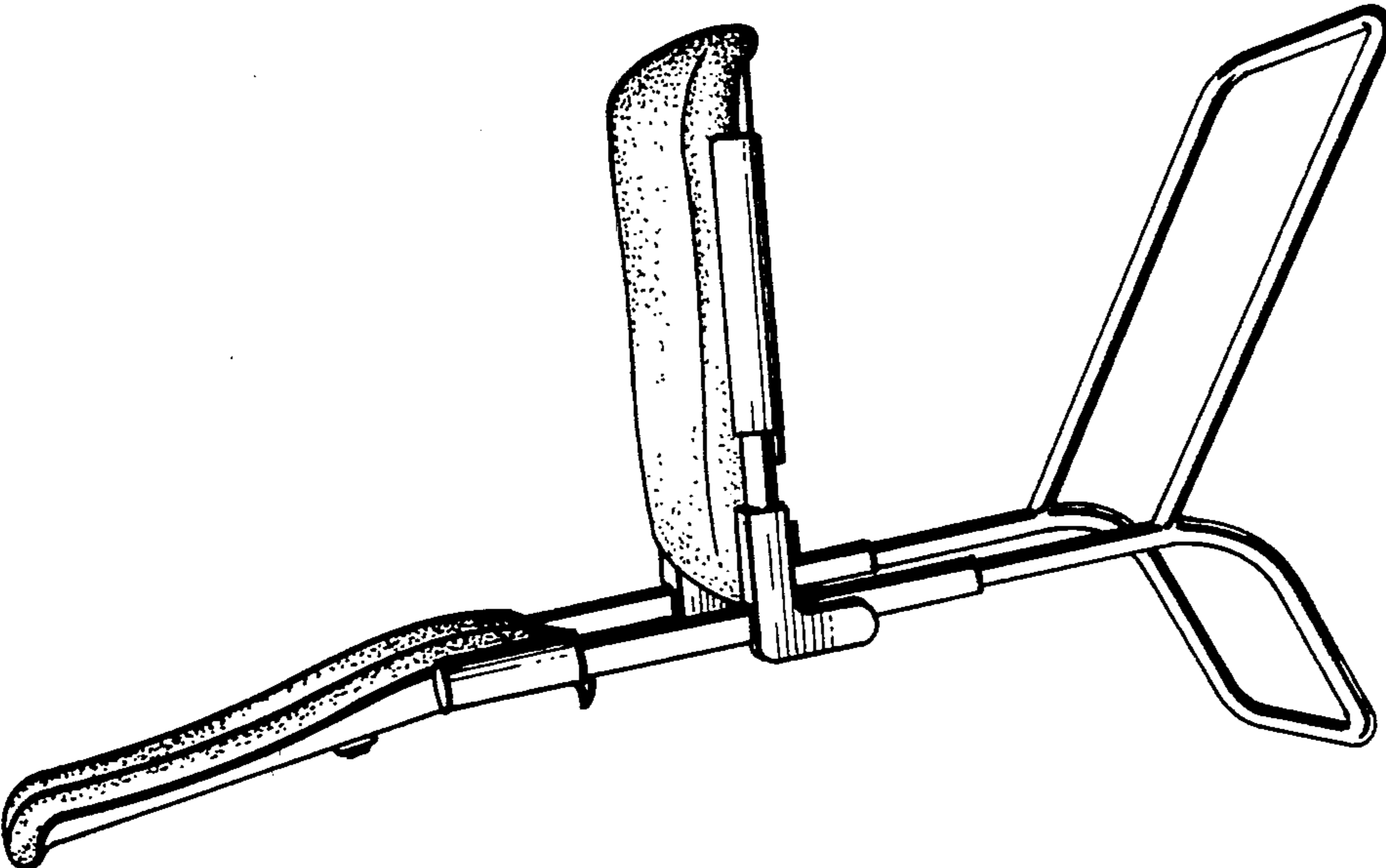


FIG. 3