

[54] SHAVING CUTTER HOLDER

[75] Inventor: Knut O. Yran, Eindhoven, Netherlands

[73] Assignee: U.S. Philips Corporation, New York, N.Y.

[**] Term: 14 Years

[21] Appl. No.: 949,303

[22] Filed: Oct. 6, 1978

[30] Foreign Application Priority Data

Apr. 11, 1978 [GB] United Kingdom 984174/78

[51] Int. Cl. D28-03

[52] U.S. Cl. D28/50

[58] Field of Search D28/50, 49, 45, 44; 30/34 R, 34.1, 41.9, 42, 43, 43.4, 43.5, 43.6, 43.7, 43.8

[56] References Cited

U.S. PATENT DOCUMENTS

D. 208,142	7/1967	Schellens	D28/50
D. 232,275	7/1974	Yamada et al.	D28/50
D. 250,213	11/1978	Takagi et al.	D28/50

Primary Examiner—Donald B. Moyer
Attorney, Agent, or Firm—Thomas A. Briody; William J. Streeter; Rolf E. Schneider

[57] CLAIM

The ornamental design for a shaving cutter holder, as shown and described.

DESCRIPTION

FIG. 1 is a perspective view of a shaving cutter holder showing my new design;

FIG. 2 is a front elevational view thereof;

FIG. 3 is a rear elevational view thereof;

FIG. 4 is a right-side elevational view thereof, the left-side elevational view being a mirror image;

FIG. 5 is a top plan view thereof; and

FIG. 6 is a bottom plan view thereof.

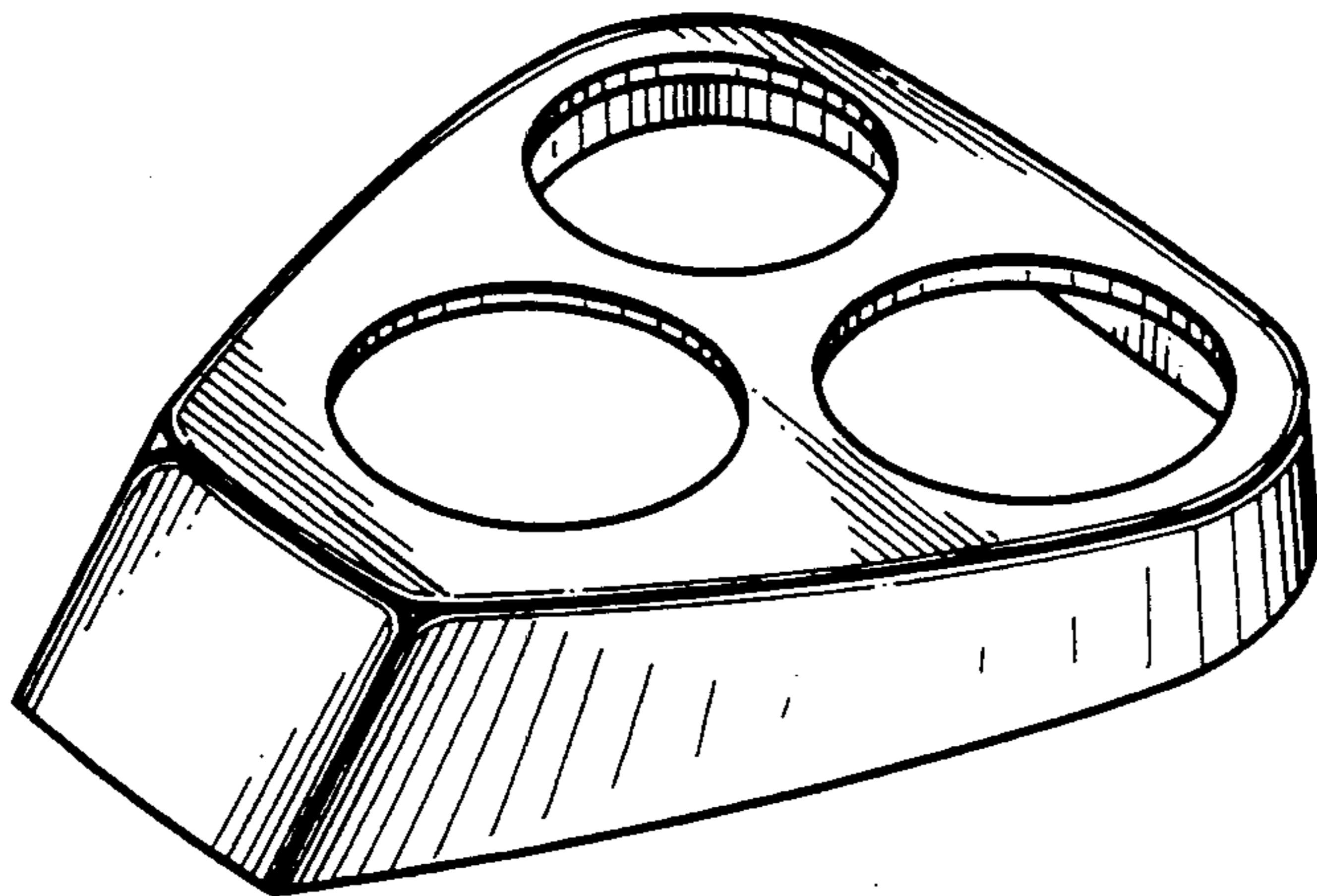


FIG. 1.

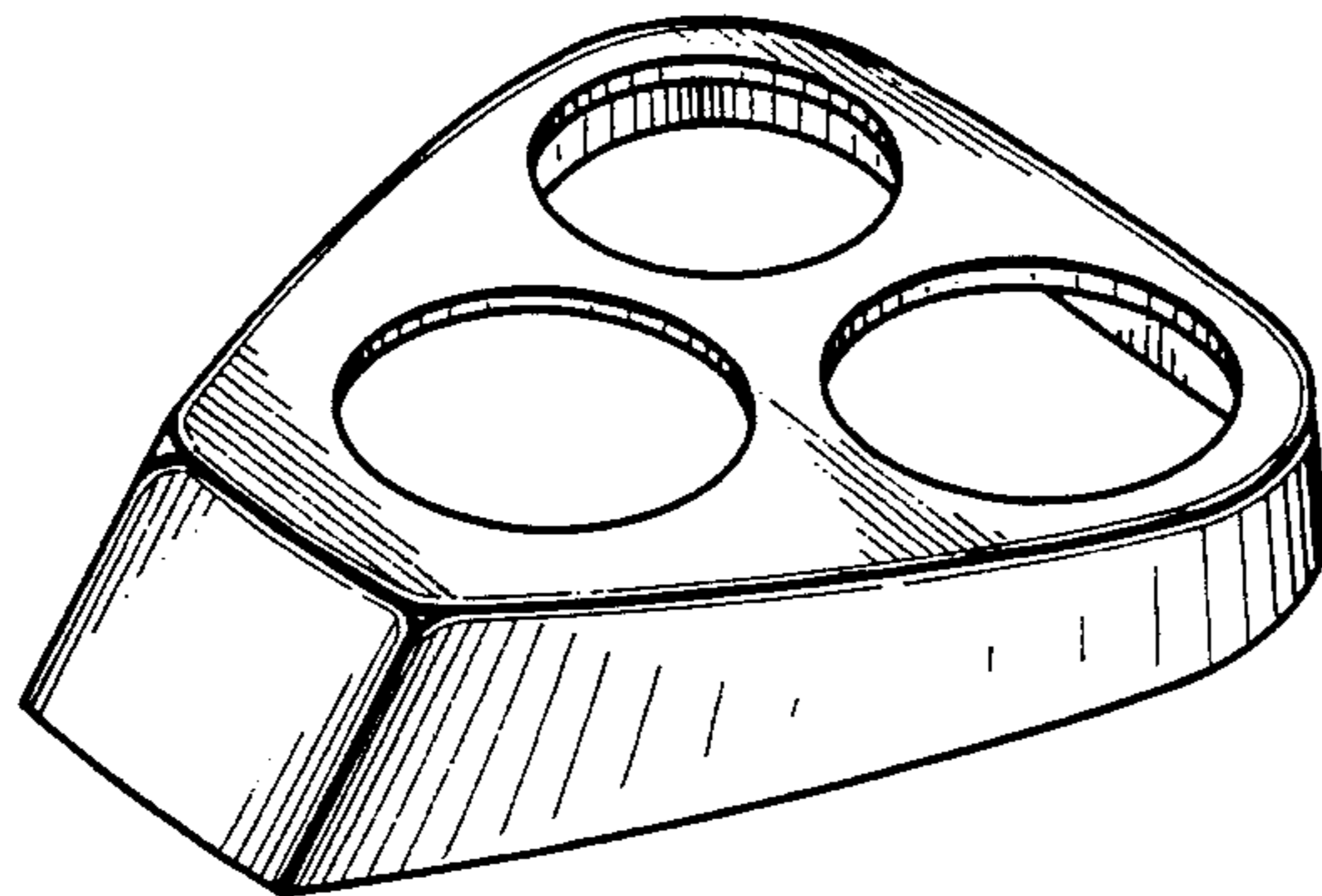


FIG. 2.

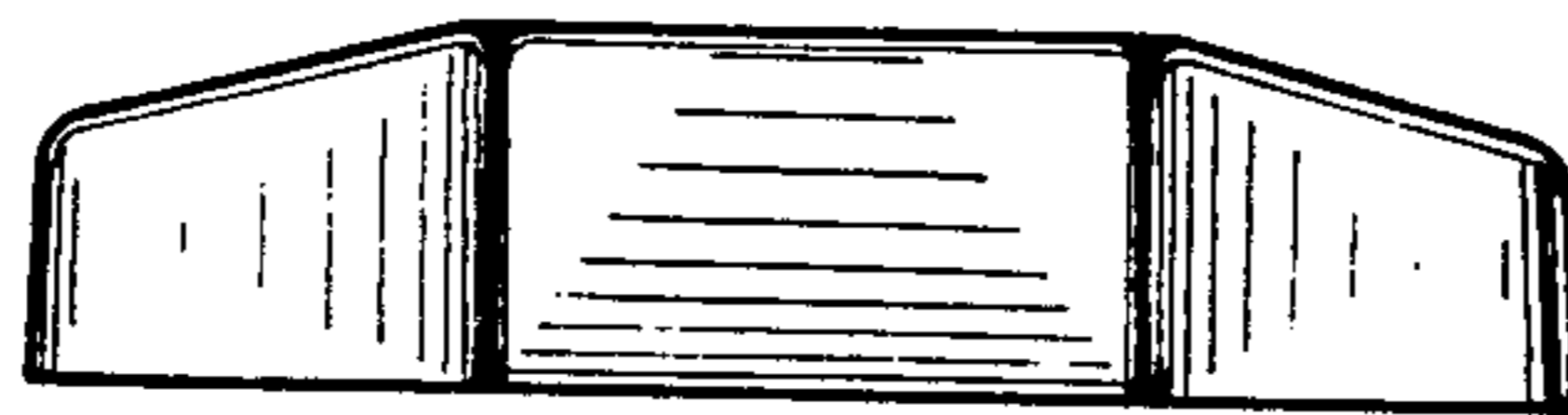


FIG. 3.

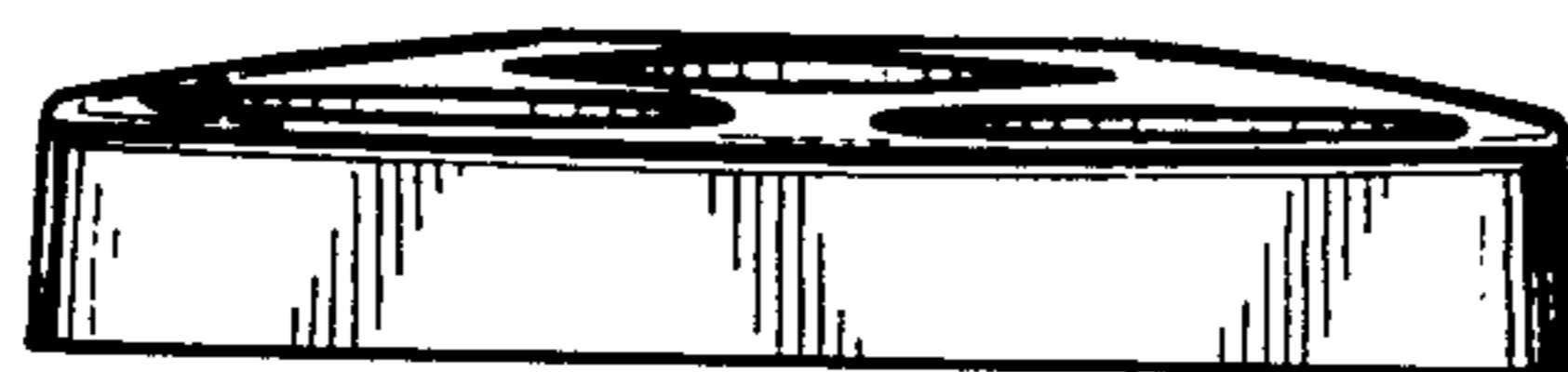


FIG. 4.

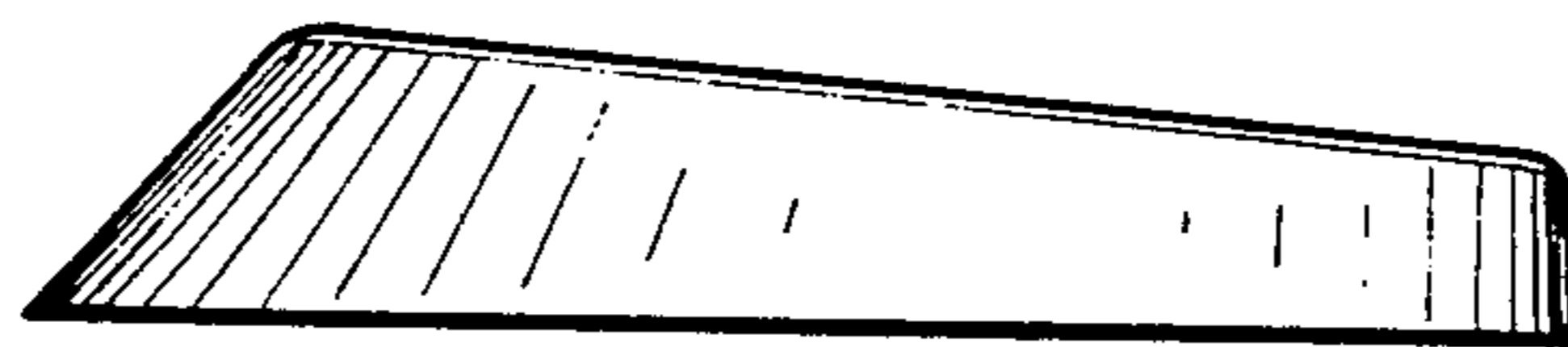


FIG. 5.

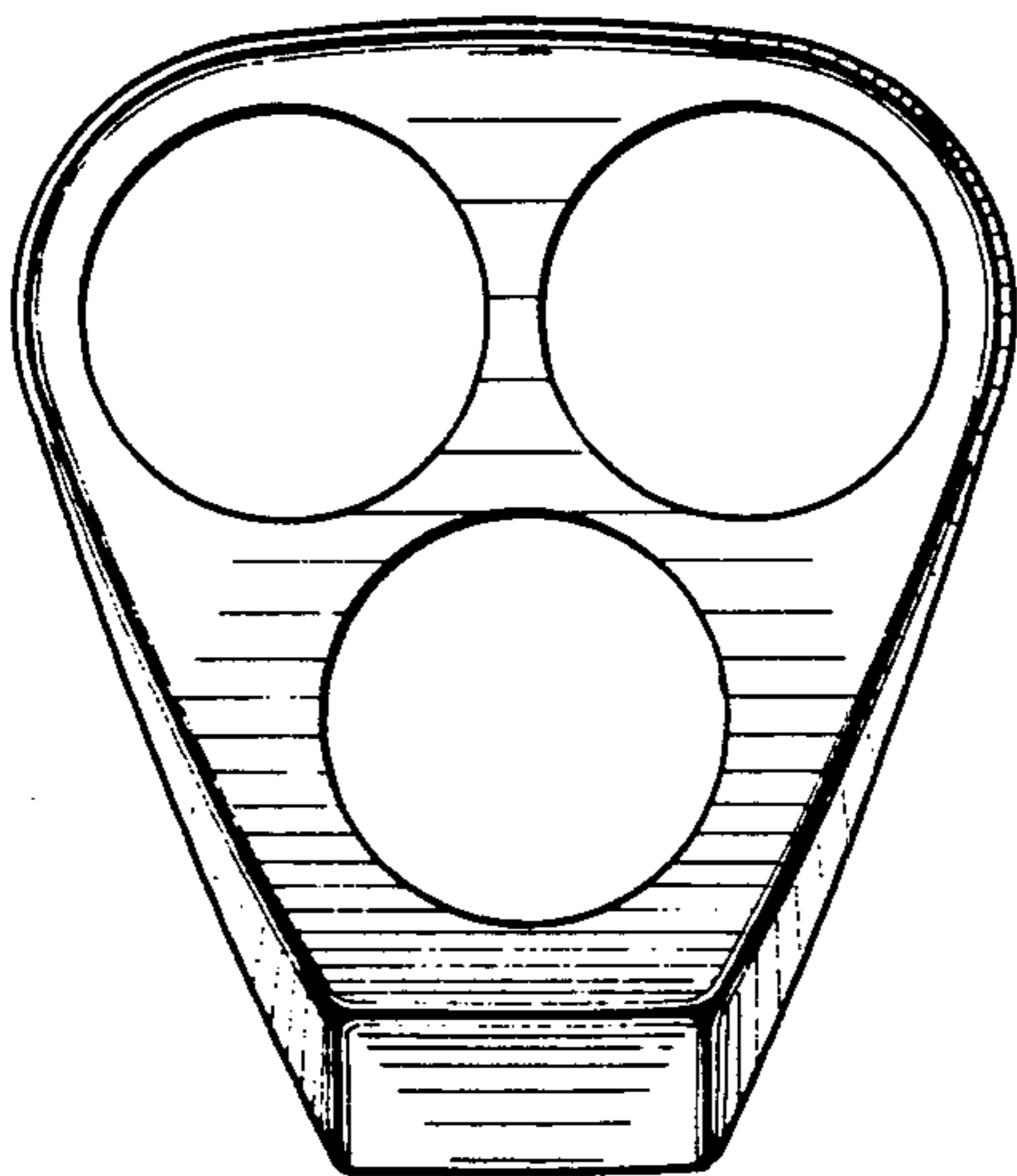


FIG. 6.

