

[54] HAIR STYLER

[75] Inventor: Bing-Yiu Chin, Tsuen Wan, Hong Kong

[73] Assignee: Goodway Manufacturing Limited, New Territories, Hong Kong

[\*\*] Term: 14 Years

[21] Appl. No.: 967,754

[22] Filed: Dec. 8, 1978

[30] Foreign Application Priority Data

Jun. 14, 1978 [GB] United Kingdom ..... 985033/78

[51] Int. Cl. .... D28-03

[52] U.S. Cl. .... D28/35

[58] Field of Search ..... D28/9, 10, 13, 15, 35; 132/7, 9, 37 R, 37 A; 219/222, 225

[56] References Cited

U.S. PATENT DOCUMENTS

D. 239,663 4/1976 Long et al. .... D28/35 X  
3,921,648 11/1975 Barradas ..... 219/225 X

OTHER PUBLICATIONS

*Home Furnishings Daily*, Thurs. 6/20/1974, p. 4, Norelco Styling Wand at center.

Primary Examiner—Louis S. Zarfes  
Attorney, Agent, or Firm—Richard C. Sughrue

[57] CLAIM

The ornamental design for a hair styler, substantially as shown and described.

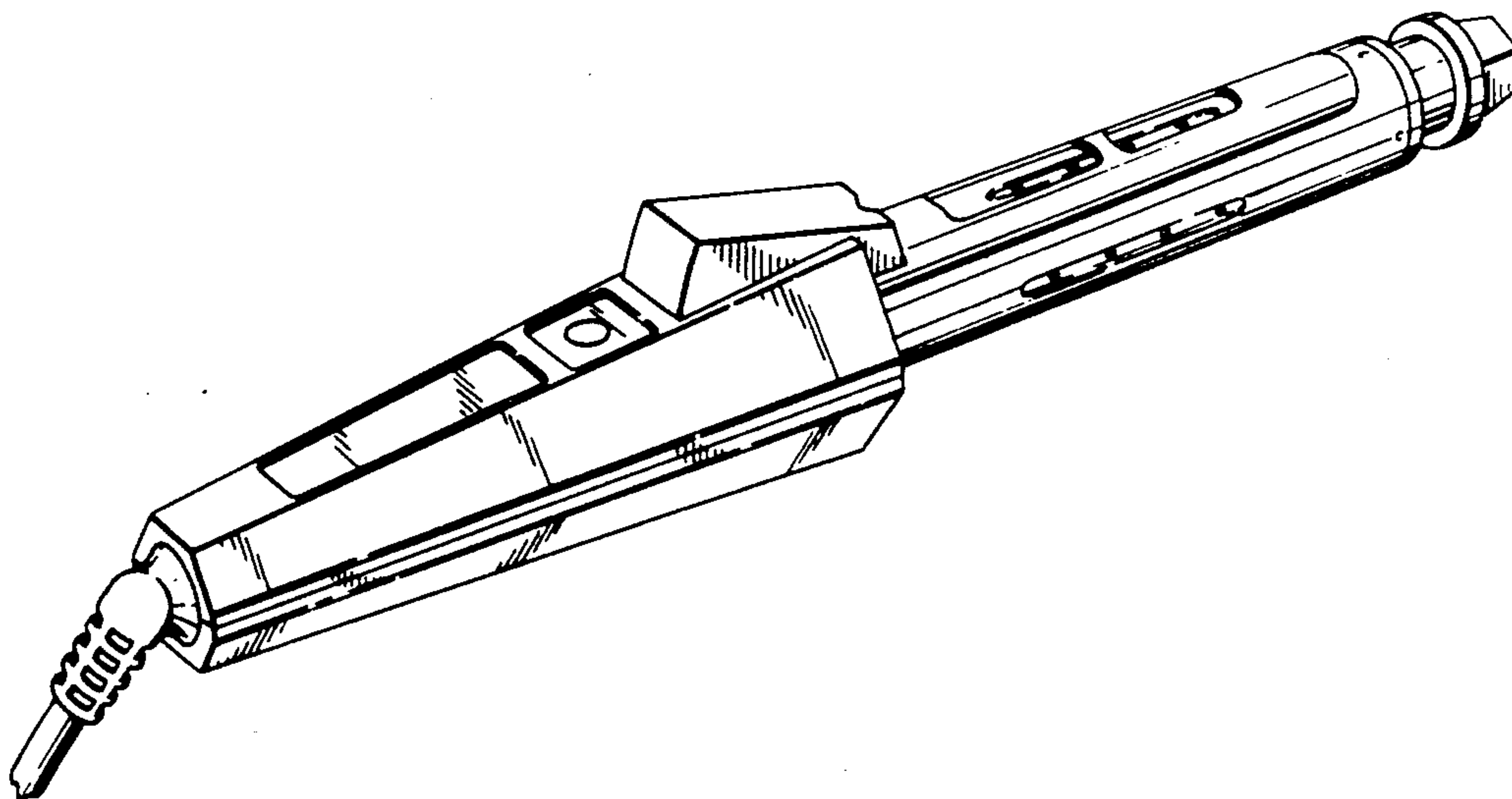
DESCRIPTION

FIG. 1 is a top, right, rear perspective view of a hair styler showing my new design;

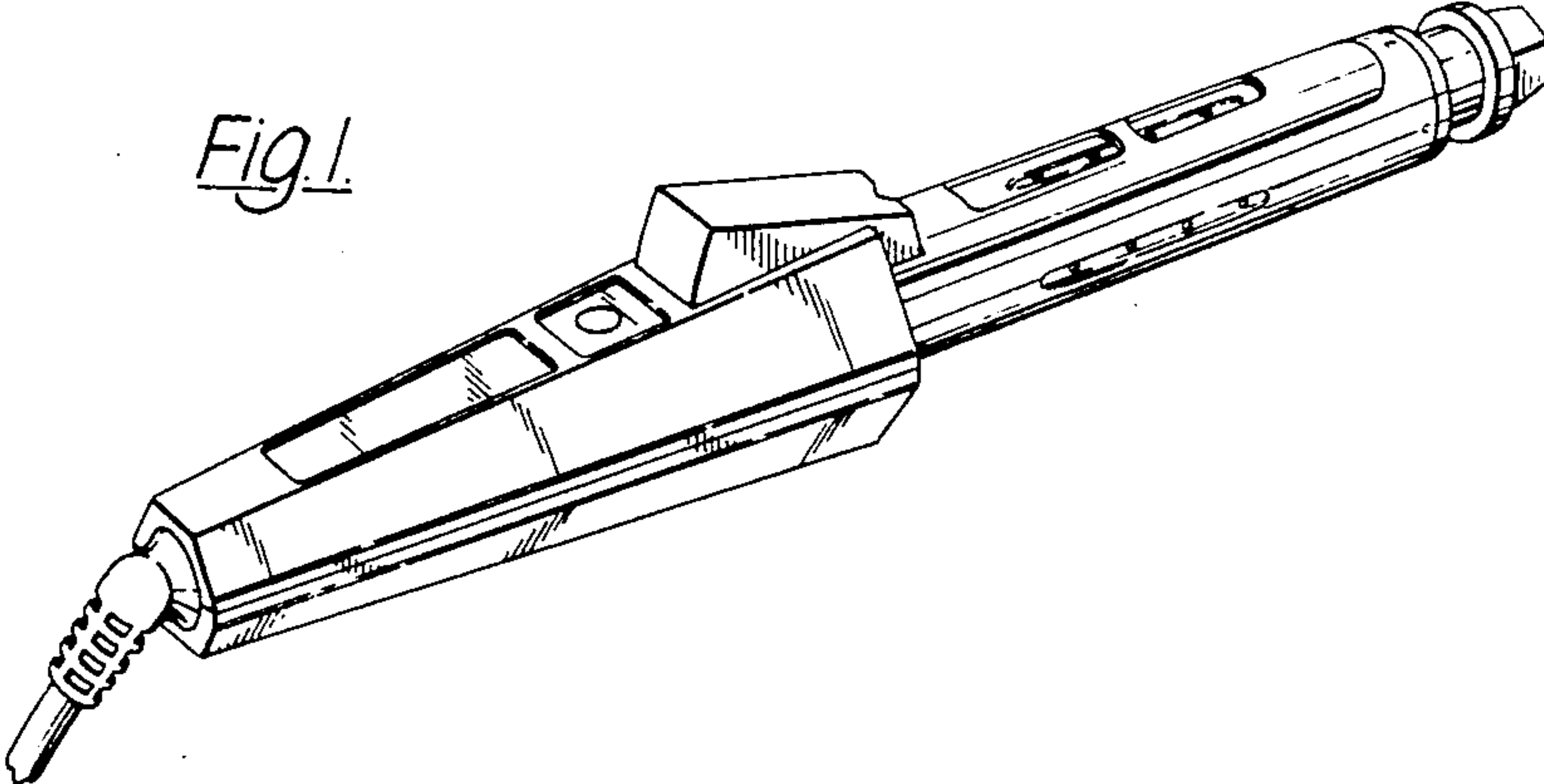
FIG. 2 is a perspective view in the opposite direction; and

FIG. 3 is a right side elevational view thereof with the cord connector in an alternate position.

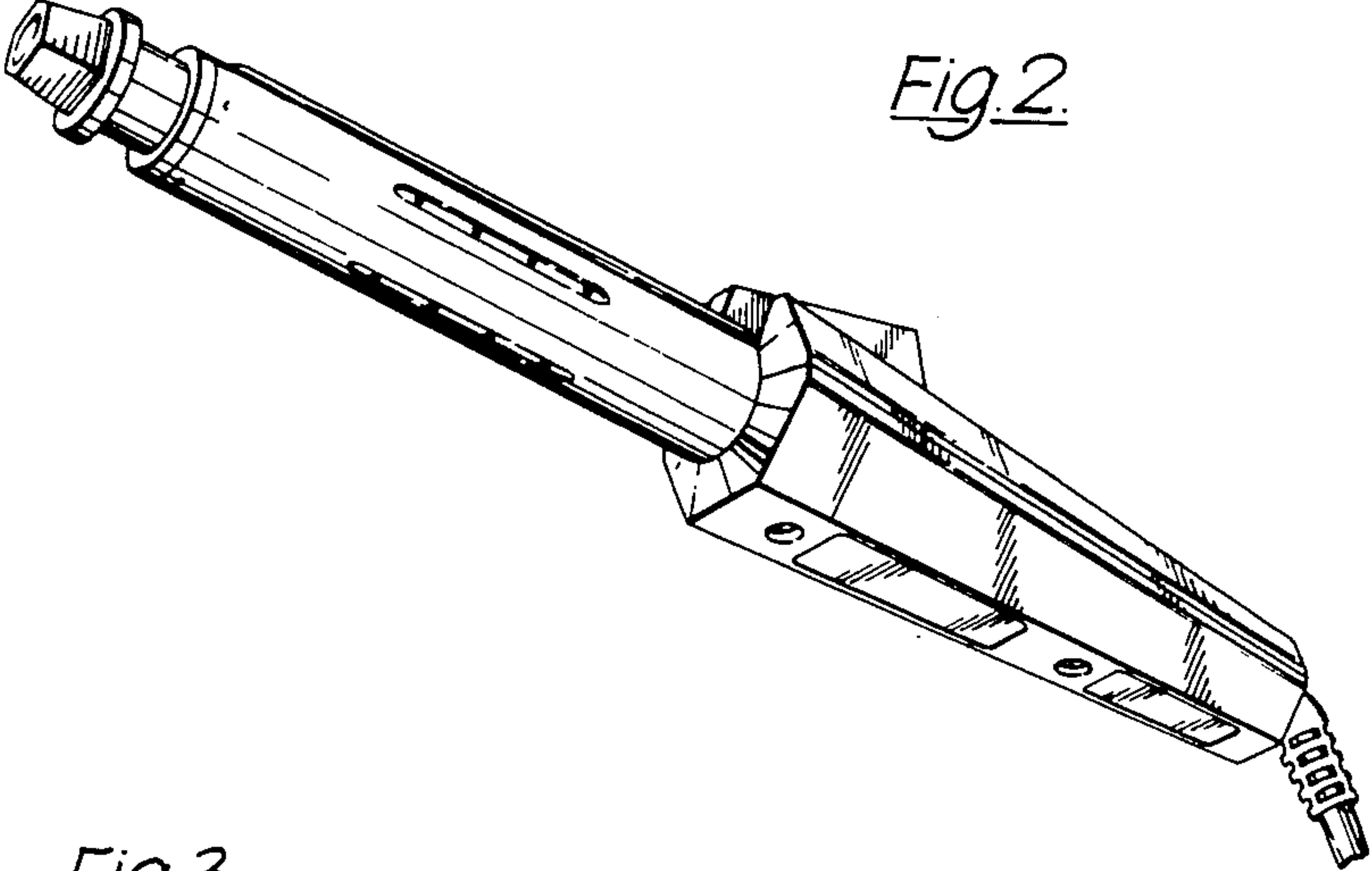
The remainder of the power cord is omitted for ease of illustration.



*Fig. 1.*



*Fig. 2.*



*Fig. 3.*

