

[54] FIREPLACE HEAT EXCHANGER

[75] Inventors: Thomas V. Metz, Portland; W. James Sirois, Beaverton, both of Oreg.

[73] Assignee: Pacific Fireplace Furnishings, Inc., Portland, Oreg.

[**] Term: 14 Years

[21] Appl. No.: 967,377

[22] Filed: Dec. 7, 1978

[51] Int. Cl. D23-03

[52] U.S. Cl. D23/95

[58] Field of Search D23/92-97,
D23/127; D7/207; 126/120, 121, 138, 140, 163
R, 163 A, 164, 165

[56] References Cited

U.S. PATENT DOCUMENTS

D. 254,388 3/1980 Chestnut et al. D23/95
4,192,286 3/1980 Worthington 126/121

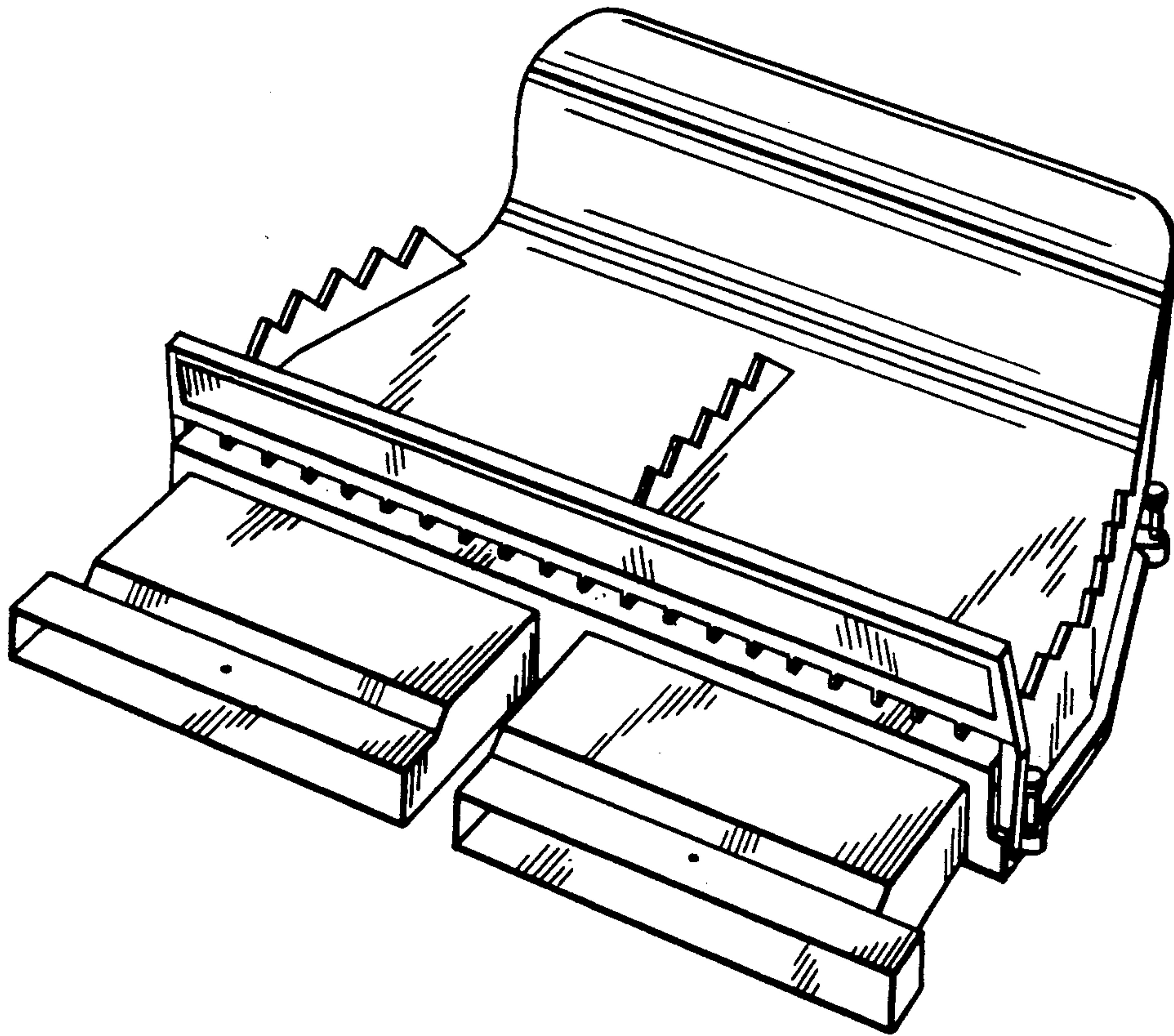
Primary Examiner—Catherine E. Kemper
Attorney, Agent, or Firm—Chernoff & Vilhauer

[57] CLAIM

The ornamental design for a fireplace heat exchanger, as shown and described.

DESCRIPTION

FIG. 1 is a perspective view of a fireplace heat exchanger showing our new design;
FIG. 2 is a plan view thereof;
FIG. 3 is a side elevational view thereof, the side of the heat exchanger now shown herein is a mirror image thereof;
FIG. 4 is a front elevation view thereof;
FIG. 5 is a rear elevational view thereof; and
FIG. 6 is a bottom view thereof.



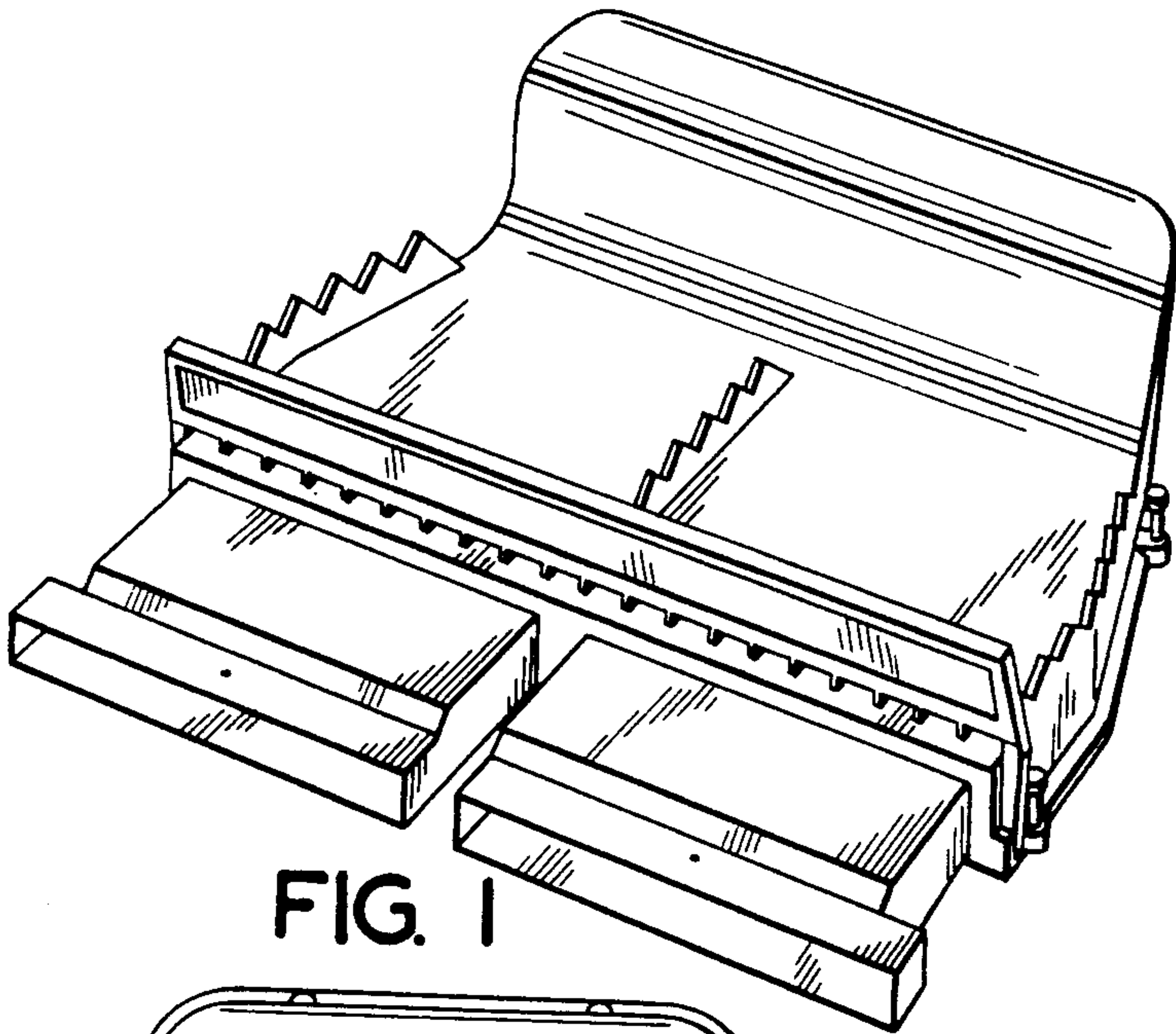


FIG. 1

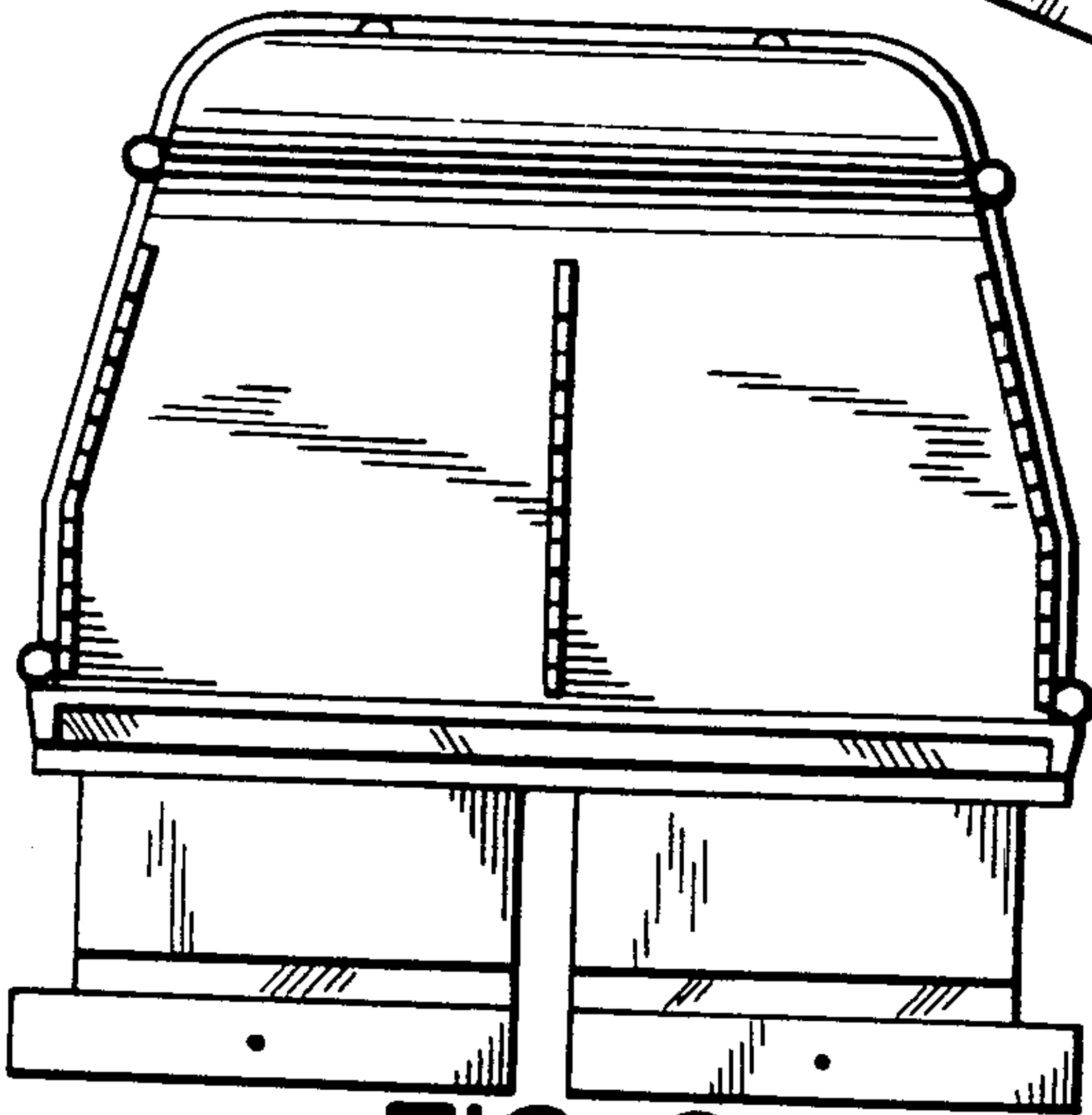


FIG. 2

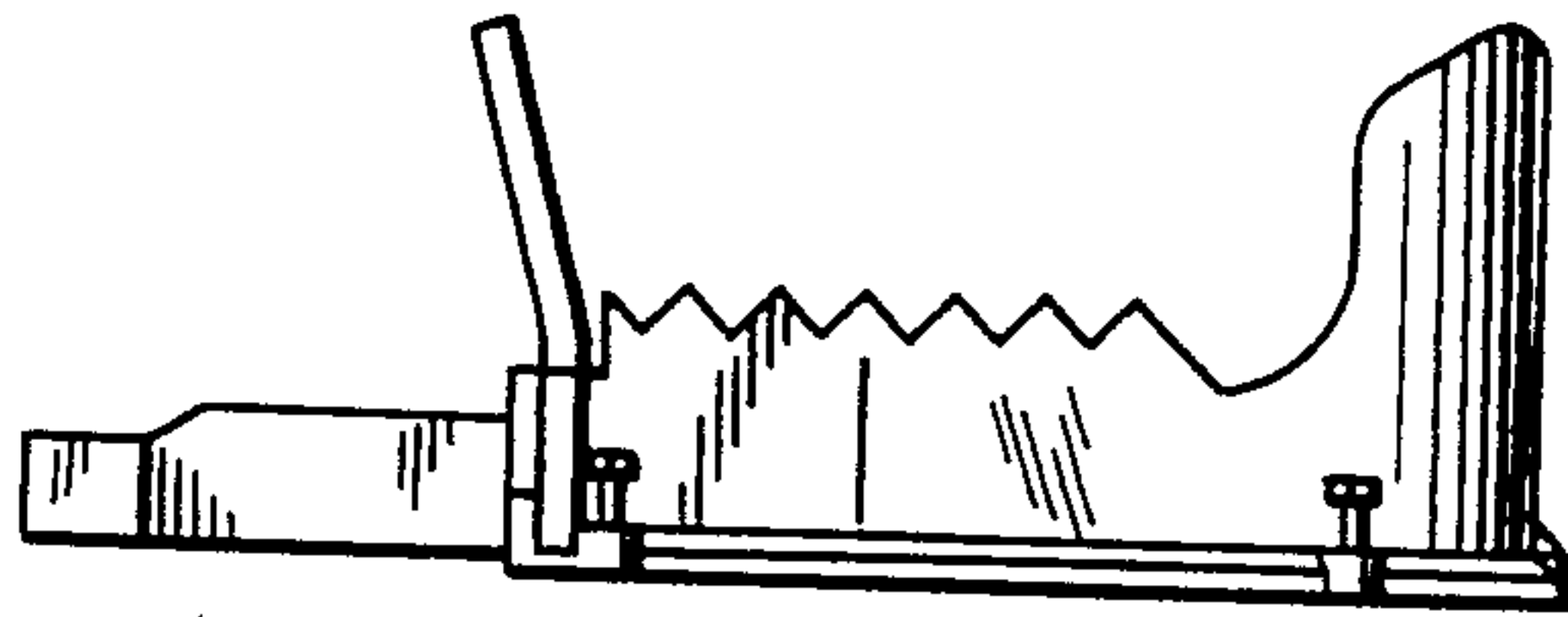


FIG. 3

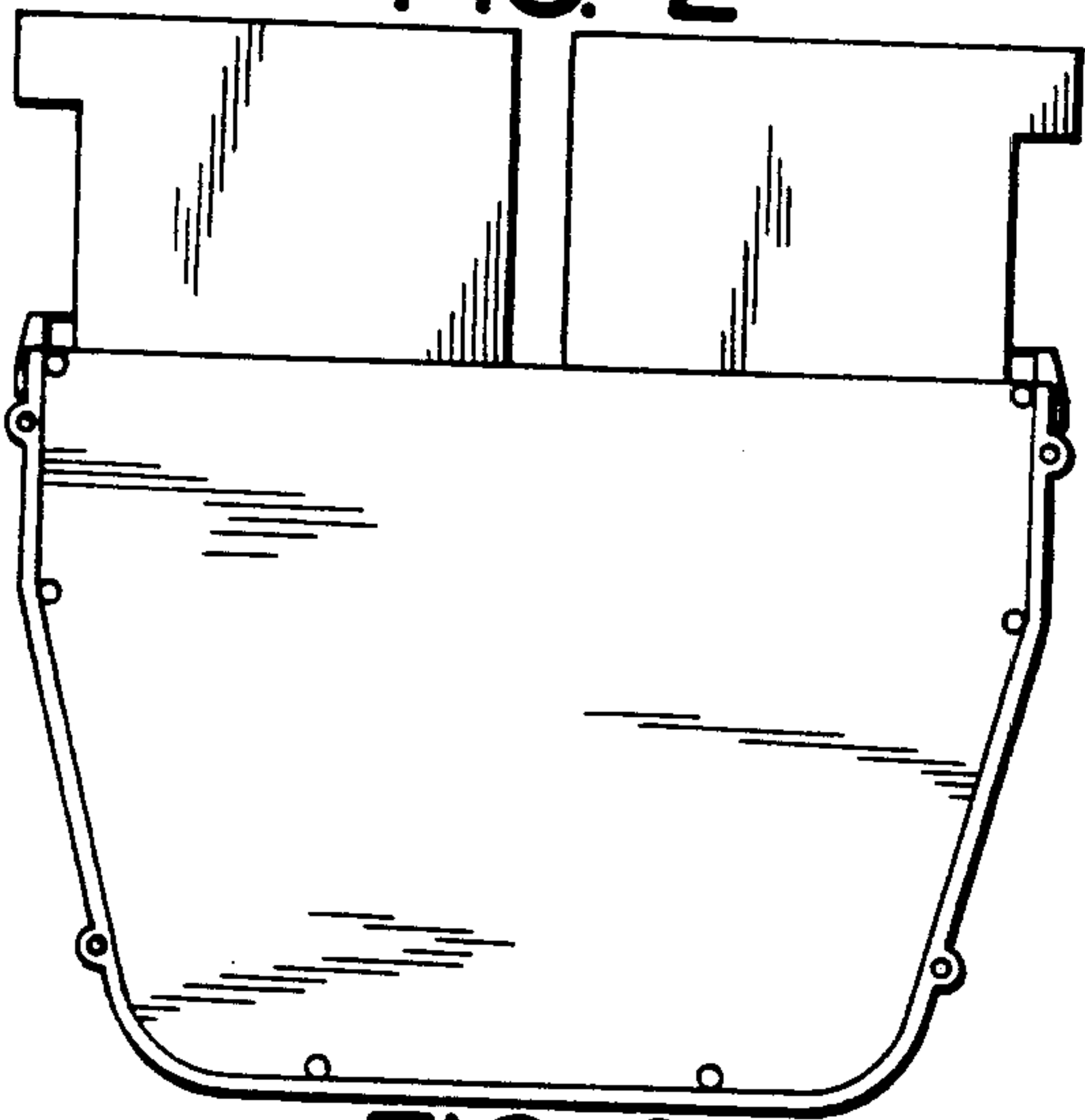


FIG. 6

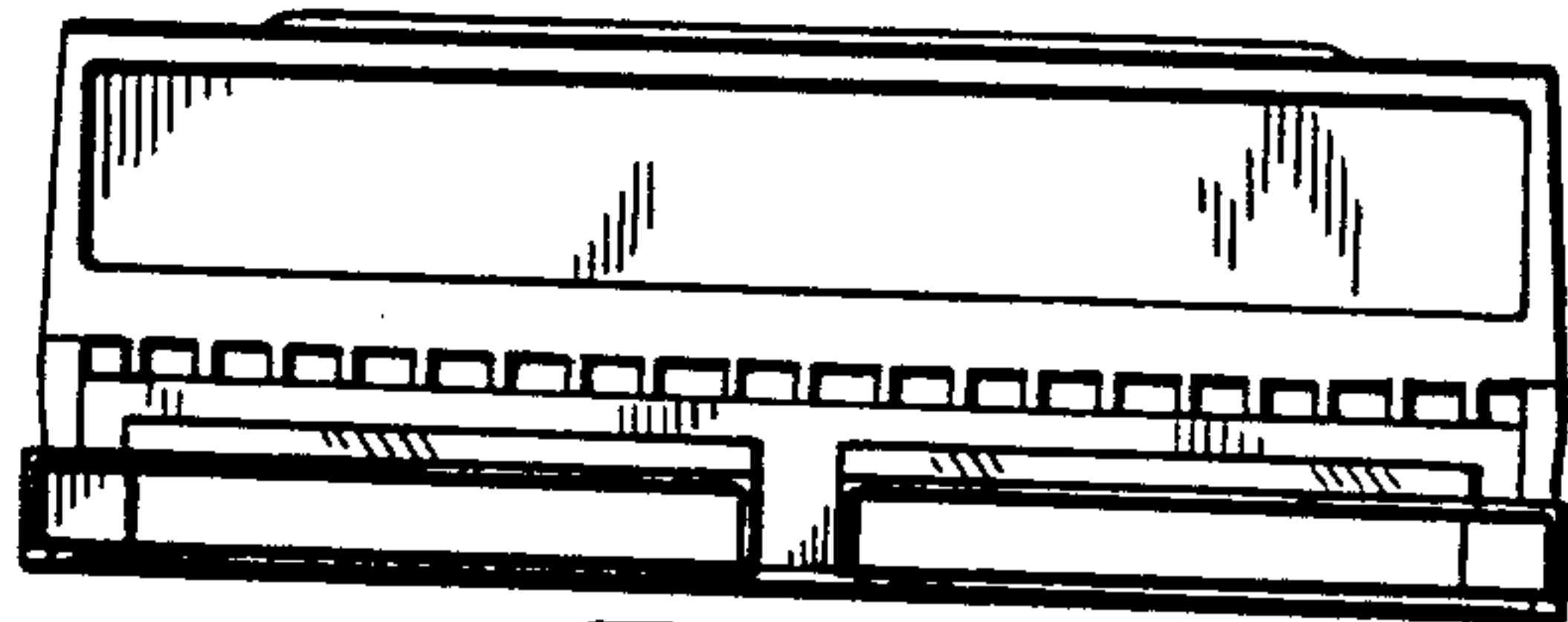


FIG. 4

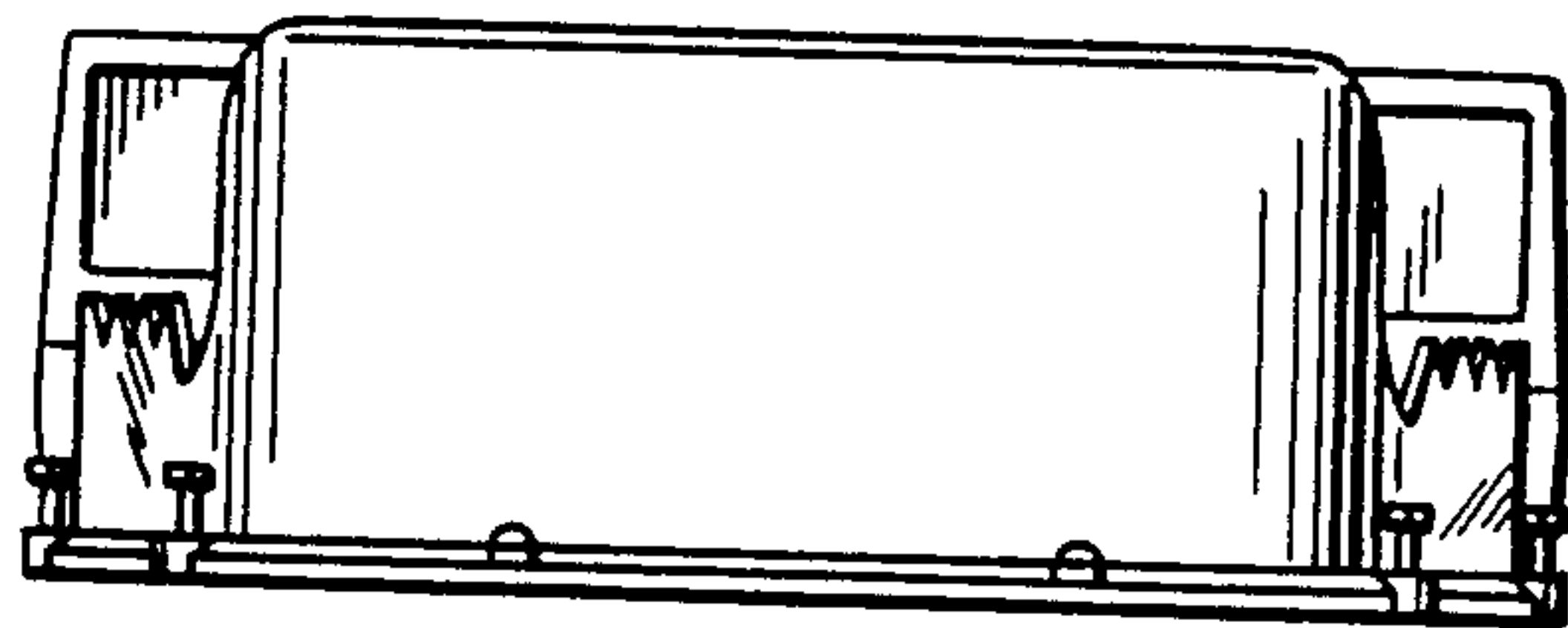


FIG. 5