

[54] VALVE

[75] Inventors: Charles D. Riley, Durham; Charles G. Waddell, Hillsborough, both of N.C.

[73] Assignee: Hydro Service & Supplies, Inc., Durham, N.C.

[**] Term: 14 Years

[21] Appl. No.: 927,711

[22] Filed: Jul. 24, 1978

[51] Int. Cl. D23-01

[52] U.S. Cl. D23/19

[58] Field of Search D23/19-22, D23/40-47; 251/331, 366, 368

[56]

References Cited

U.S. PATENT DOCUMENTS

D. 218,519	8/1970	Mese	D23/19
D. 251,011	2/1979	Krechel et al.	D23/40 X
3,211,416	10/1965	Billeter et al.	251/331
3,246,872	4/1966	Seitsam	251/331
3,614,057	10/1971	Nelson	251/331

Primary Examiner—James R. Largen

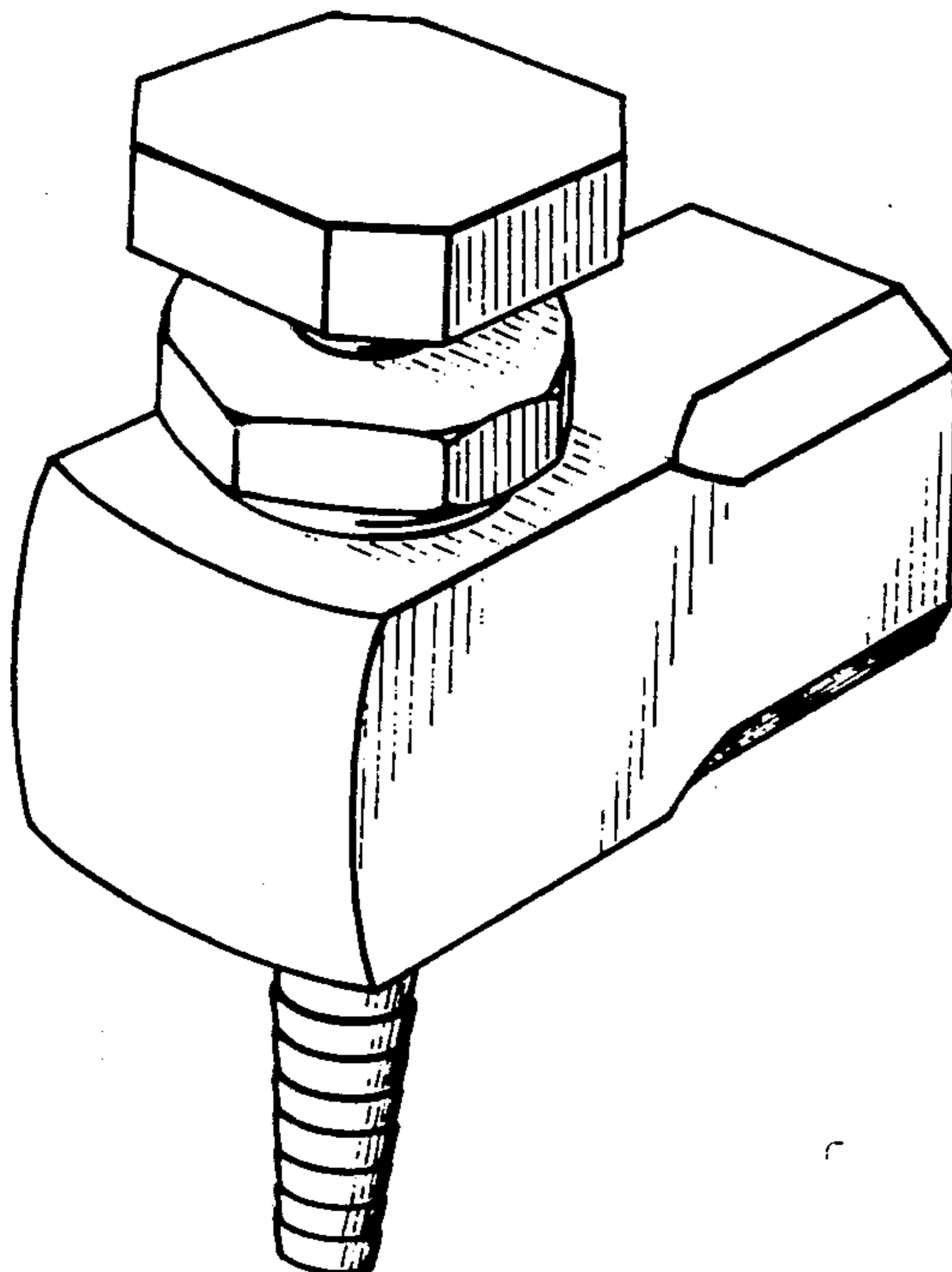
[57]

CLAIM

The ornamental design for a valve, as shown and described.

DESCRIPTION

FIG. 1 is a perspective view taken from the top, front and right side of the valve embodying our new design; FIG. 2 is a rear elevational view thereof; FIG. 3 is a left side elevational view thereof; FIG. 4 is a bottom plan view thereof; and, FIG. 5 is a top plan view thereof.



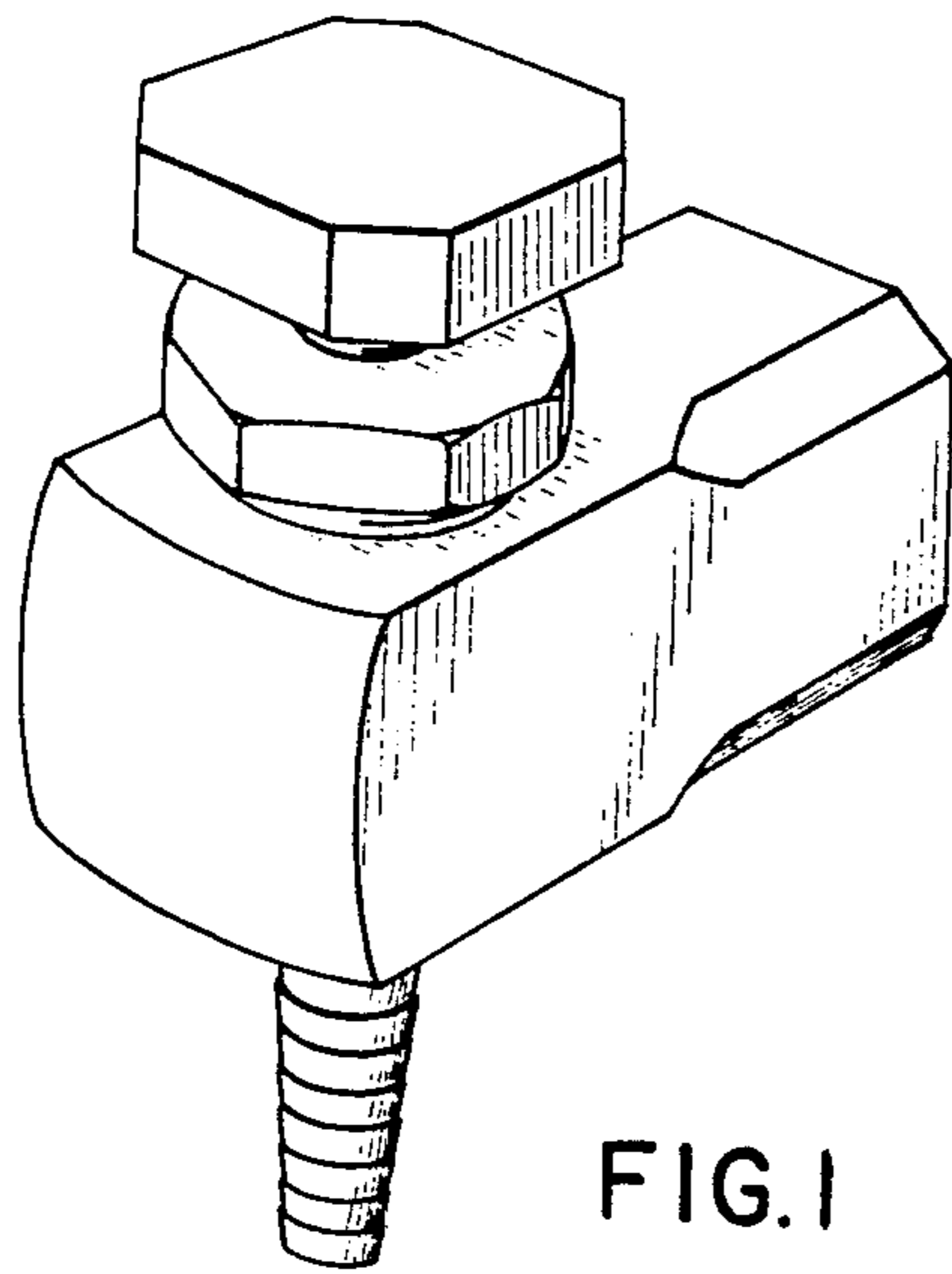


FIG. 1

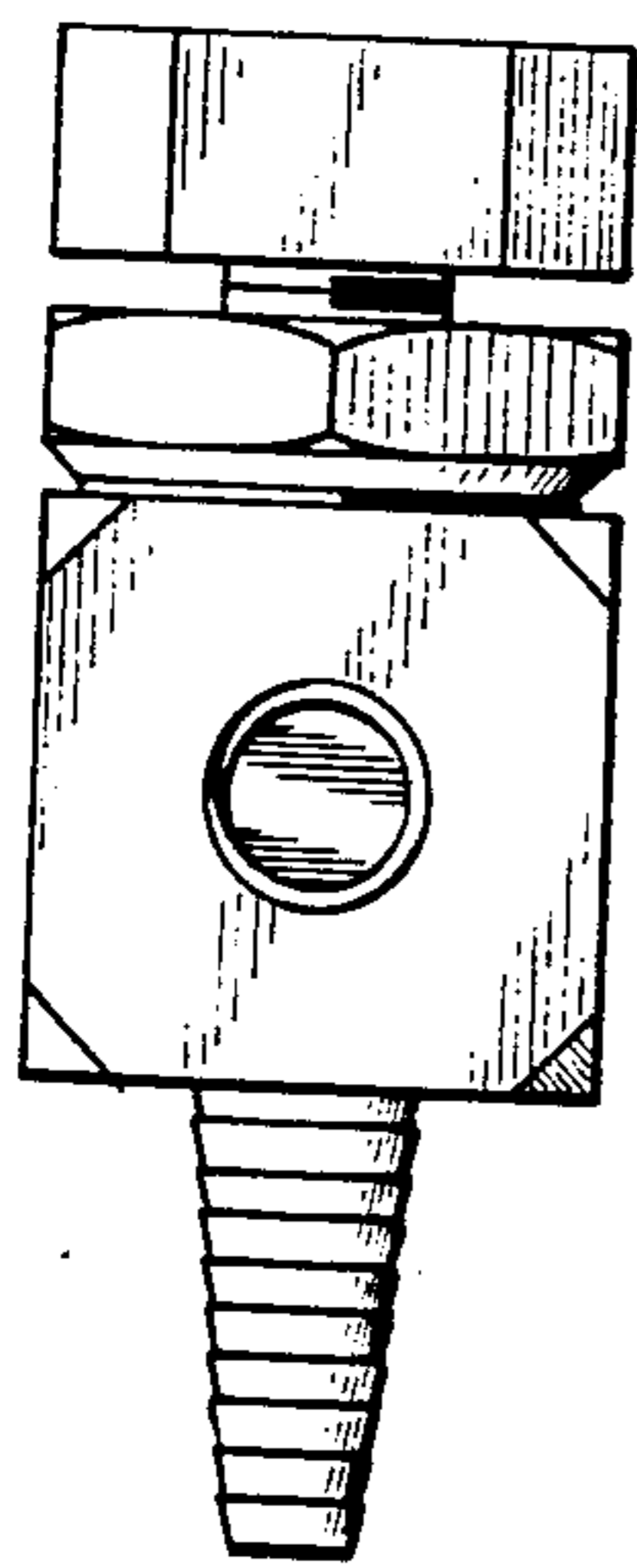


FIG. 2

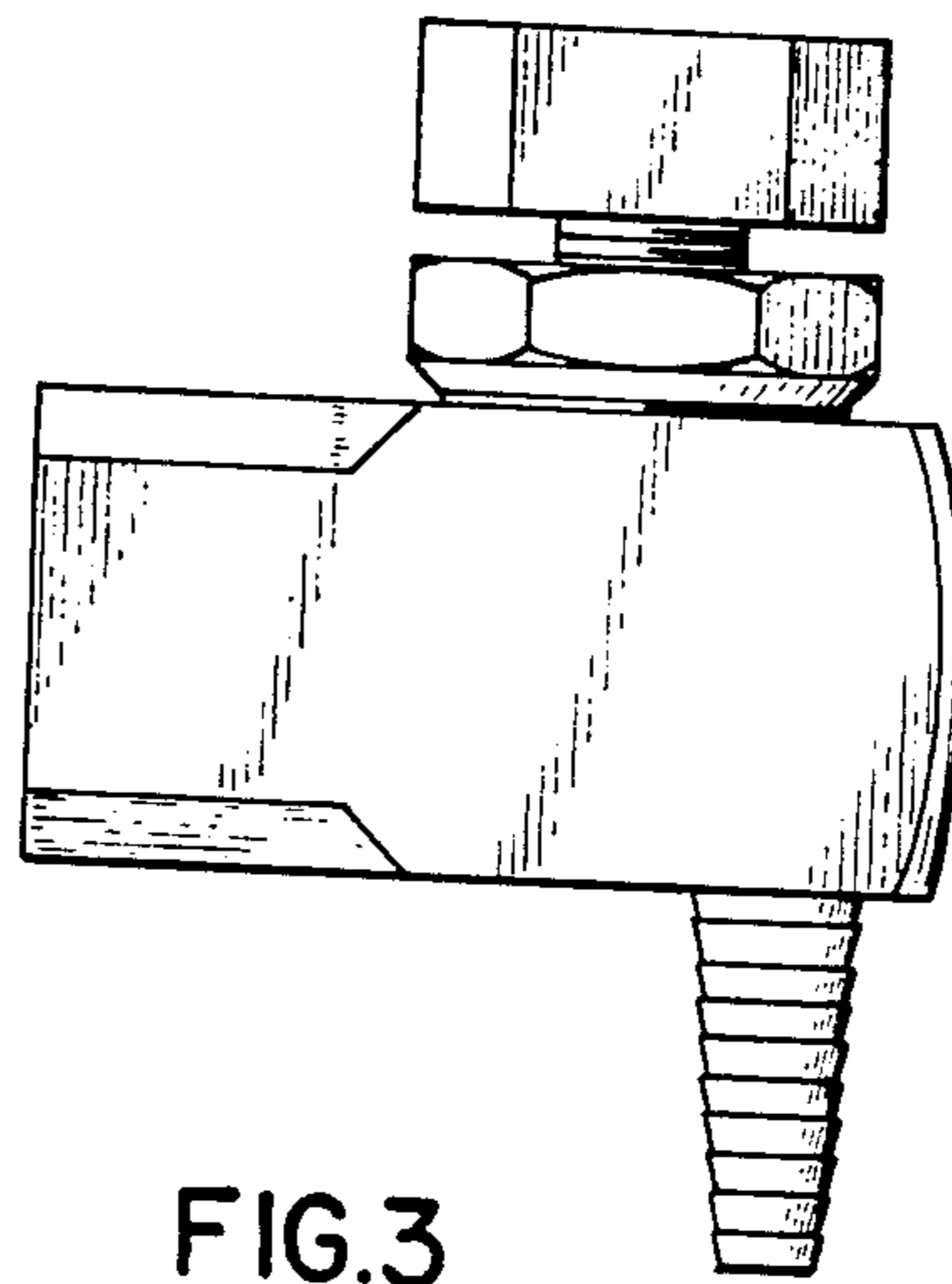


FIG. 3

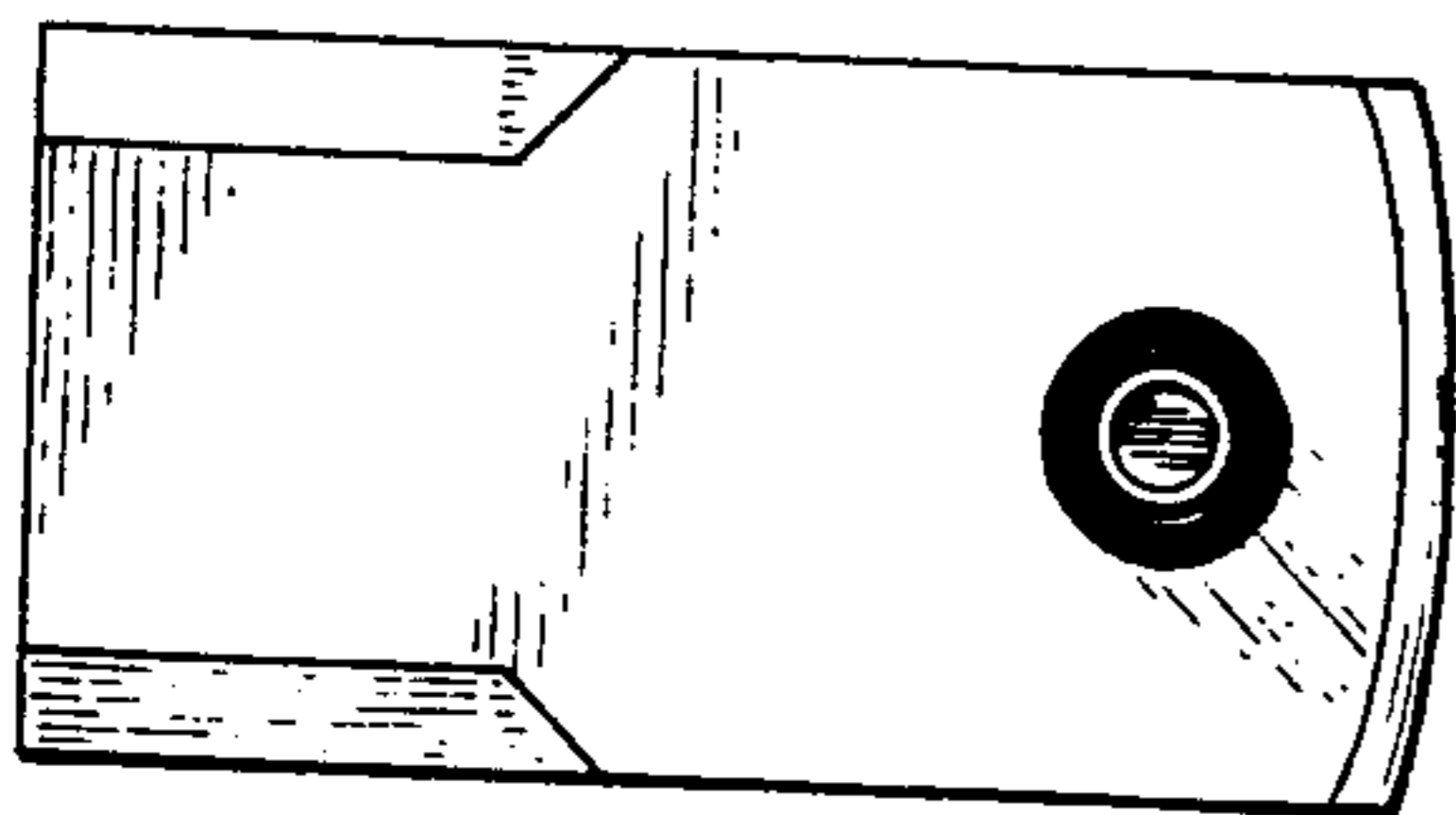


FIG. 4

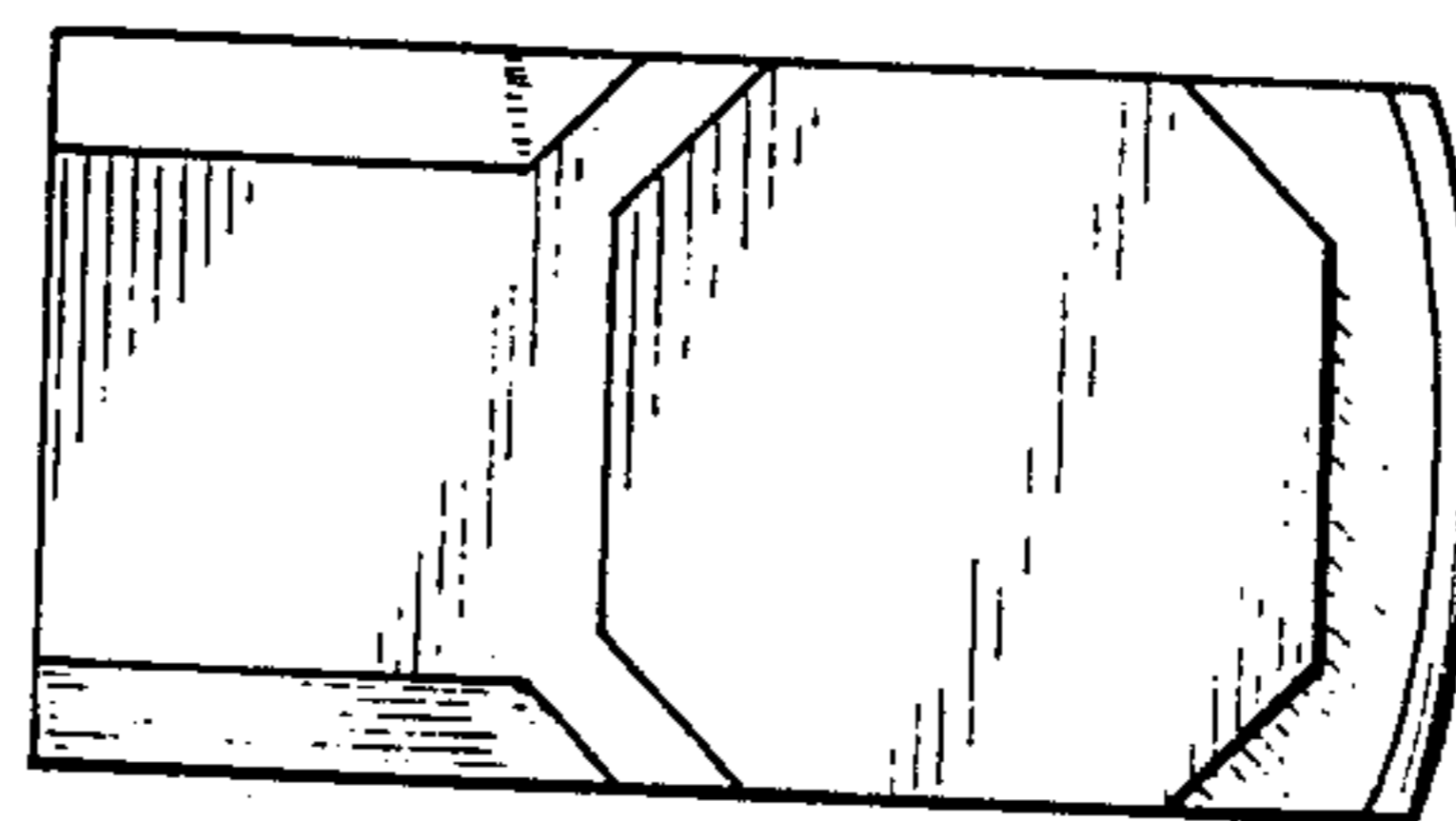


FIG. 5