

[54] POOL TABLE

[75] Inventor: Arnold Kaye, Westport, Conn.

[73] Assignee: Irving Kaye Company, Inc., Stamford, Conn.

[**] Term: 14 Years

[21] Appl. No.: 61,649

[22] Filed: Jul. 30, 1979

[51] Int. Cl. D21-01

[52] U.S. Cl. D21/232; D6/161; D6/177

[58] Field of Search D21/232; D6/177, 179, D6/161, 162, 32, 36, 58; 273/3 R, 3 C

[56] References Cited

U.S. PATENT DOCUMENTS

D. 200,466 3/1965 Eby D6/58

OTHER PUBLICATIONS

Firestone Wholesale Cat., Jan., 1960, p. 255, lower right, Pool Table.

Primary Examiner—Melvin B. Feifer
Attorney, Agent, or Firm—Darby & Darby

[57] CLAIM

The ornamental design for a pool table, as shown and described.

DESCRIPTION

FIG. 1 is a perspective view of a pool table showing my new design;
FIG. 2 is a plan view thereof;
FIG. 3 is an elevation view of one side, the other side view being a mirror image thereof;
FIG. 4 is an end view thereof, the other end view being a mirror image thereof; and
FIG. 5 is a bottom view.

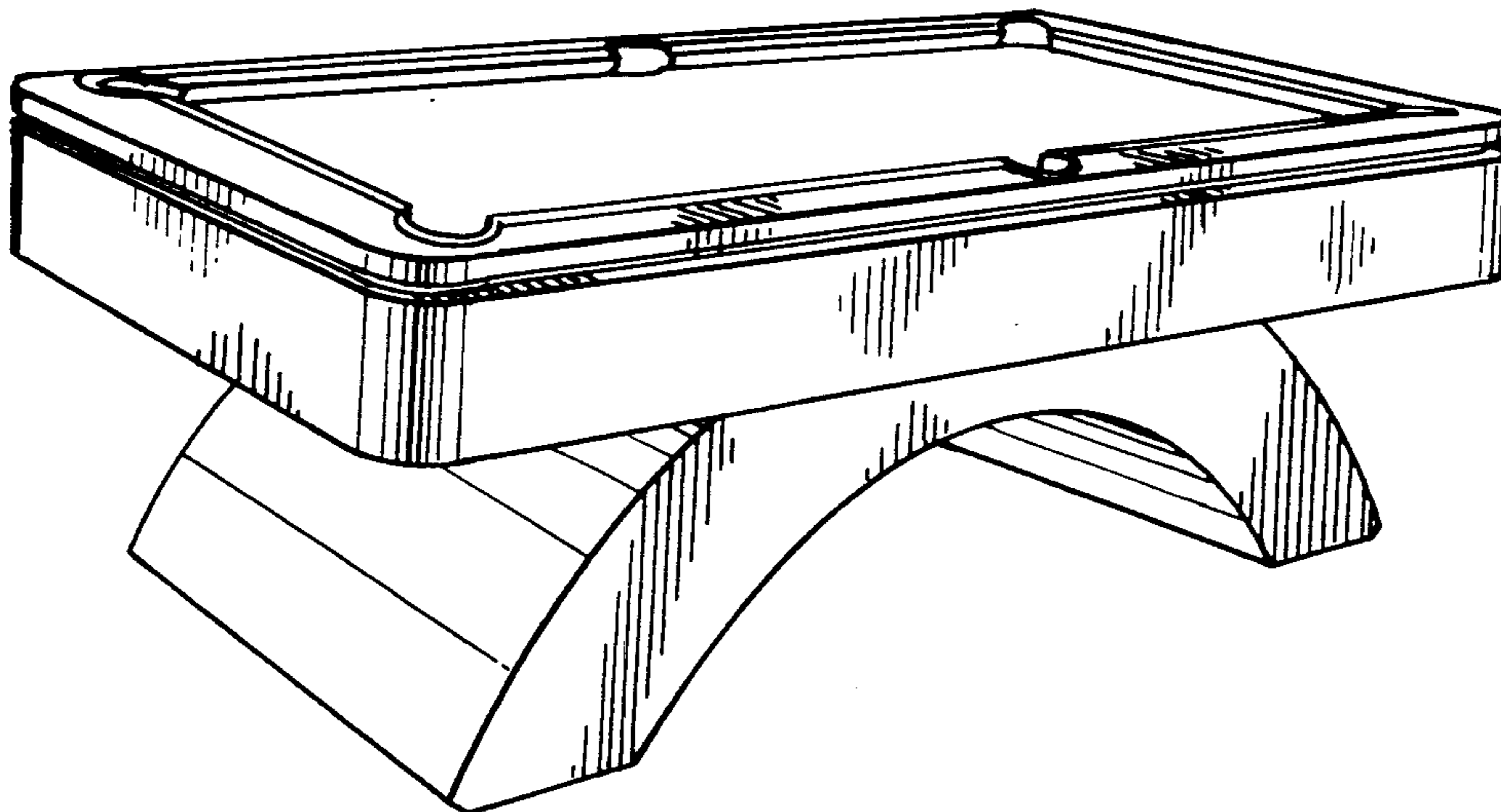


FIG. 1

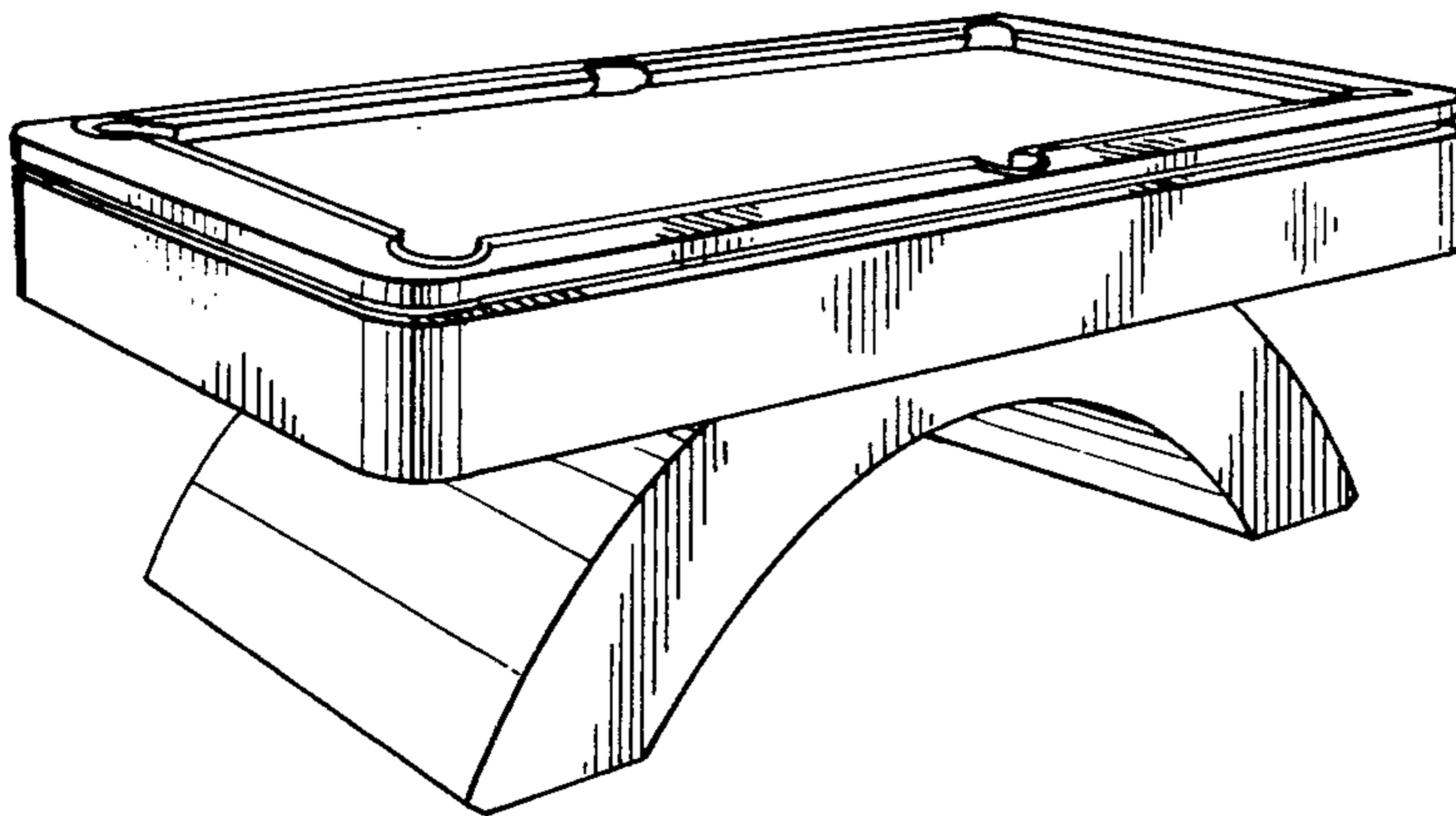


FIG. 2

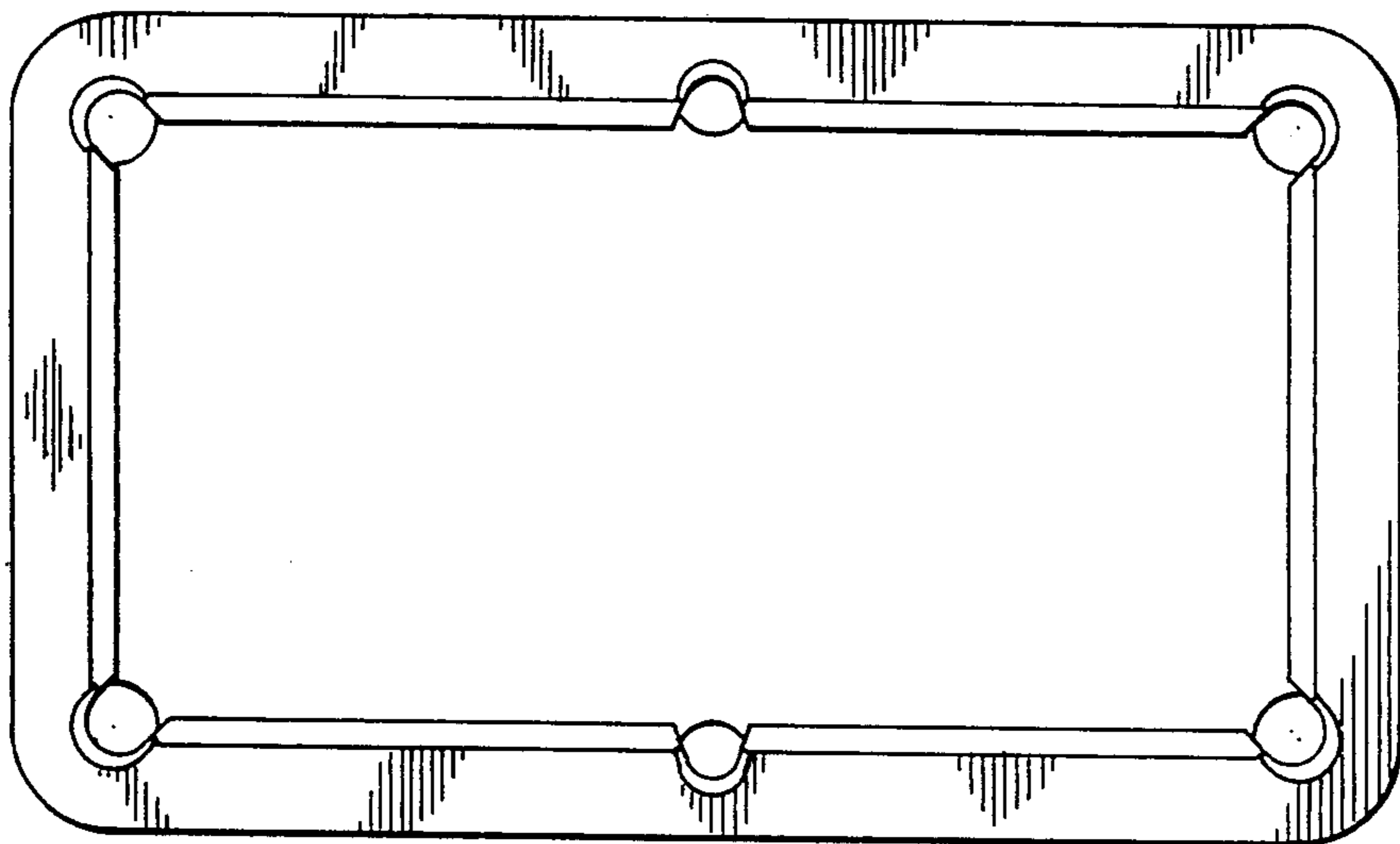


FIG. 3

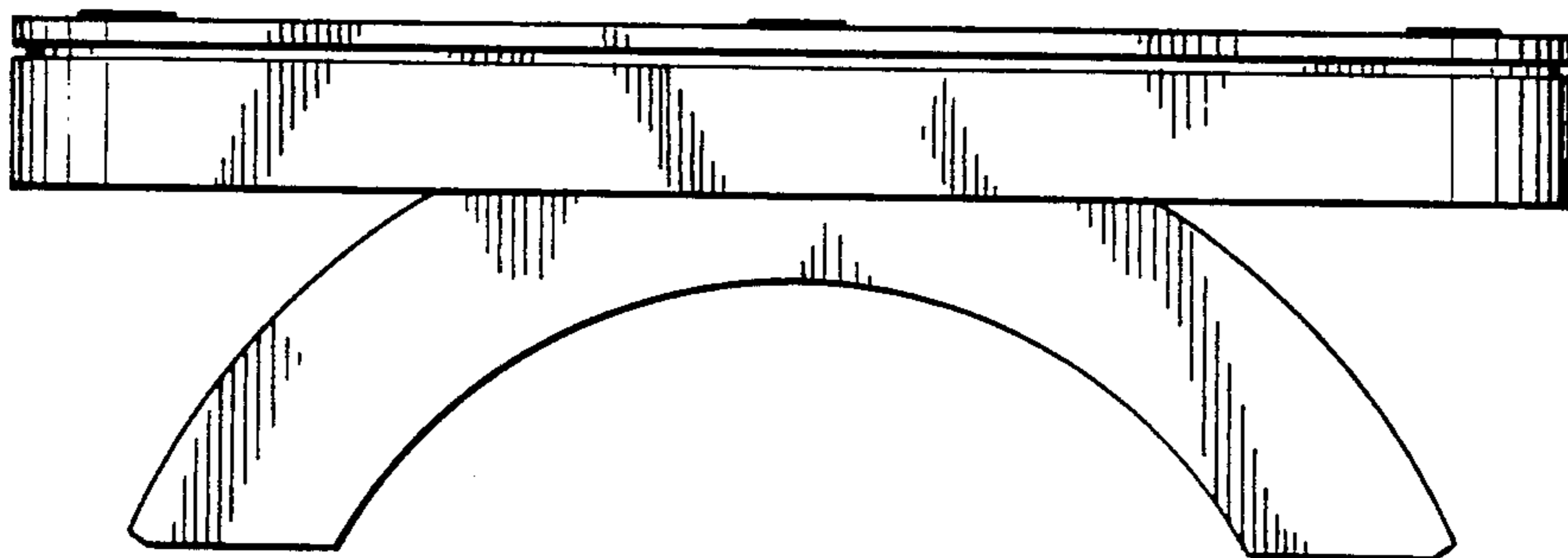


FIG. 4

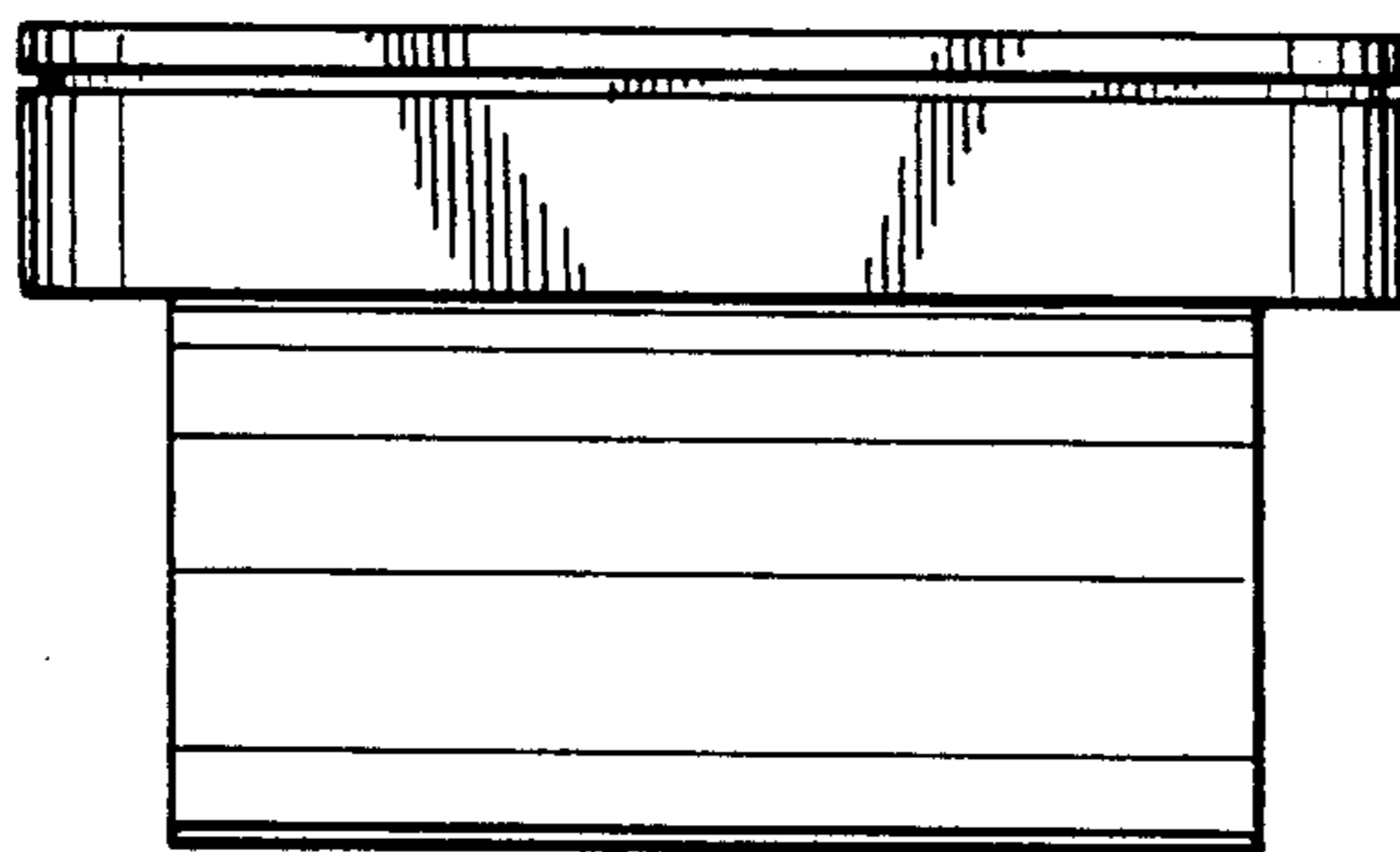


FIG. 5

