

[54] CASING FOR A WRITING INSTRUMENT

[75] Inventor: Olof V. Anderson, North Kingstown, R.I.

[73] Assignee: Anson Incorporated, Providence, R.I.

[**] Term: 14 Years

[21] Appl. No.: 924,451

[22] Filed: Jul. 13, 1978

[51] Int. Cl. D19-06

[52] U.S. Cl. D19/48; D19/51

[58] Field of Search D19/35, 41-51, D19/54-56; D28/89

[56] References Cited

U.S. PATENT DOCUMENTS

- D. 102,720 1/1937 Larsen D19/48
- D. 153,713 5/1949 Lohr et al. D19/48
- D. 157,471 2/1950 Doux D19/48

- D. 176,321 12/1955 Guild et al. D28/89
- D. 242,855 12/1976 Grinberg D19/49

OTHER PUBLICATIONS

Fahrney's Cat.d Pine Writing Inst. 11/25/77, p. 4A.

Primary Examiner—George P. Word

Attorney, Agent, or Firm—William Frederick Werner

[57] CLAIM

The ornamental design for a casing for a writing instrument, as shown and described.

DESCRIPTION

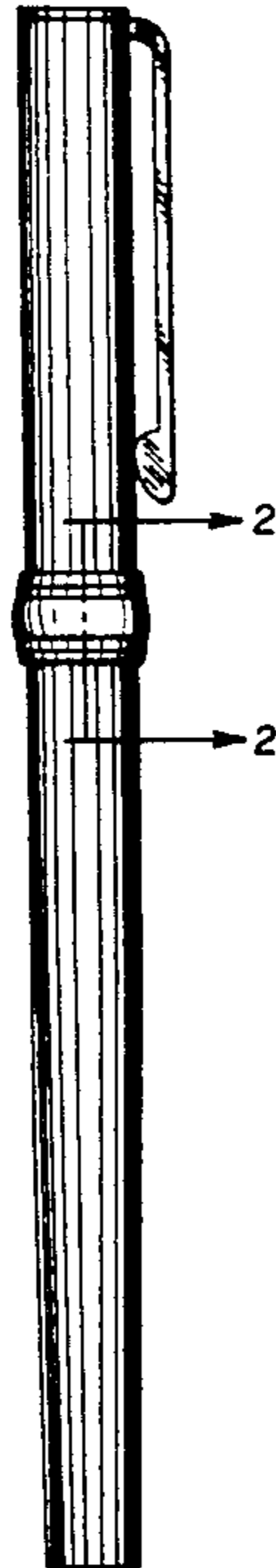
FIG. 1 is a left side elevational view of a casing for a writing instrument showing my new design;

FIG. 2 is an enlarged scale fragmentary cross-sectional view taken along line 2—2 of FIG. 1;

FIG. 3 is a front elevational view of FIG. 1;

FIG. 4 is a bottom plan view thereof; and

FIG. 5 is a top plan view thereof.



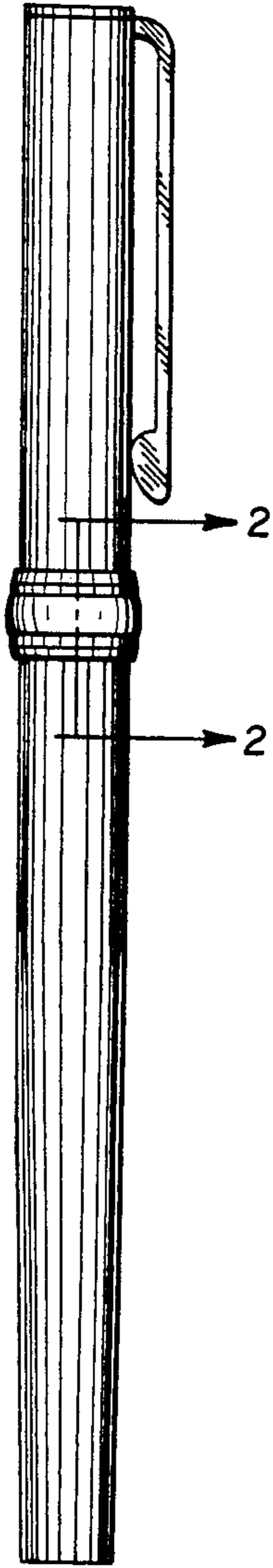


FIG. 1



FIG. 3

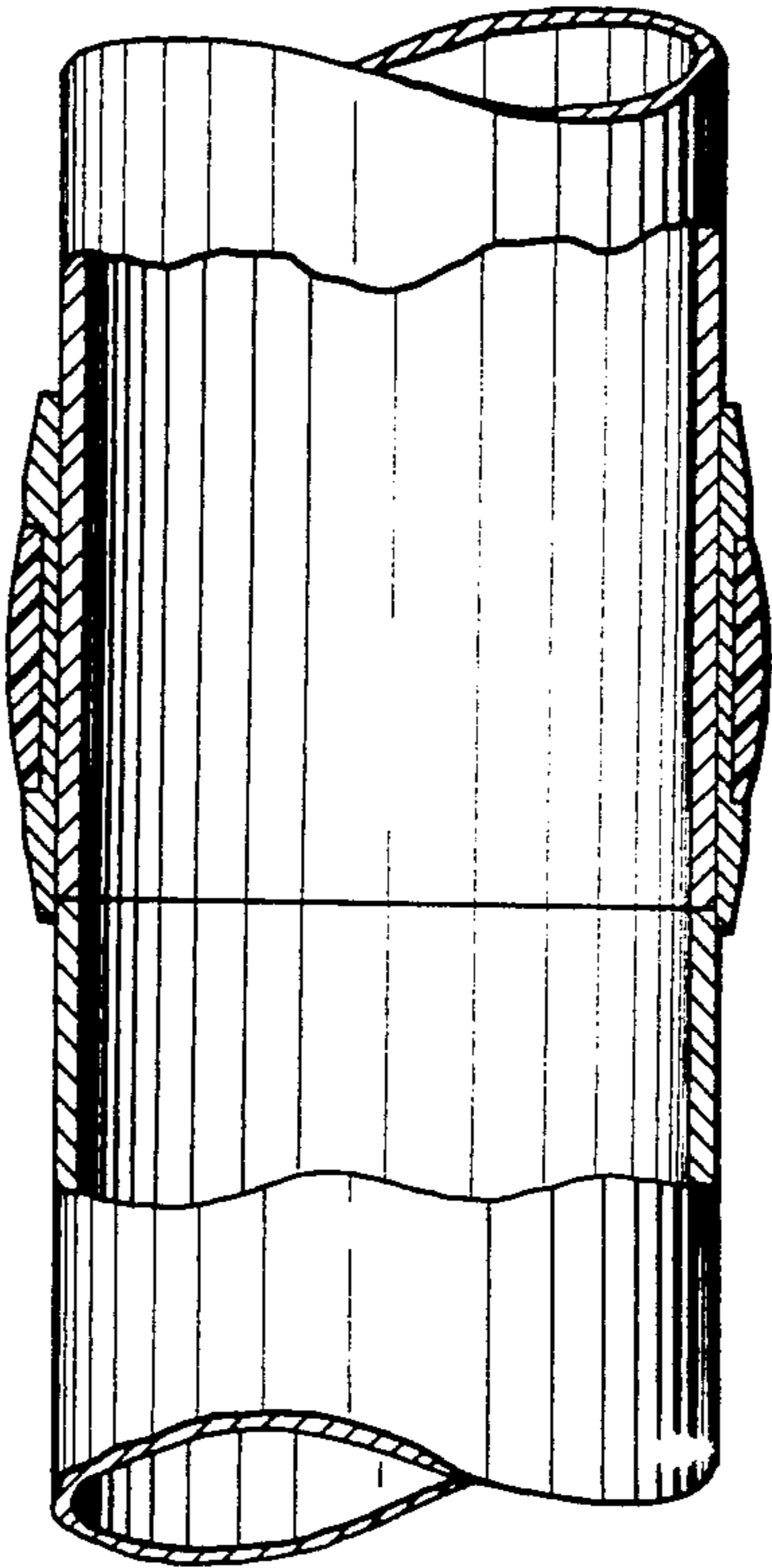


FIG. 2



FIG. 4



FIG. 5