

[54] COMBINED CAMERA AND BINOCULARS

[75] Inventor: Shigeo Nishioka, Tokyo, Japan

[73] Assignee: J. Gerber and Co., (Japan) Ltd., Tokyo, Japan

[**] Term: 14 Years

[21] Appl. No.: 964,107

[22] Filed: Nov. 27, 1978

[30] Foreign Application Priority Data

May 30, 1978 [JP] Japan 53-21951

[51] Int. Cl. D16-01

[52] U.S. Cl. D16/01; D16/02; D16/59

[58] Field of Search D16/1, 2, 59; 354/75, 354/76, 79; 350/36, 19

[56] References Cited

U.S. PATENT DOCUMENTS

2,013,288	9/1935	Porter	354/79 X
2,032,676	3/1936	Warmisham	350/36
2,882,791	4/1959	Moller et al.	354/79 X
3,418,032	12/1968	Kajiro	D16/59 X
4,067,027	1/1978	Yamazaki	354/79

Primary Examiner—Catherine E. Kemper
Attorney, Agent, or Firm—Ladas & Parry

[57] CLAIM

The ornamental design for a combined camera and binoculars, as shown.

DESCRIPTION

FIG. 1 is a front elevational view of a combined camera and binoculars, showing my new design; FIG. 2 is a rear elevational view thereof; FIG. 3 is a top plan view thereof; FIG. 4 is a bottom plan view thereof; FIG. 5 is a left side elevational view thereof; FIG. 6 is a right side elevational view thereof; and FIG. 7 is a perspective view thereof.

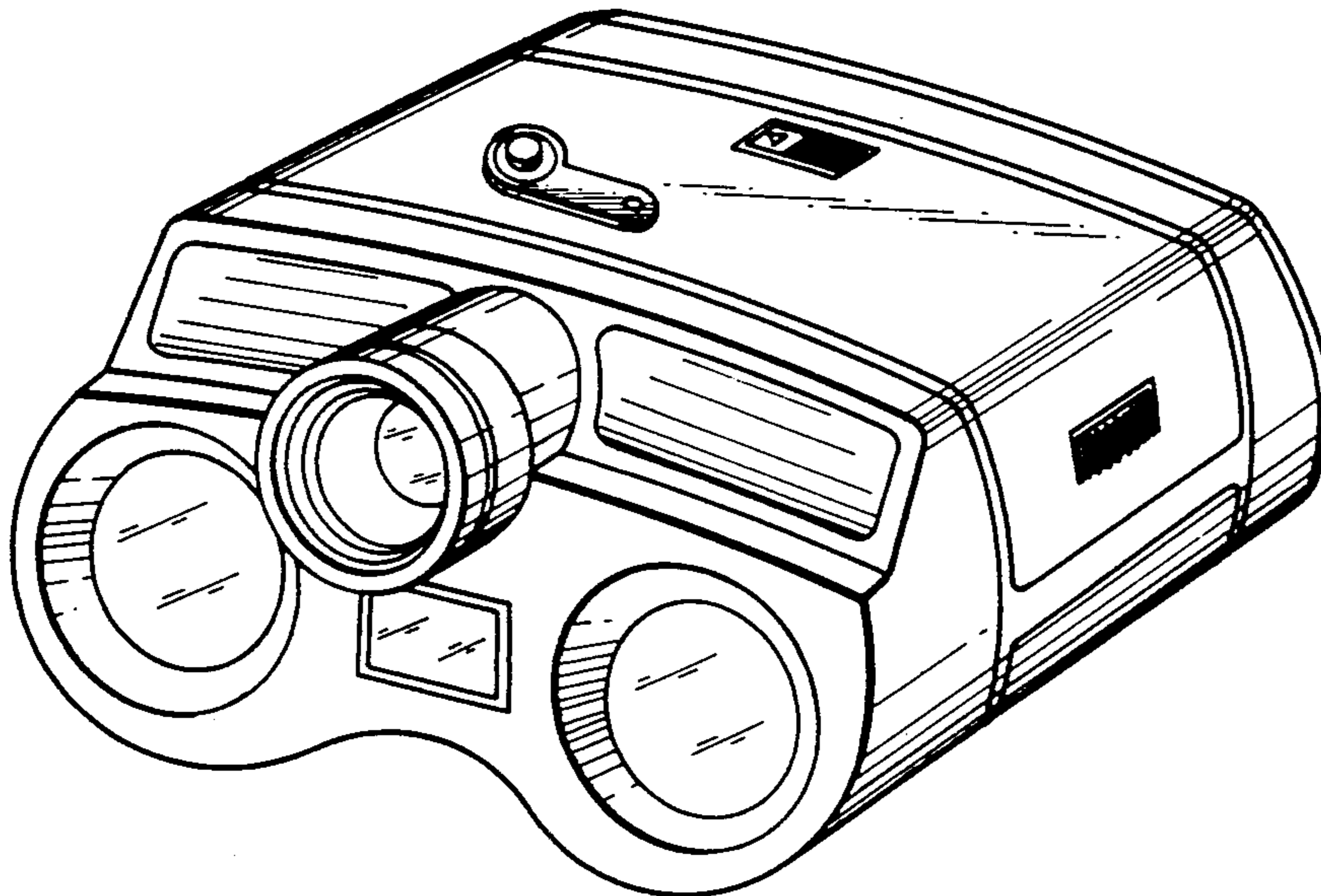


Fig. 1

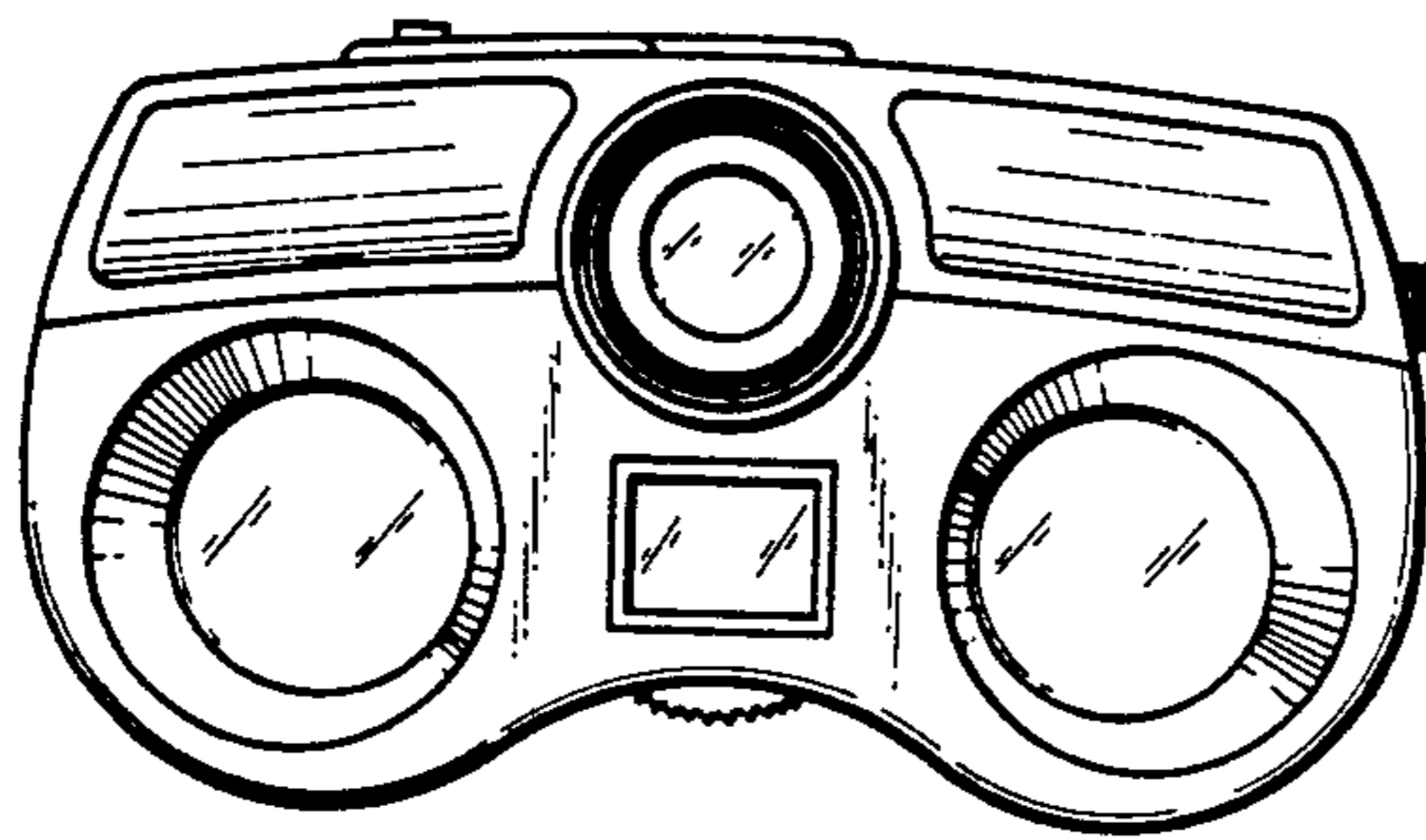


Fig. 2

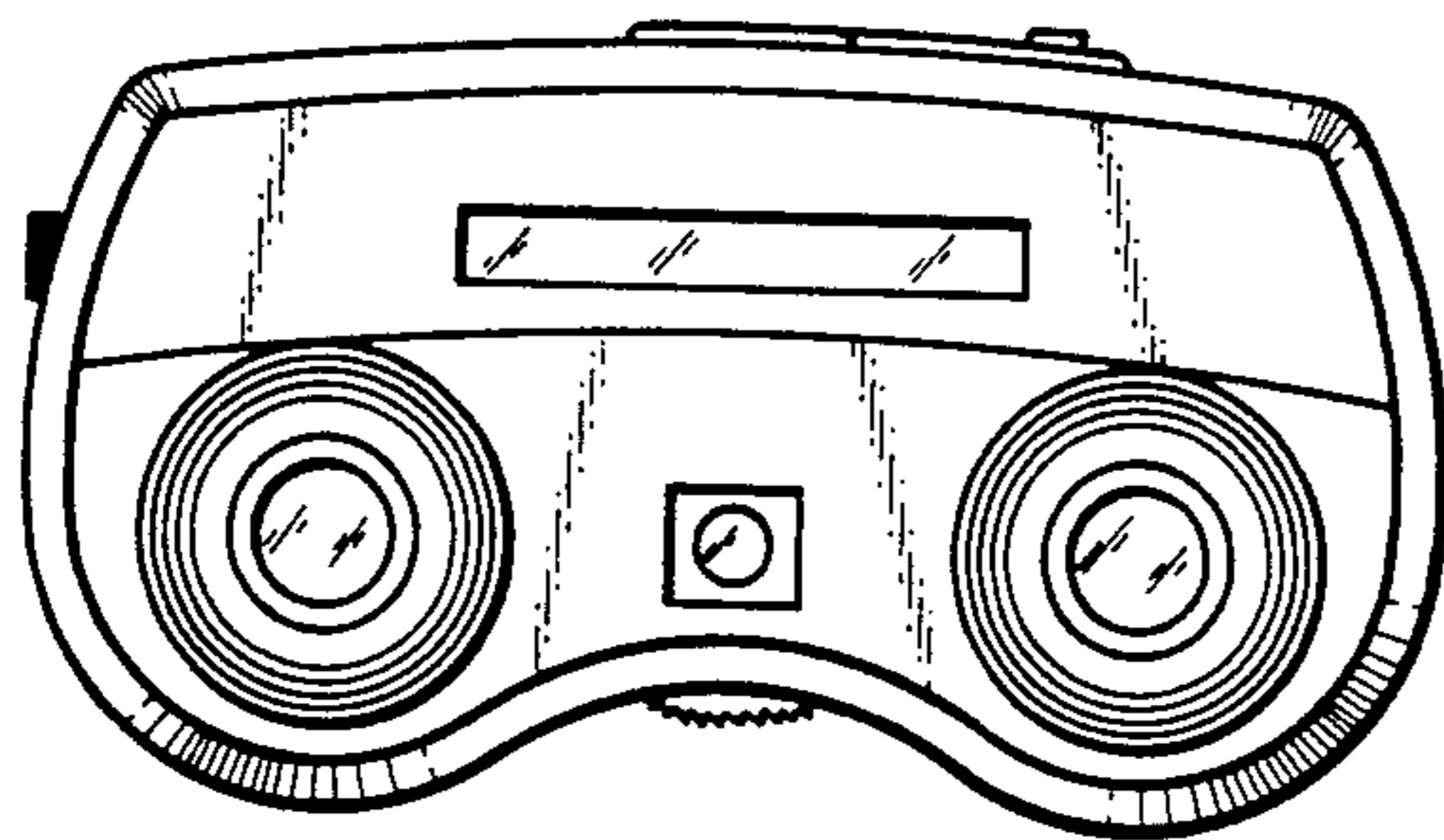


Fig. 3

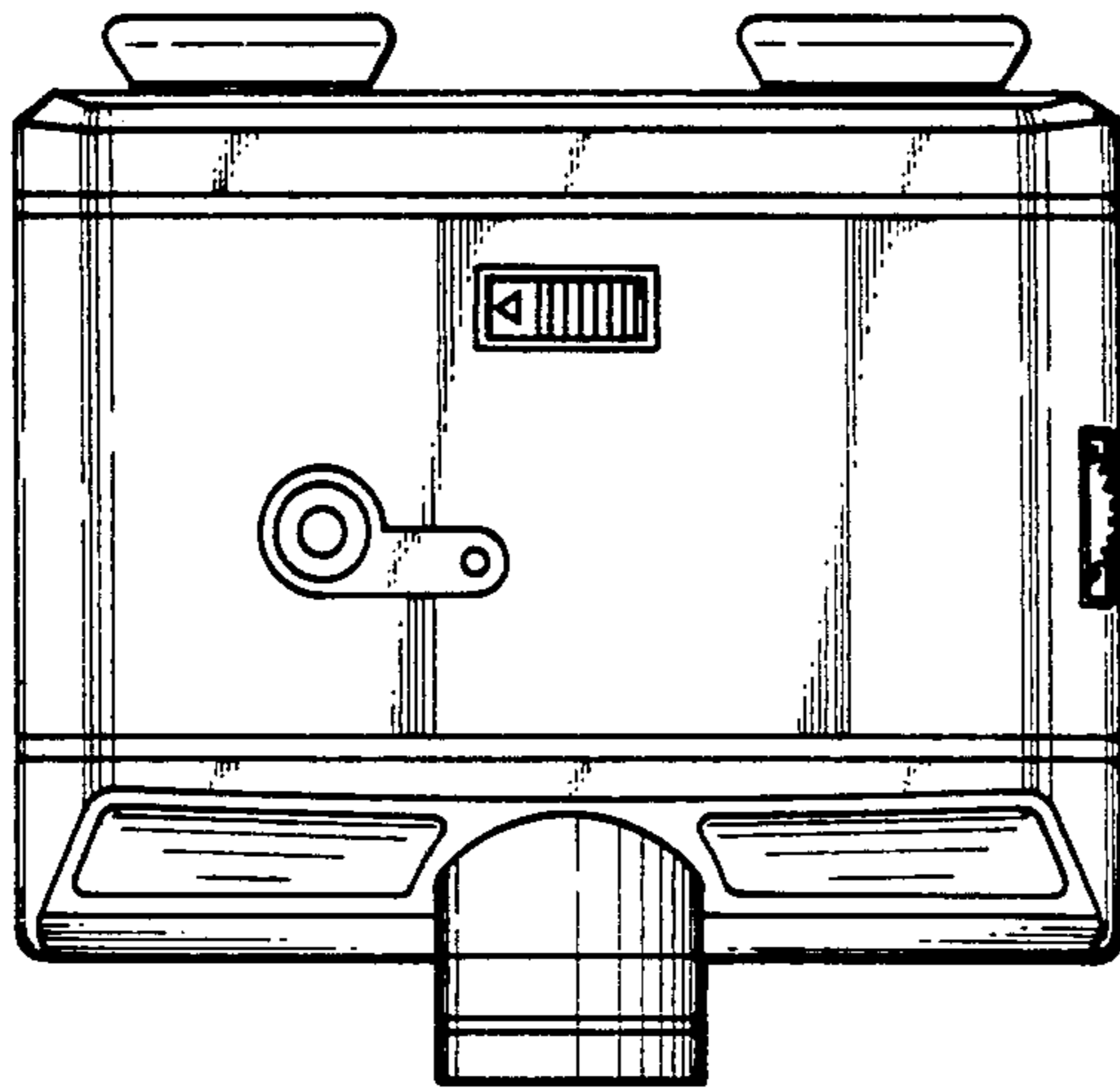


Fig. 4

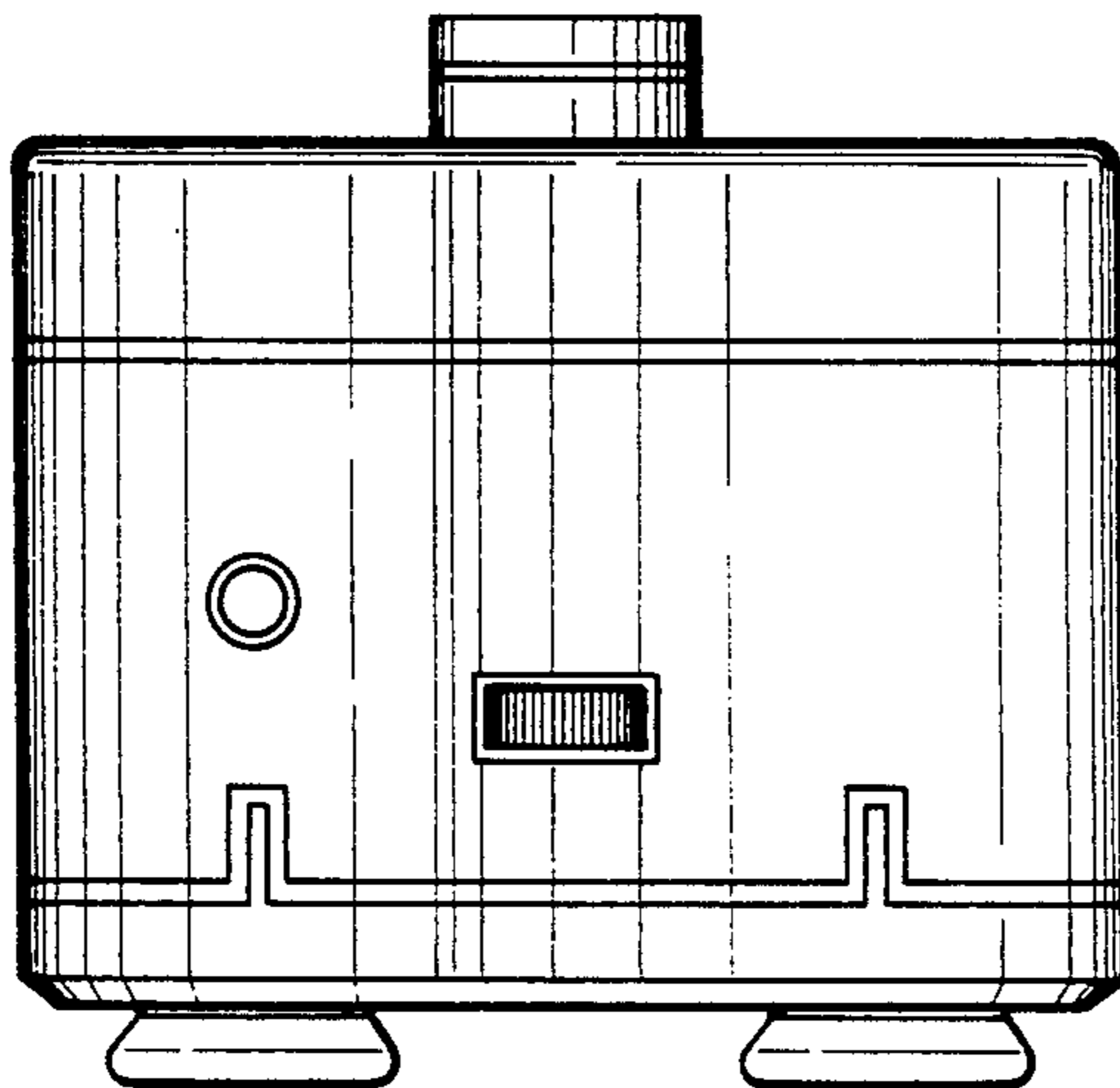


Fig. 5

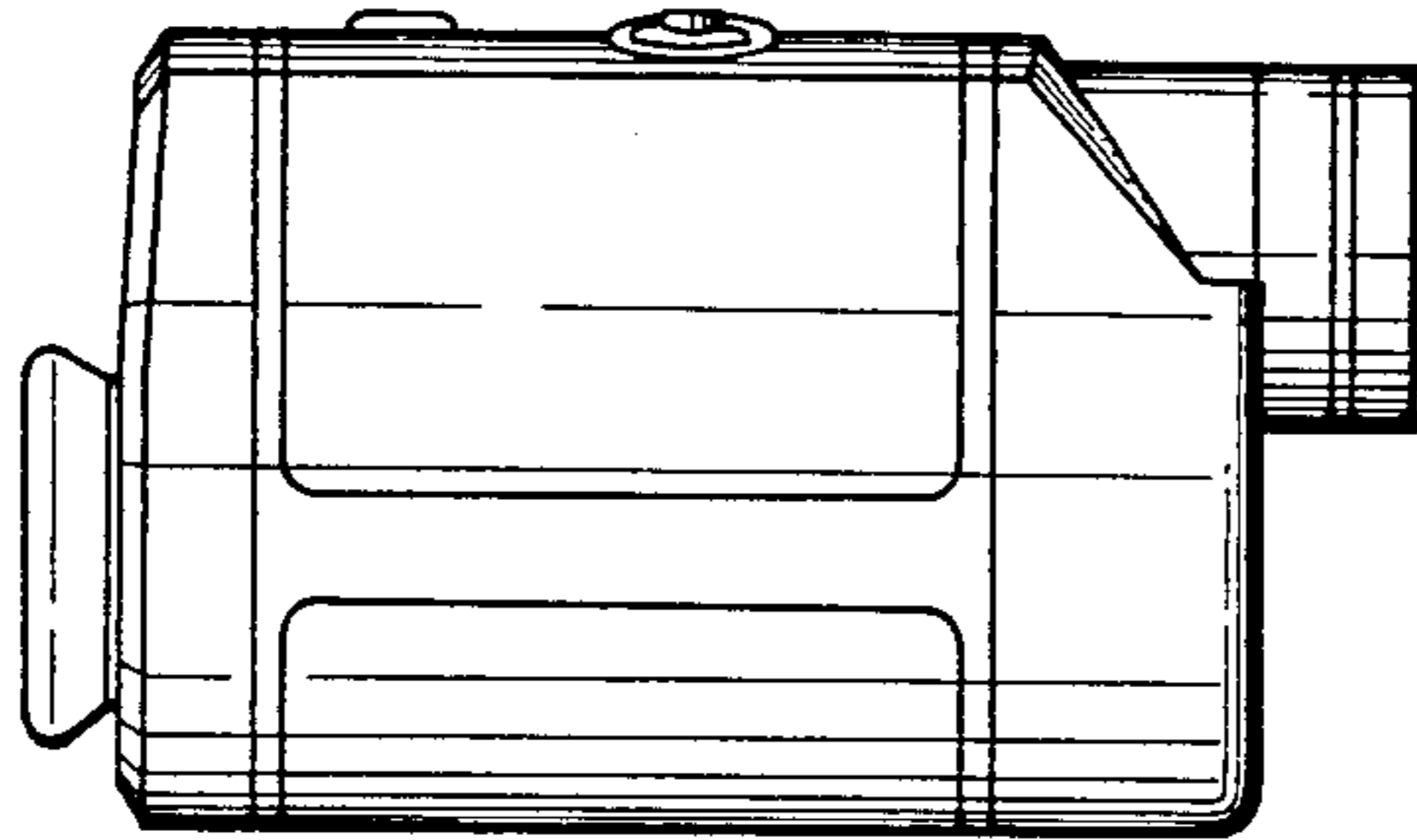


Fig. 6

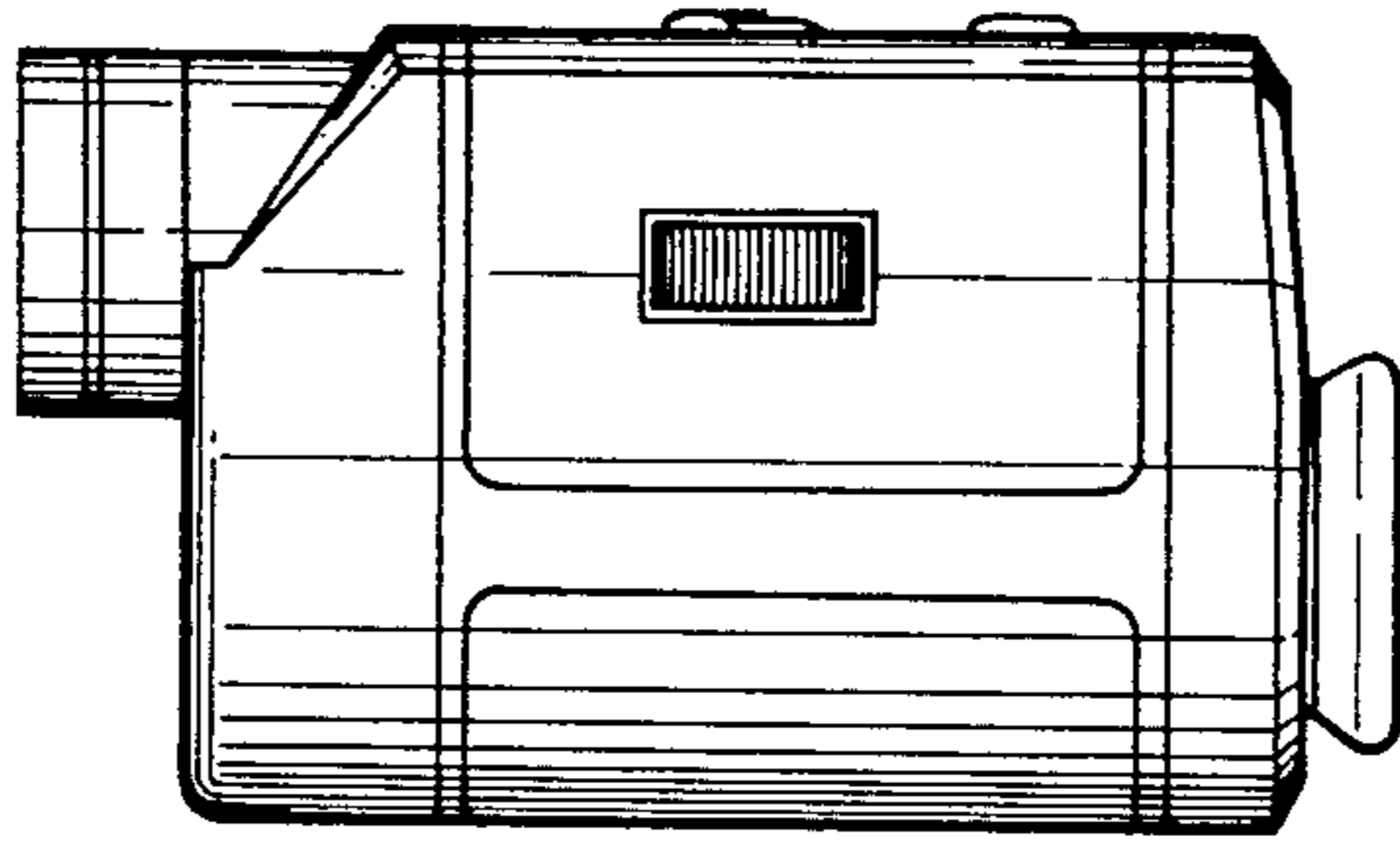


Fig. 7

