

[54] PLUG CLEANER

[75] Inventor: Kendall Swenson, Torrance, Calif.

[73] Assignee: Orion Industries, Inc., Compton, Calif.

[**] Term: 14 Years

[21] Appl. No.: 967,710

[22] Filed: Dec. 8, 1978

[51] Int. Cl. D15-05

[52] U.S. Cl. D15/125

[58] Field of Search D15/34, 124, 125; D7/161; 51/412; 15/104.01 R

[56] References Cited

U.S. PATENT DOCUMENTS

D. 120,930	6/1940	Hoke et al.	D15/34
2,253,225	8/1941	Bowes et al.	51/412
3,868,790	3/1975	Fricke	51/412
3,913,273	10/1975	Romanowicz, Jr.	51/412
4,028,851	6/1977	Fricke	51/412
4,062,155	12/1977	Fricke	51/412

OTHER PUBLICATIONS

J. C. Whitney & Co. Catalog #360B, ©1977, p. 86, Spark Plug Gauge #88-7608y.

Primary Examiner—Catherine E. Kemper
Attorney, Agent, or Firm—Fulwider, Patton, Rieber, Lee & Utecht

[57] CLAIM

The ornamental design for a plug cleaner, substantially as shown and described.

DESCRIPTION

FIG. 1 is a perspective view of a plug cleaner showing my new design;

FIG. 2 is a top plan view thereof;

FIG. 3 is a bottom plan view thereof;

FIG. 4 is an elevational view of the gapping tool portion of the plug cleaner;

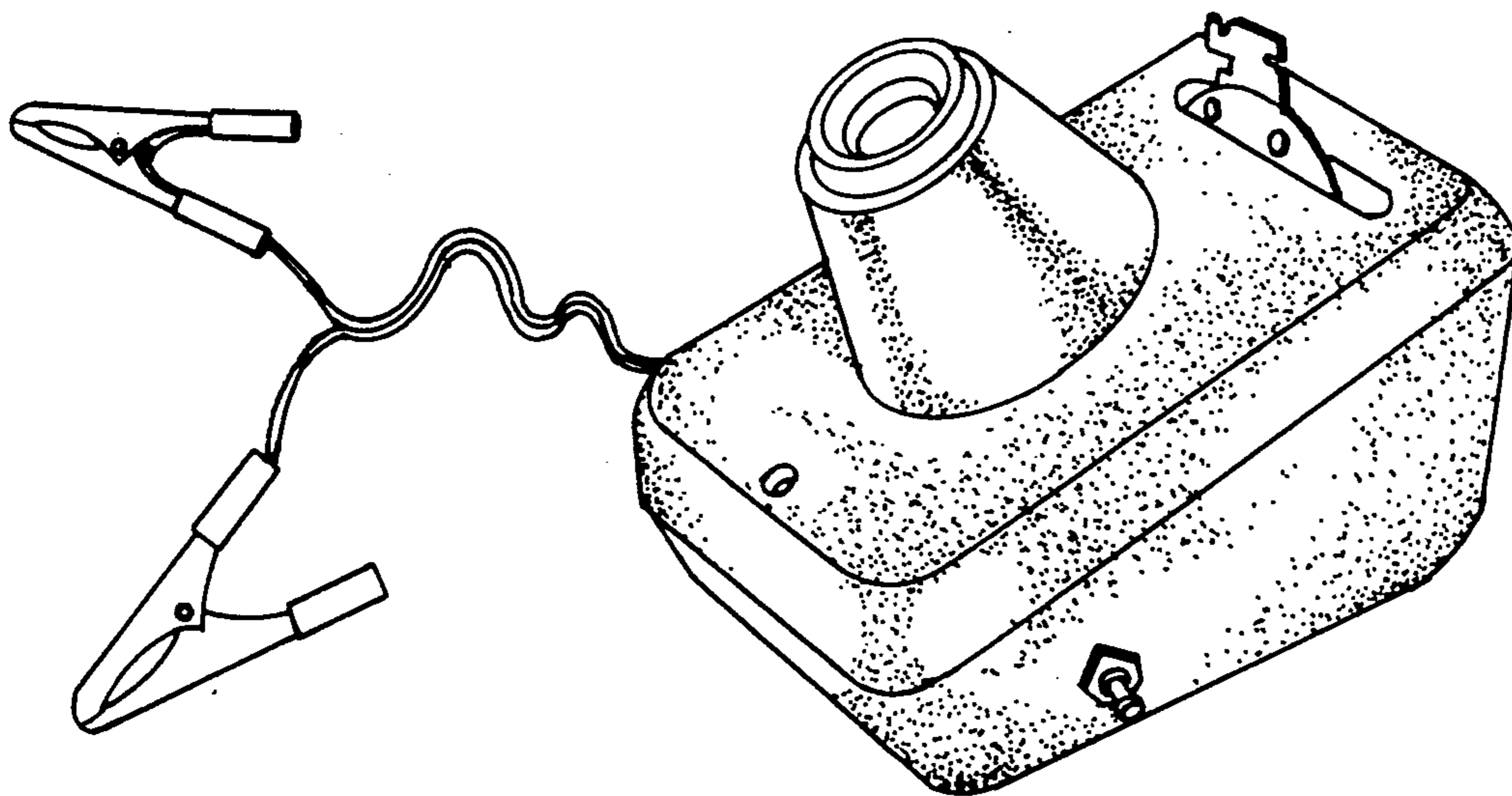
FIG. 5 is a left side elevational view of the plug cleaner as shown in FIG. 1;

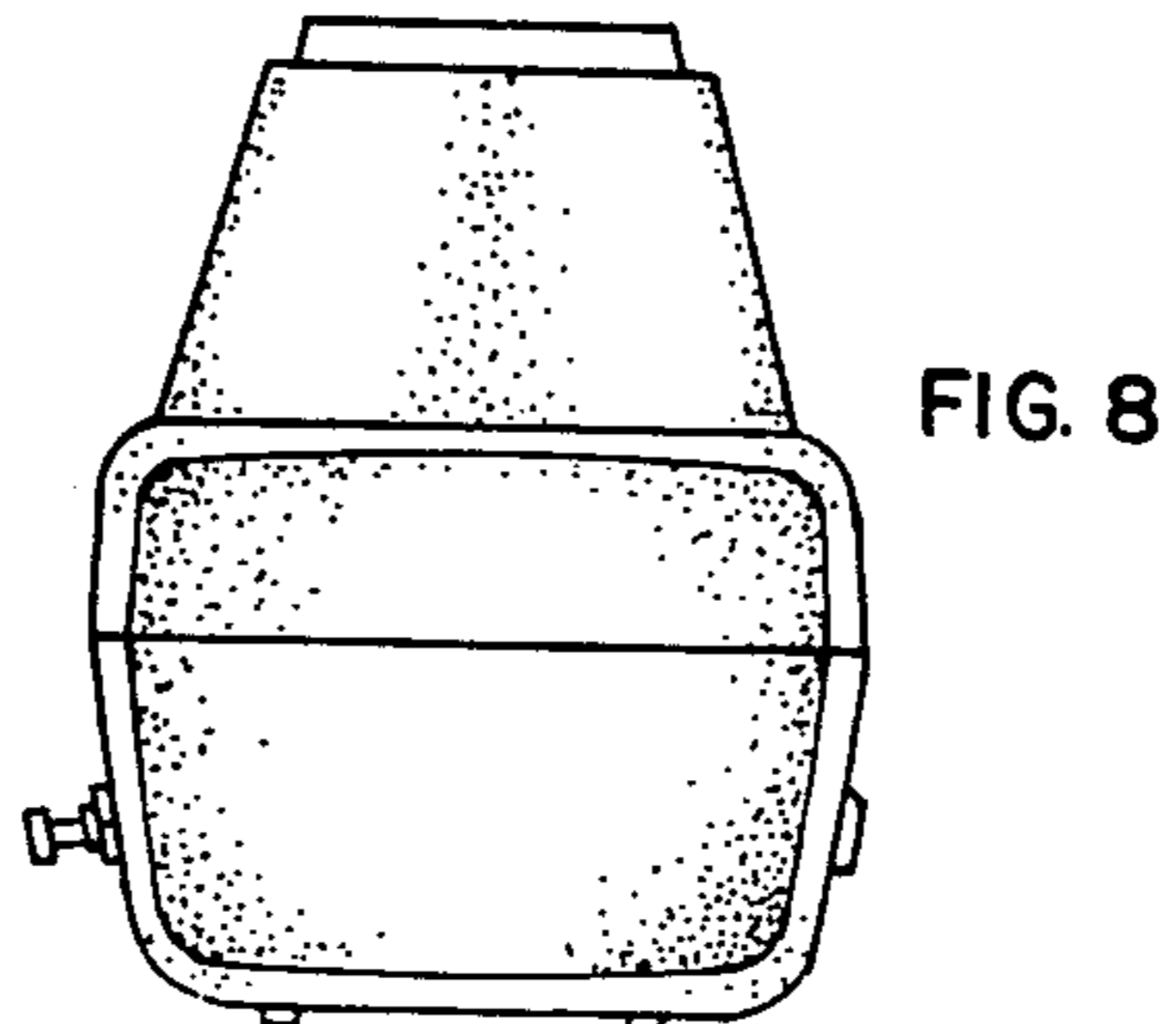
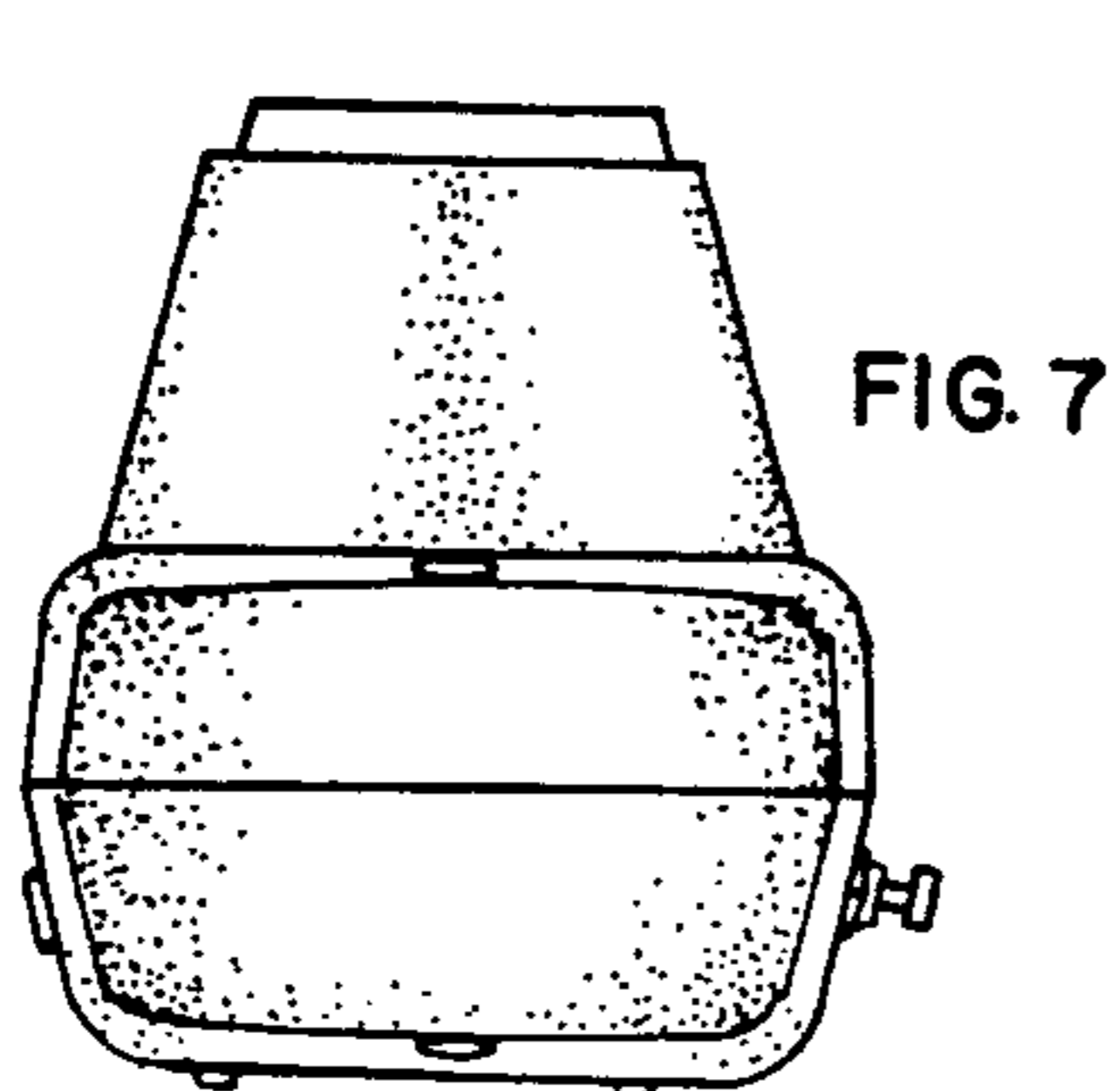
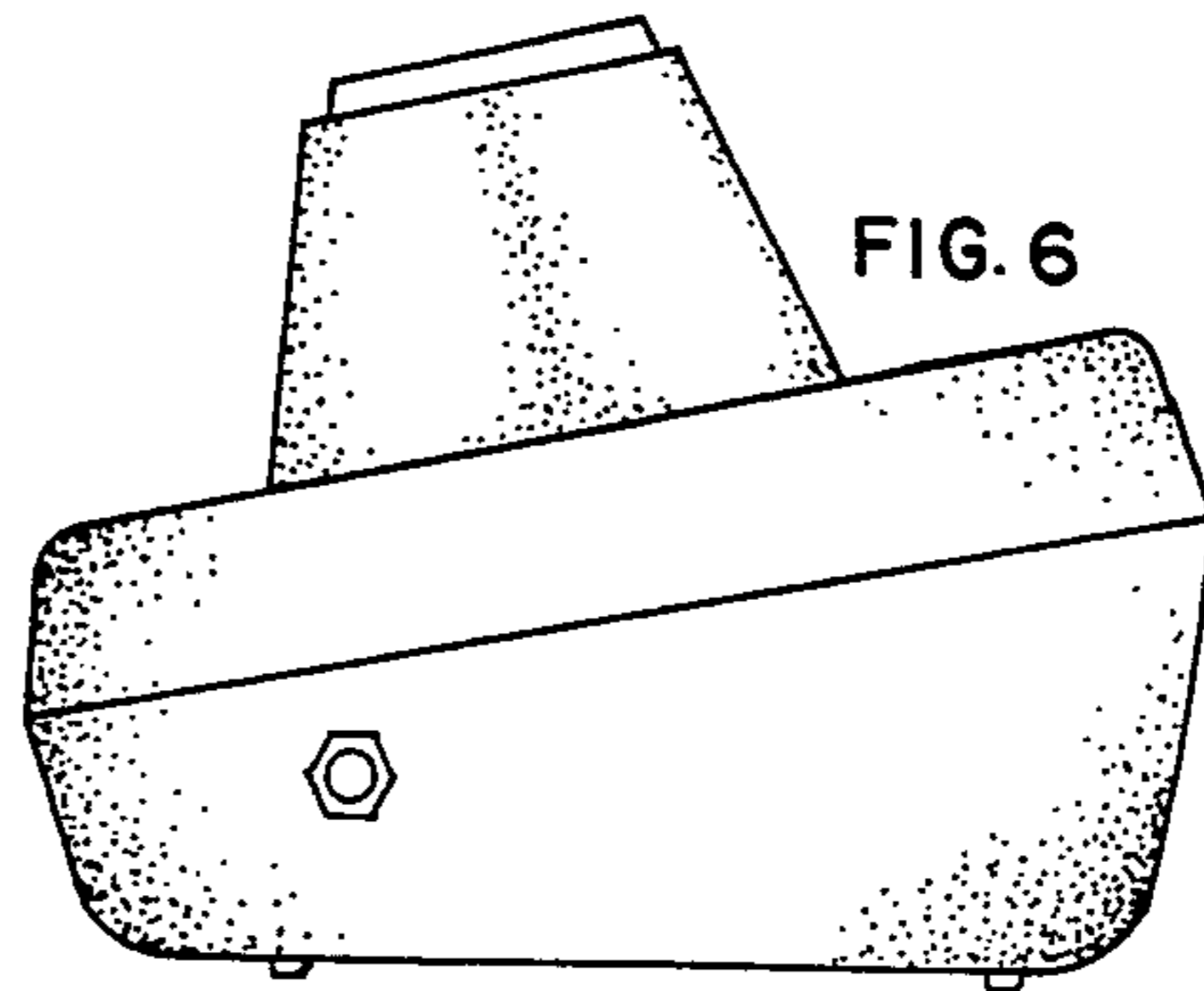
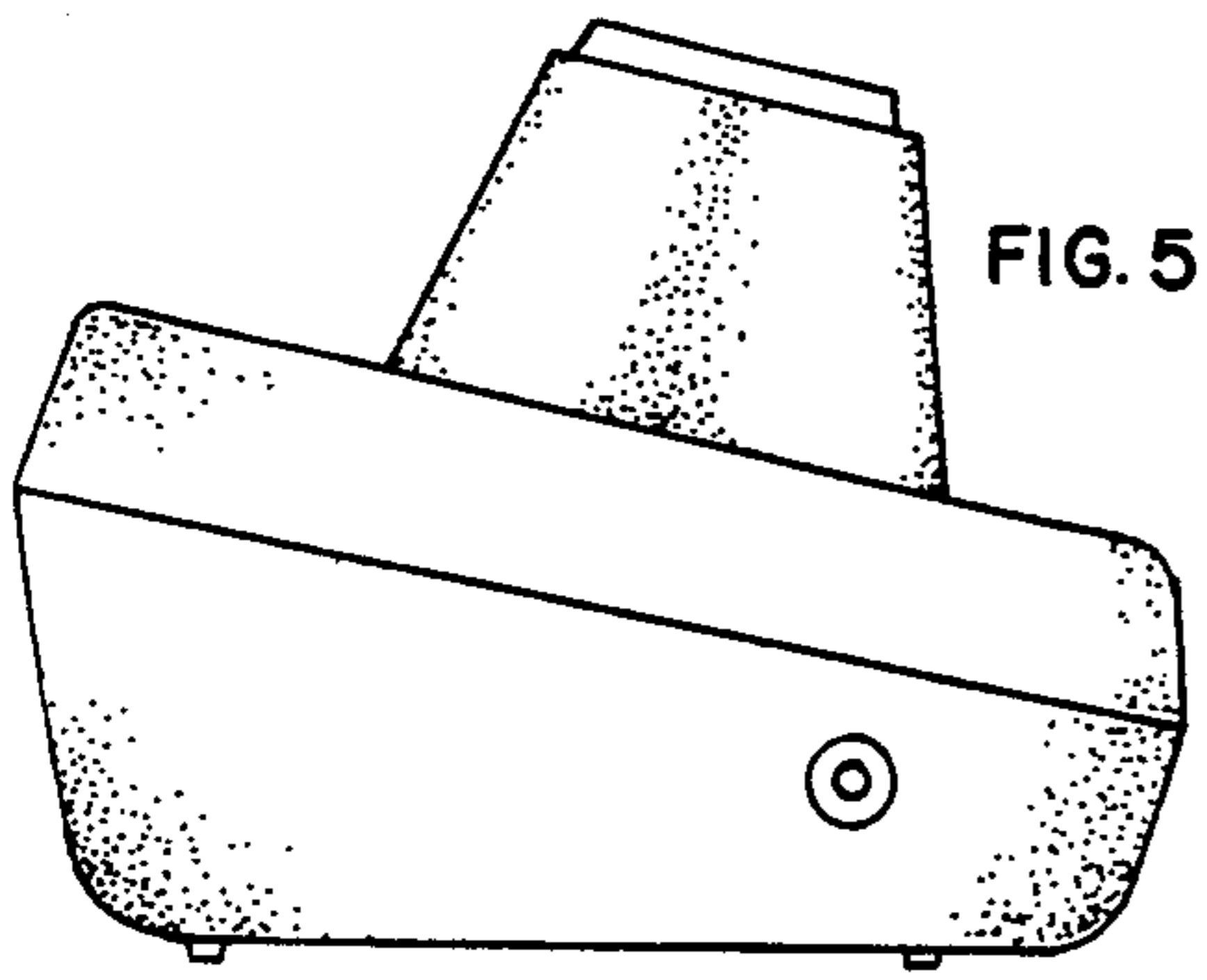
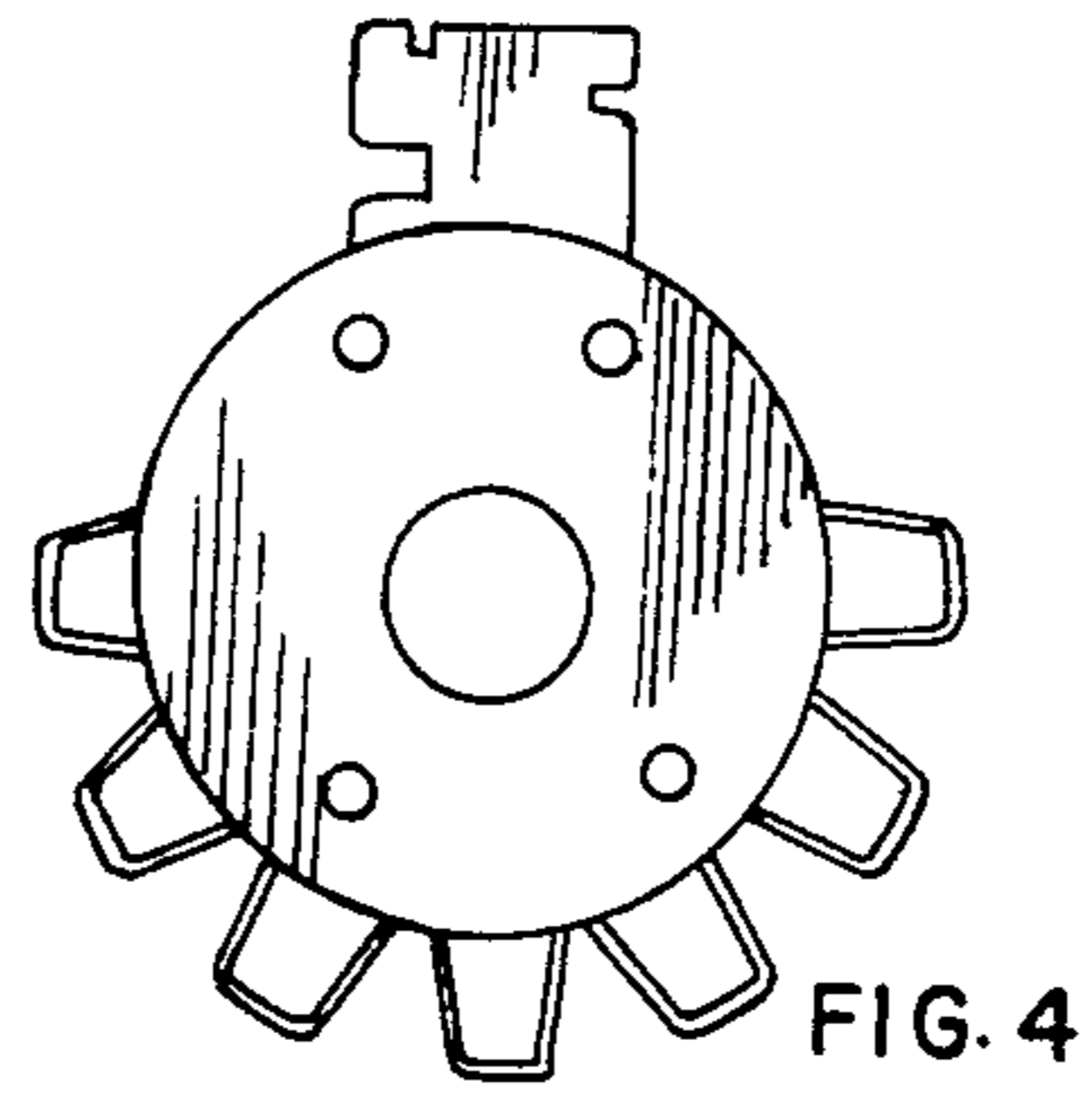
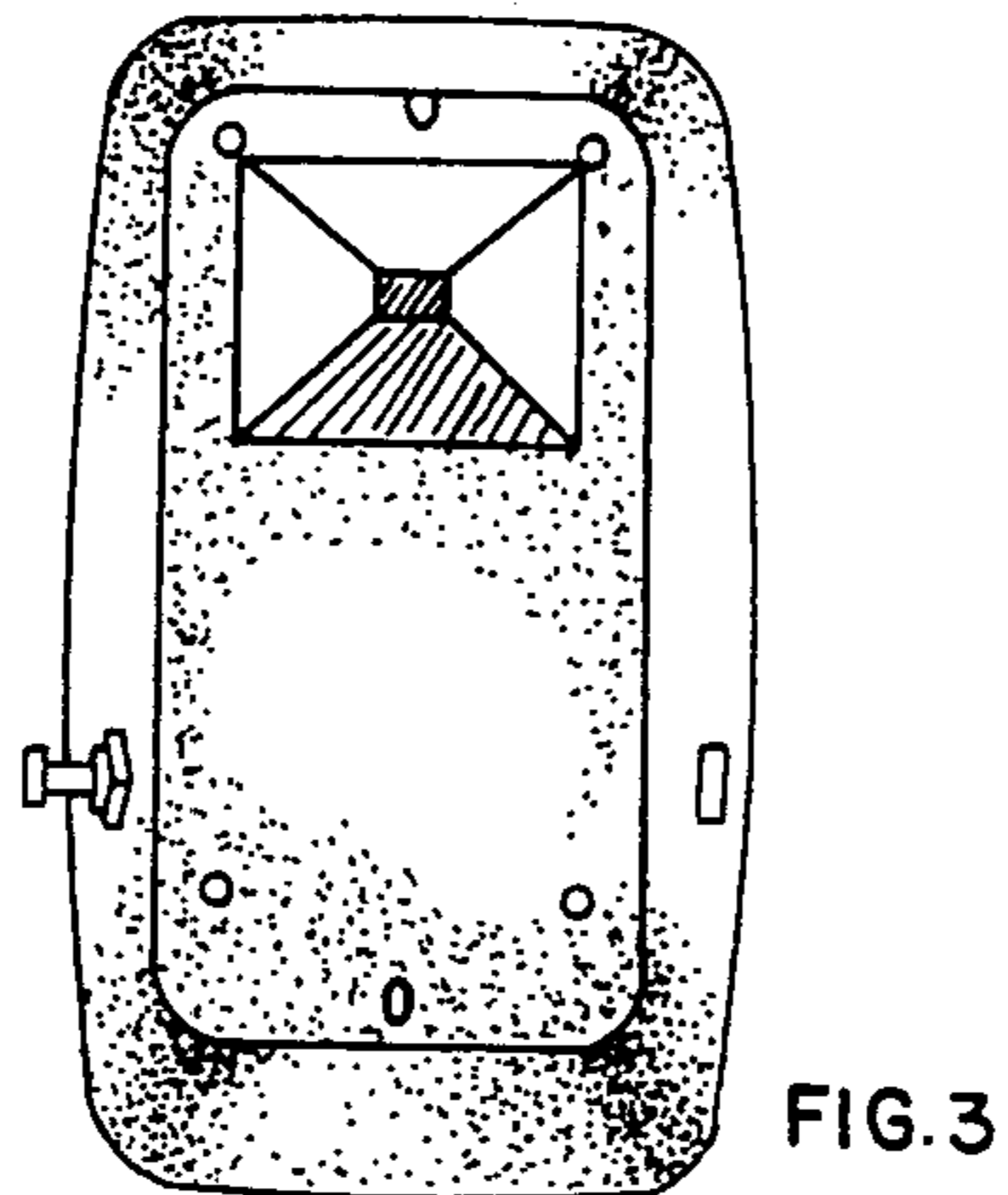
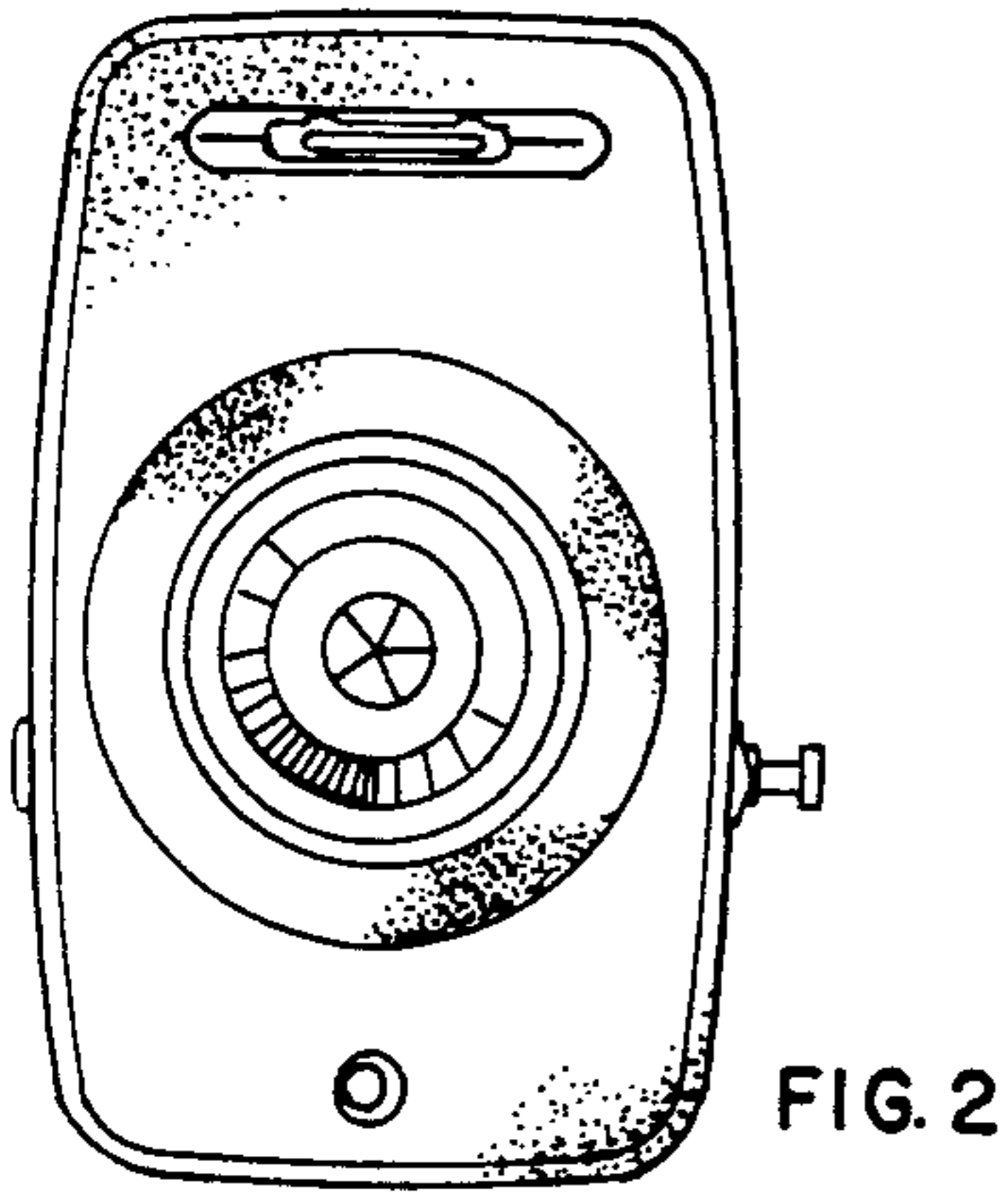
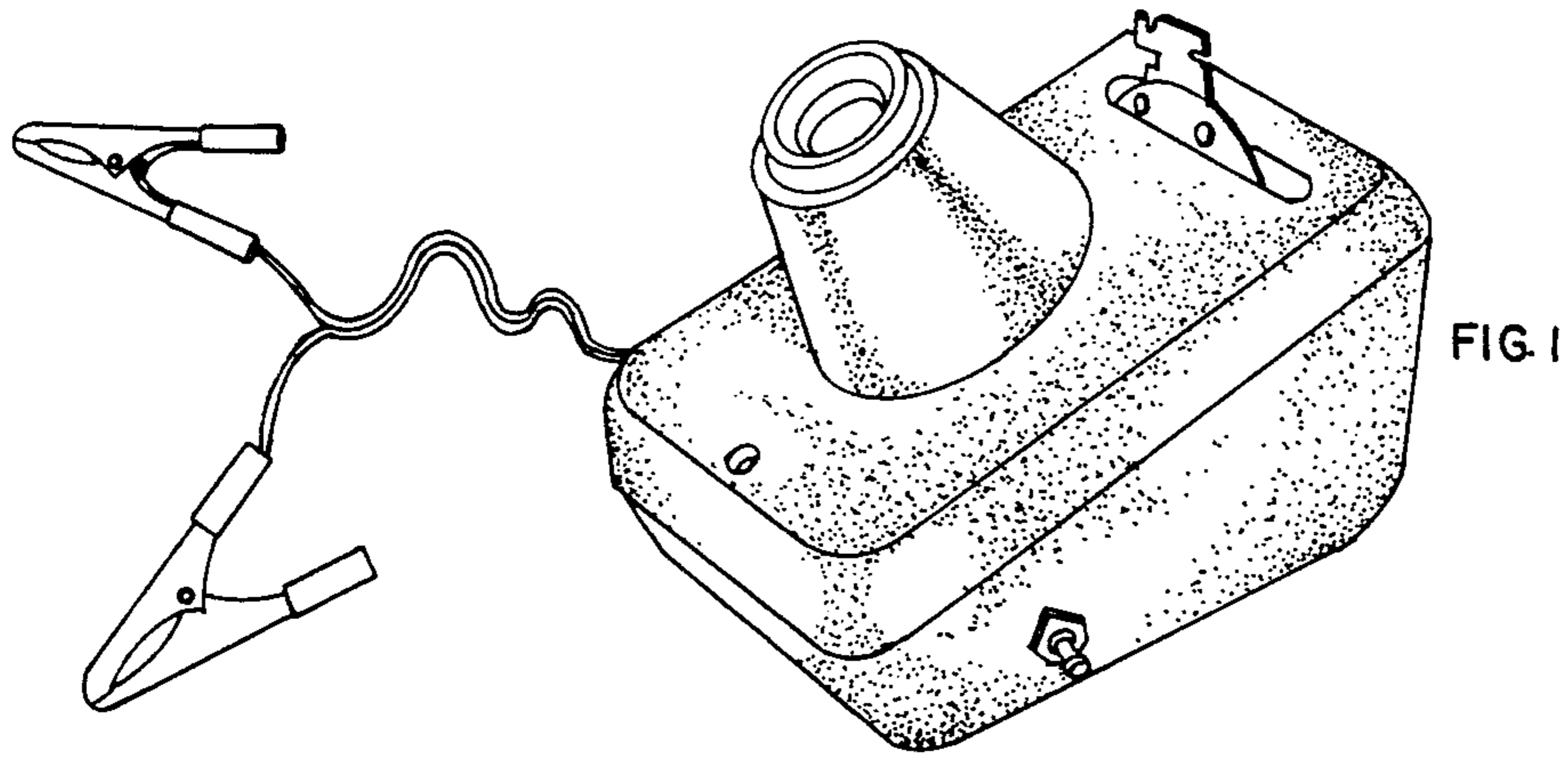
FIG. 6 is a right side elevational view thereof;

FIG. 7 is a front elevational view thereof;

FIG. 8 is a rear elevational view thereof.

The electrical leads have been omitted from all views except FIG. 1 and the gapping tool has been omitted from FIGS. 5-8 for convenience of illustration.





Disclaimer

Des. 259,568.—*Kendall Swenson*, Torrance, Calif. PLUG CLEANER. Patent dated June 16, 1981.
Disclaimer filed Mar. 29, 1989, by the assignee, Mr. Gasket Co.

Hereby enters this disclaimer to the entire term of said patent.
[*Official Gazette May 23, 1989*]