

[54] AIRCRAFT

[76] Inventors: Carl Parise, 1990 Pheasant La., Reno, Nev. 89509; Lawrence K. Heuberger, 10605 Whitehawk La., Reno, Nev. 89506

[\*\*] Term: 14 Years

[21] Appl. No.: 922,143

[22] Filed: Jul. 5, 1978

[51] Int. Cl. .... D12-07

[52] U.S. Cl. .... D12/332; D12/338; D12/339

[58] Field of Search ..... D12/78; 244/45 R, 13, 244/91

[56]

References Cited

U.S. PATENT DOCUMENTS

D. 189,325 11/1960 Thieblot ..... D12/78  
D. 193,255 7/1962 Gilmore et al. .... D12/71

Primary Examiner—Sam Rosen  
Attorney, Agent, or Firm—Sughrue, Rothwell, Mion, Zinn and Macpeak

[57]

CLAIM

The ornamental design for an aircraft, as shown.

DESCRIPTION

FIG. 1 is a top plan view of an aircraft showing my new design;  
FIG. 2 is a right side elevational view thereof, the left side being a near mirror image thereof;  
FIG. 3 is a front elevational view thereof;  
FIG. 4 is a rear elevational view thereof; and  
FIG. 5 is a bottom plan view thereof.

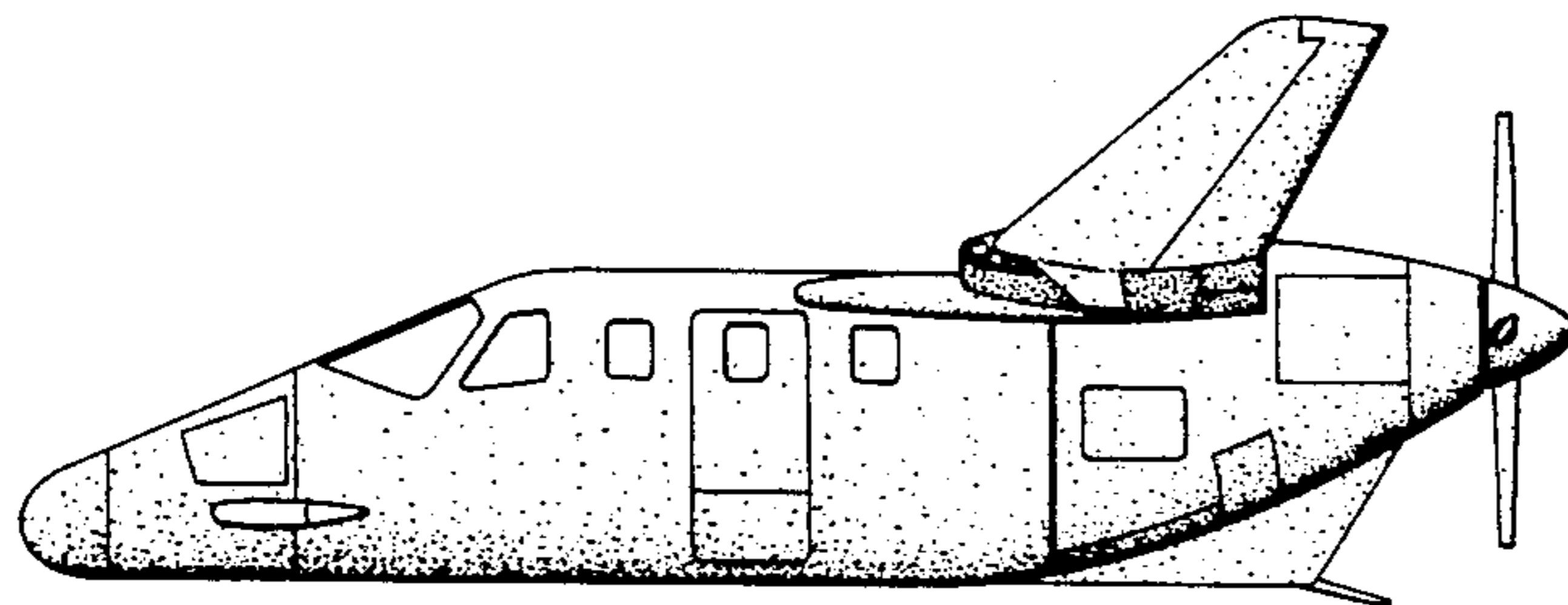
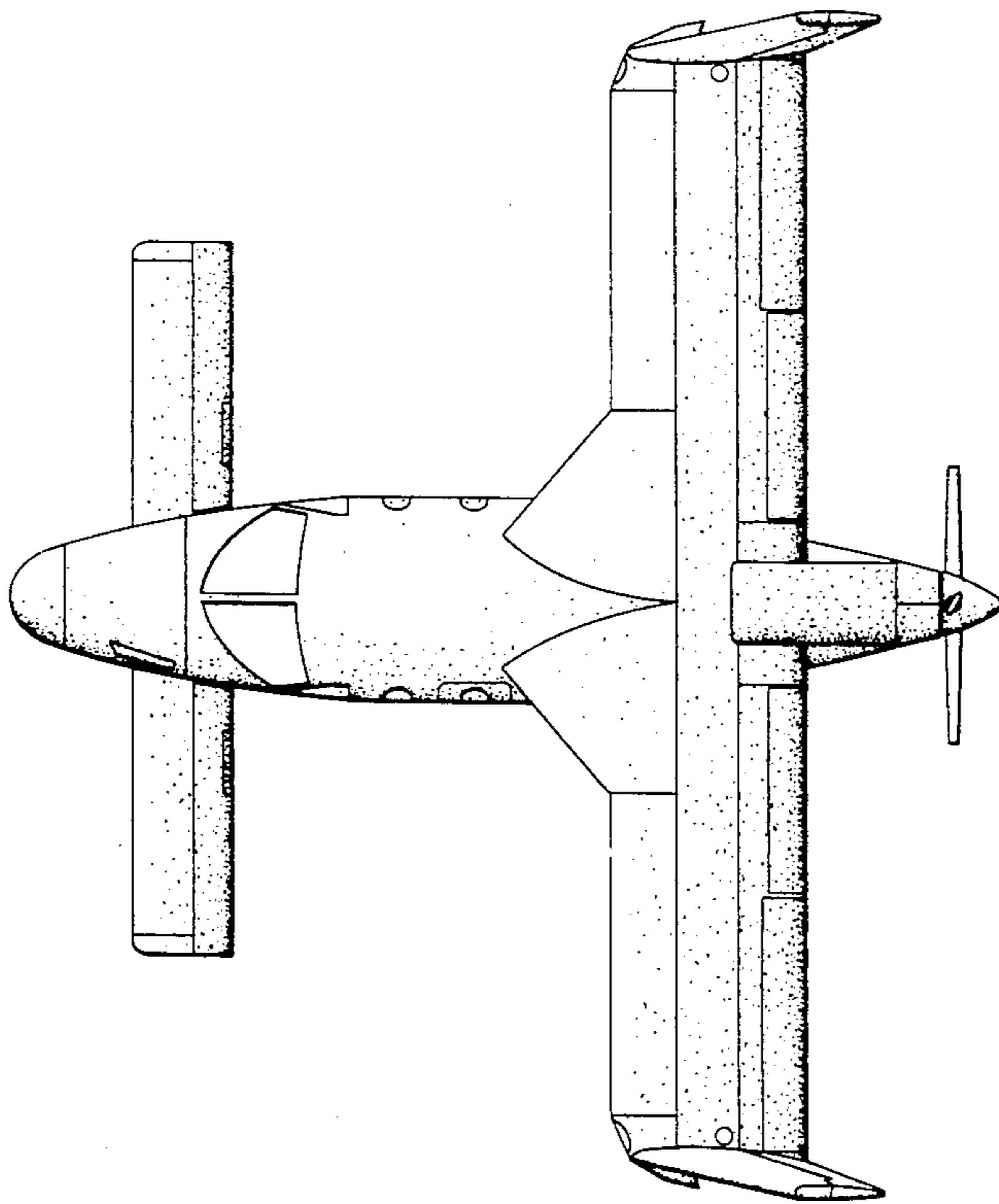


FIG 1

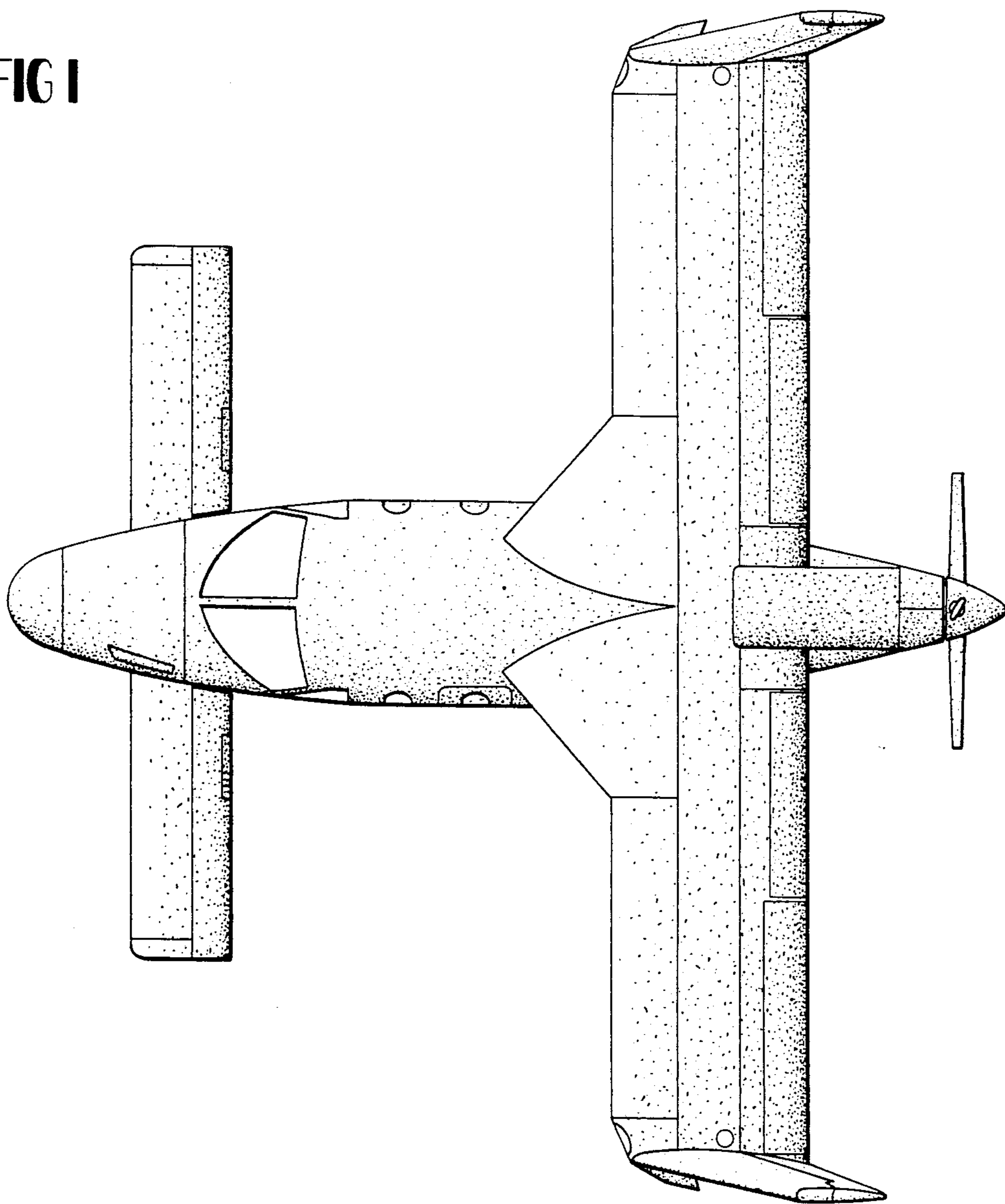
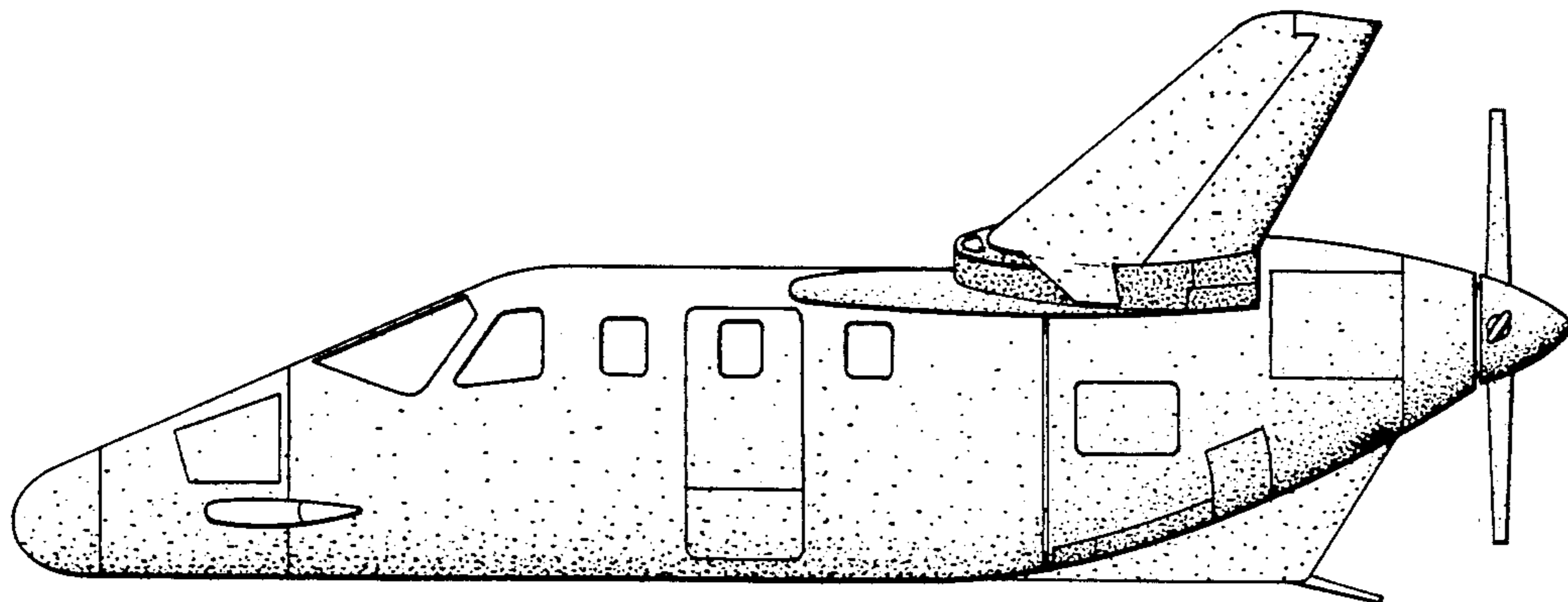


FIG 2



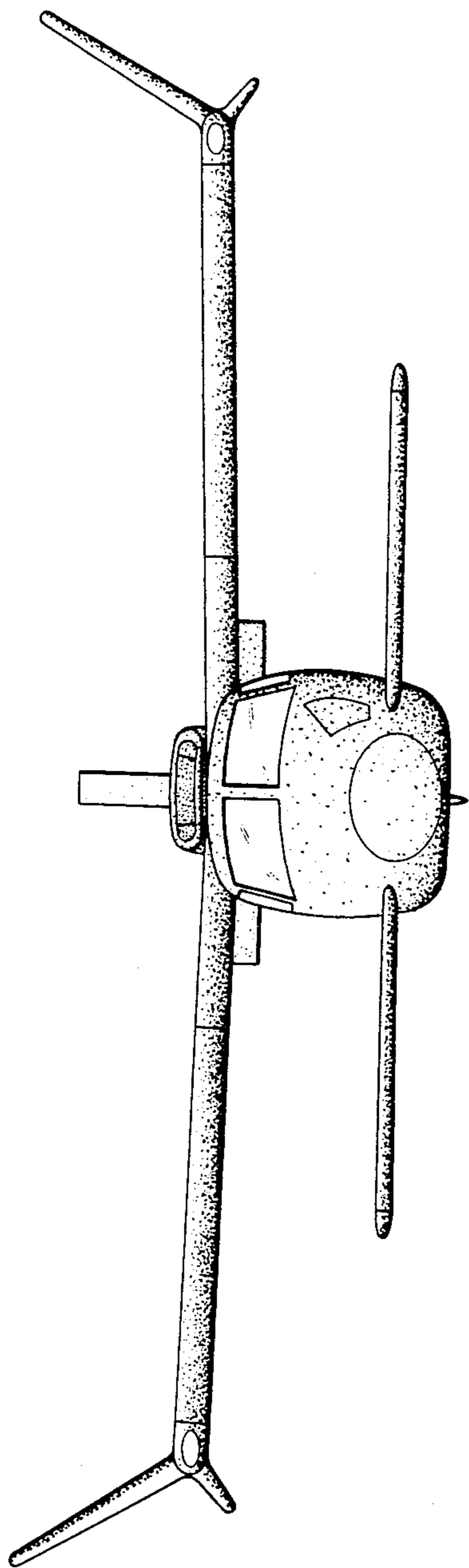


FIG 3

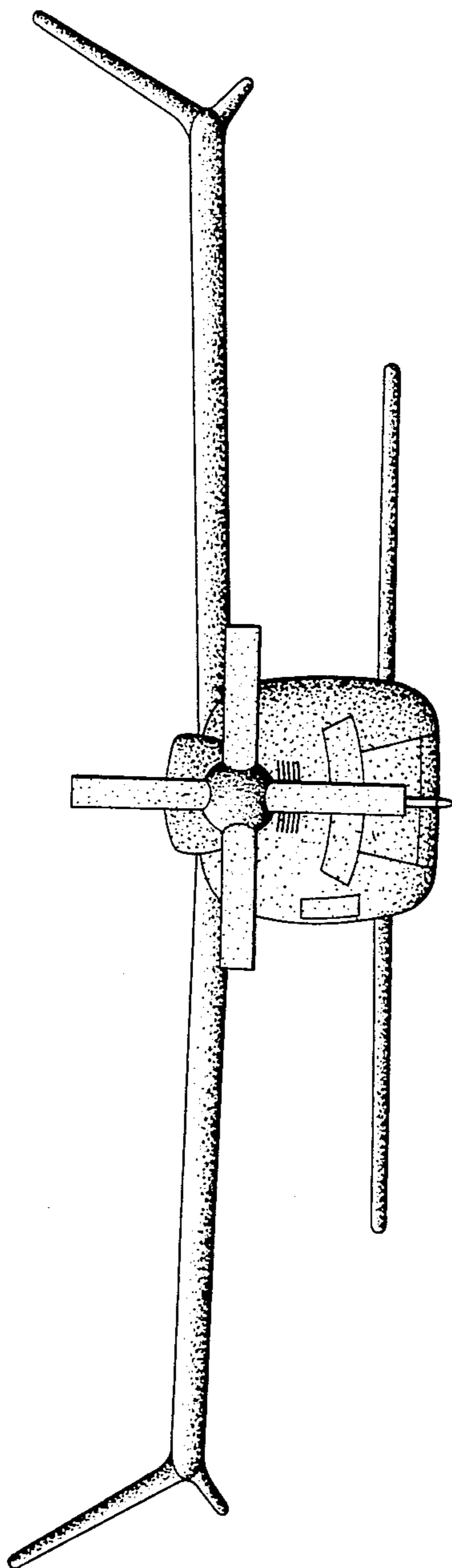


FIG 4

**FIG 5**

