

[54] REMOTE CONTROLLED FORK TRUCK

[75] Inventor: Olof H. Lindfors, Goteborg, Sweden

[73] Assignee: Aktiebolaget Volvo, Goteborg, Sweden

[**] Term: 14 Years

[21] Appl. No.: 963,569

[22] Filed: Nov. 24, 1978

[30] Foreign Application Priority Data

May 25, 1978 [SE] Sweden 781359

[51] Int. Cl. D12-05

[52] U.S. Cl. D12/57

[58] Field of Search D12/57, 56; 280/43.12; 254/2 R, 2 B, 2 C; 187/9 R

[56] References Cited

PUBLICATIONS

Automatic Dispatching Towveyors & Overhead Tow Conveyors Catalog, p. 19, Remote Controlled Trucks, lower right side of page.

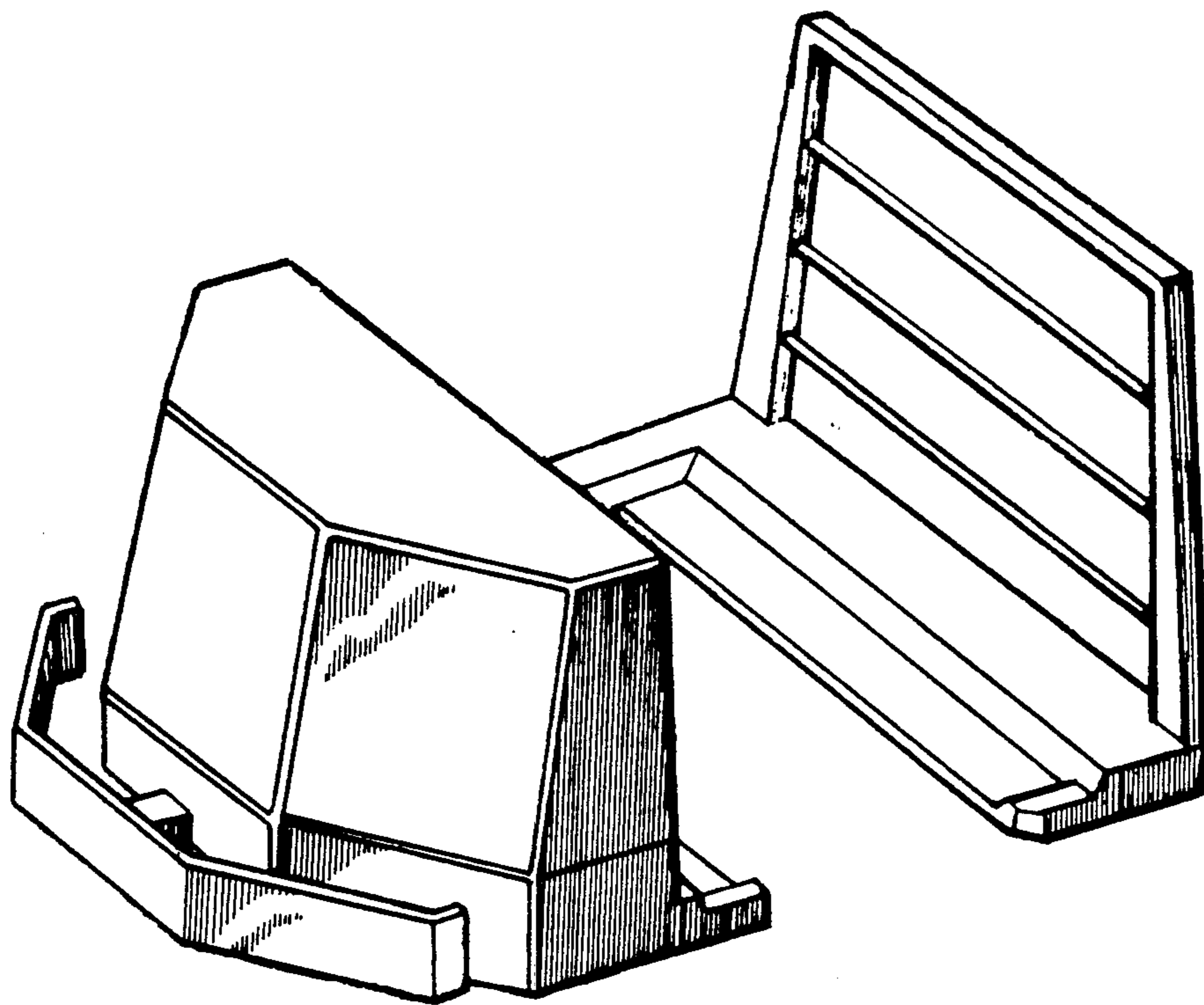
Primary Examiner—James M. Gandy
Attorney, Agent, or Firm—Young & Thompson

[57] CLAIM

The ornamental design for a remote controlled fork truck, as shown.

DESCRIPTION

FIG. 1 is a top front perspective view of a remote controlled fork truck showing my new design; and FIG. 2 is a top rear perspective view thereof.



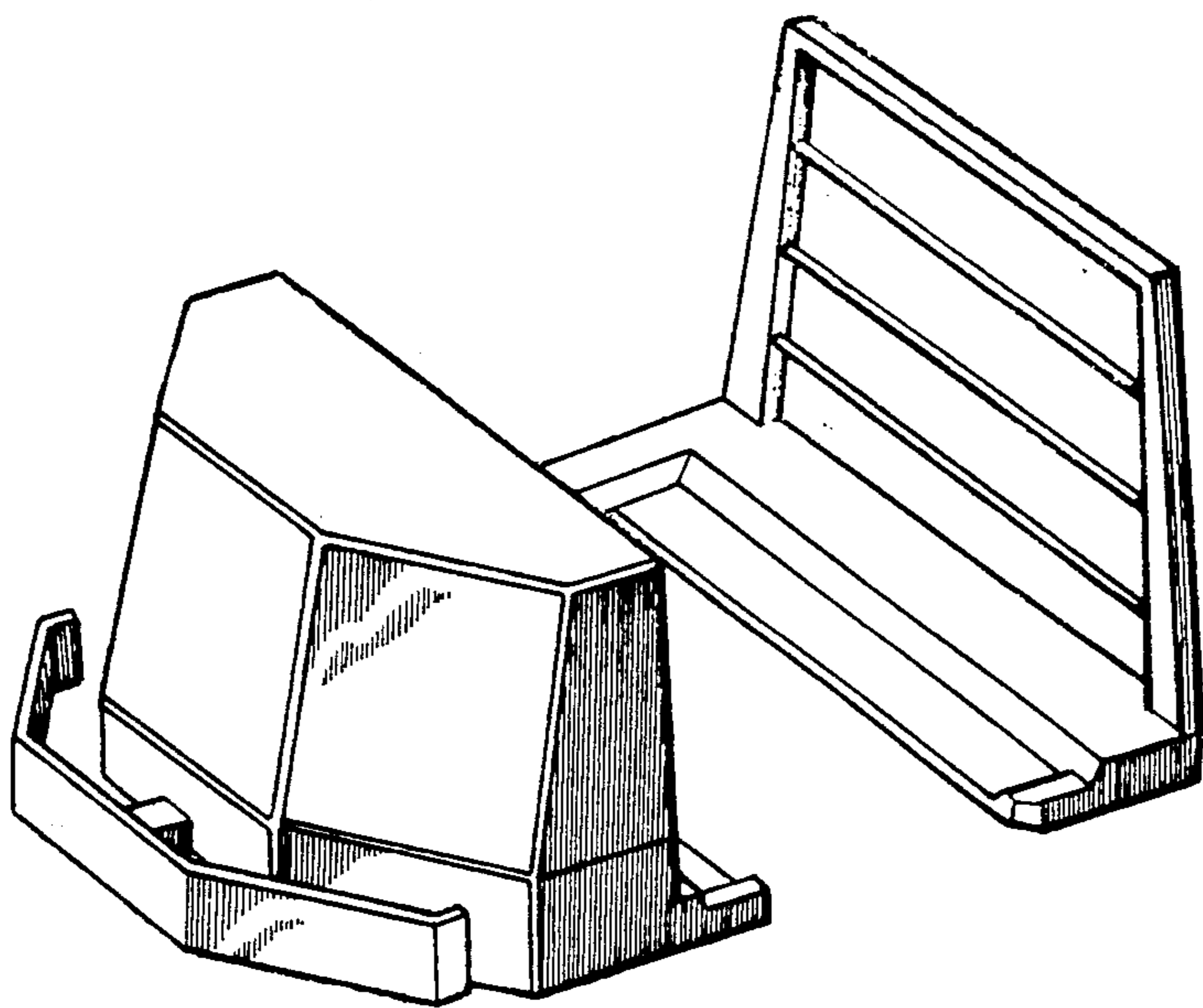


FIG. 1

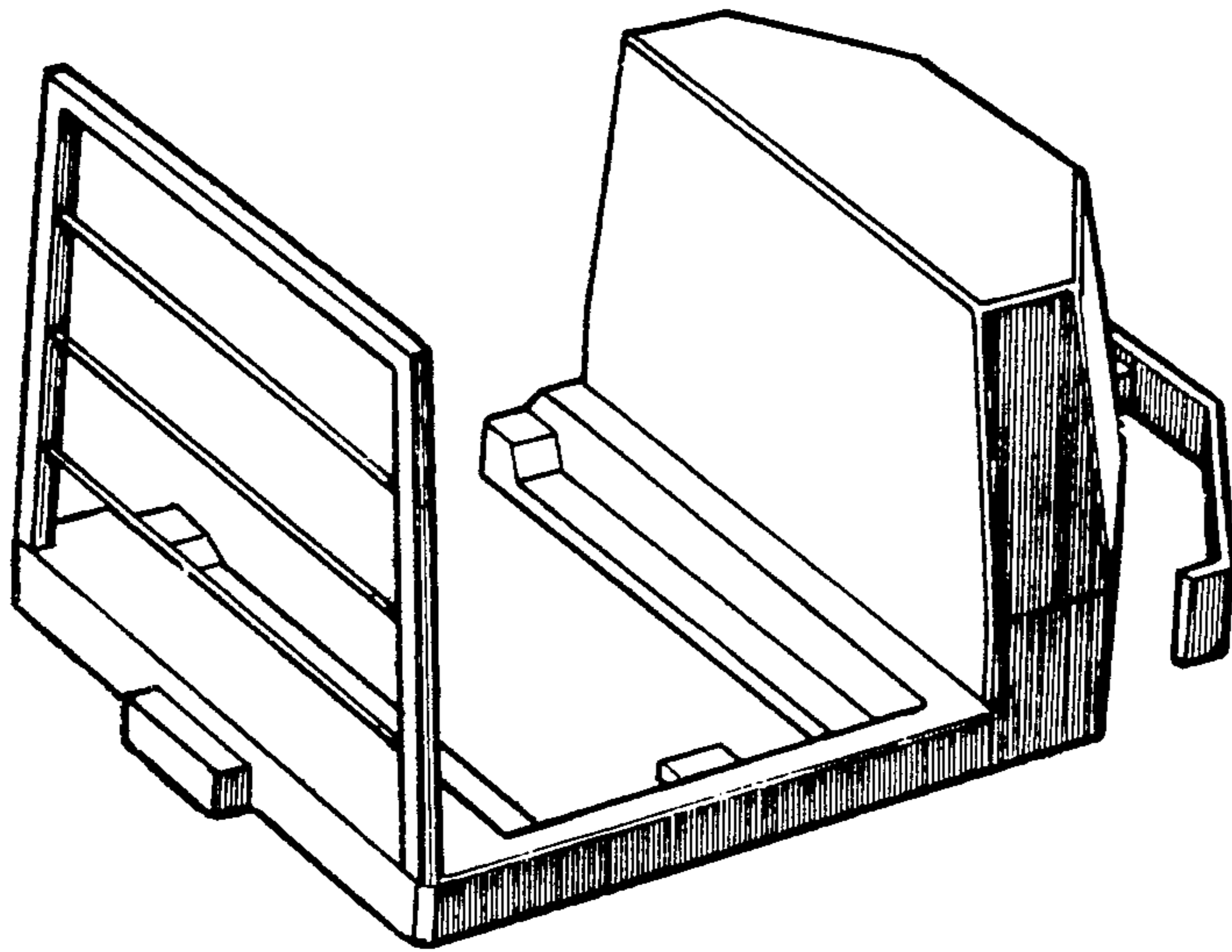


FIG. 2